

MAX 6" FROM CORNER

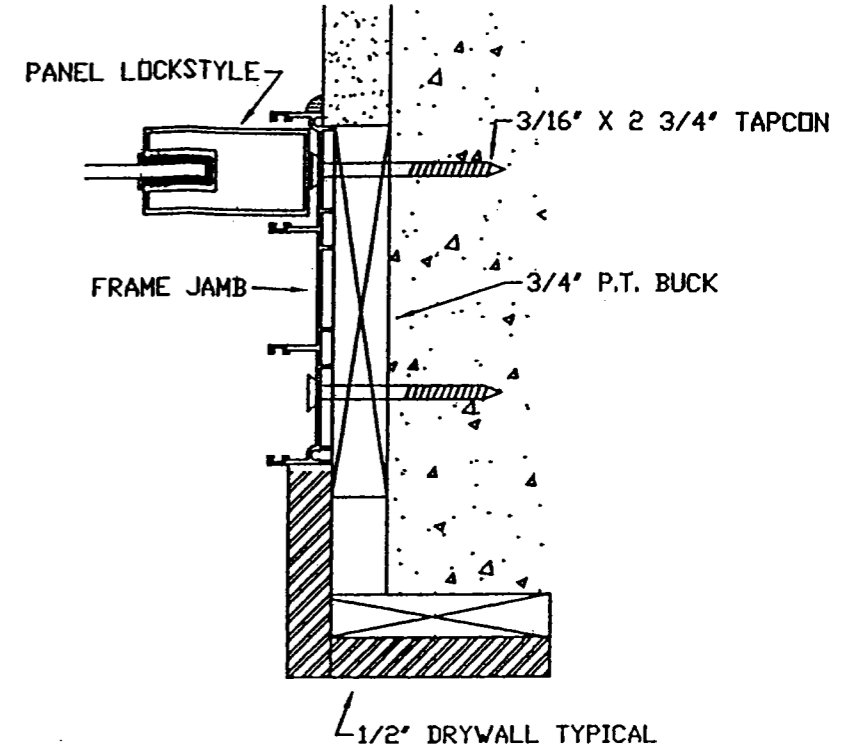
FLESHER WINDOWS 600 SERIES
12/0 X 8/0 SLIDING GLASS DOOR

MAX. 24" SPAN
TYPICAL BOTH
JAMBS

TRACK SET IN APPROX. 1/2" MUD

MIN. 3/4" RECESS

#10 X 1 STAINLESS SCREW



CENTRAL FLORIDA B.O.A.F.
MANUFACTURER NAME:
FLESHER WINDOW
MASTER FILE # 6

NOTES:

- 1) INSTALLATION OF WOOD BUCKS (BY OTHERS) TO BE EITHER 2X4 WITH #8 X 1 1/4" SCREWS OR 1X4 BUCK WITH 3/16" X 2 3/4" TAPCONS
- 2) MAXIMUM ALLOWABLE SHIM STACK IS 3/8"
- 3) APPLY SHIMS AT EACH FASTENER LOCATION AS NECESSARY.
- 4) FRAME TO BE SET IN A MIN. 3/4" RECESS USING A MUD SET OF APPROX. 1/2" THICKNESS
- 5) TRACK TO BE ANCORED WITH #10 X 1 STAINLESS SCREWS
- 6) FRAME MUST BE INSTALLED PLUMB AND LEVEL, 1/4" MAX TOL.
- 7) MINIMUM SCREW EMBEDMENT FOR 2X4 1"
- 8) MINIMUM TAPCON EMBEDMENT FOR 1X4 MASONRY 1 1/4"
- 9) REFER TO FASTENER CHART FOR ANCOR SPACING

FASTENER LOCATION CHART			
JAMBS		HEAD & TRACK	
6' 8" HIGH	10	16'	20
8' 0" HIGH	10	12'	16
		10'	14
		8'	12
		6'	10
		5' & 4'	8

John J. [Signature]
11/16/02

FLESHER WINDOWS INC DBA AAA ALUMINUM STAMPING LEHIGH ACRES FL.		
600 SERIES SLIDING GLASS DOOR INSTALLATION DETAIL		
DWG BY: ADG	DATE: 4/20/2002	SCALE: NTS