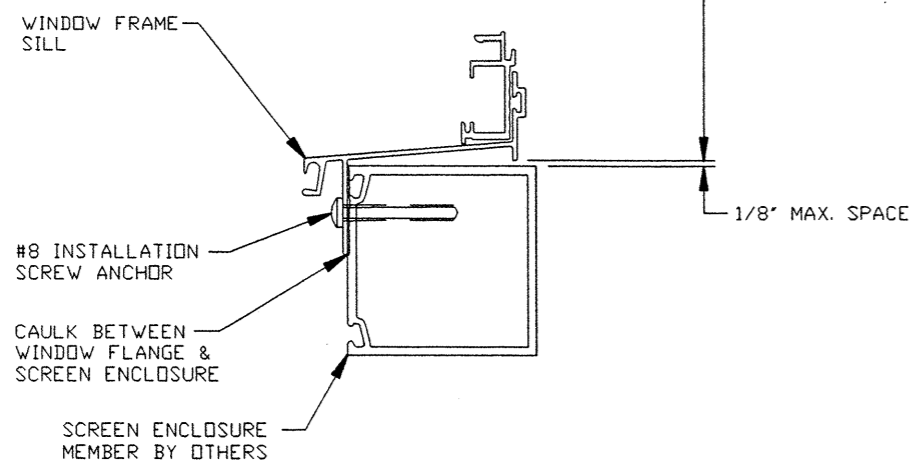
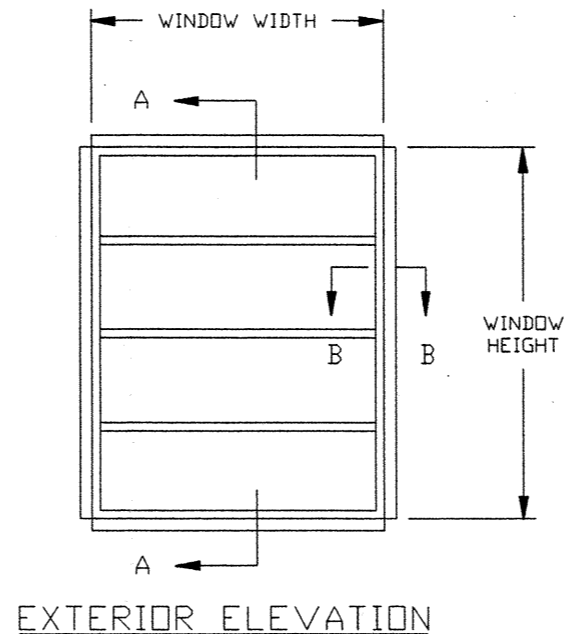


EXTERIOR

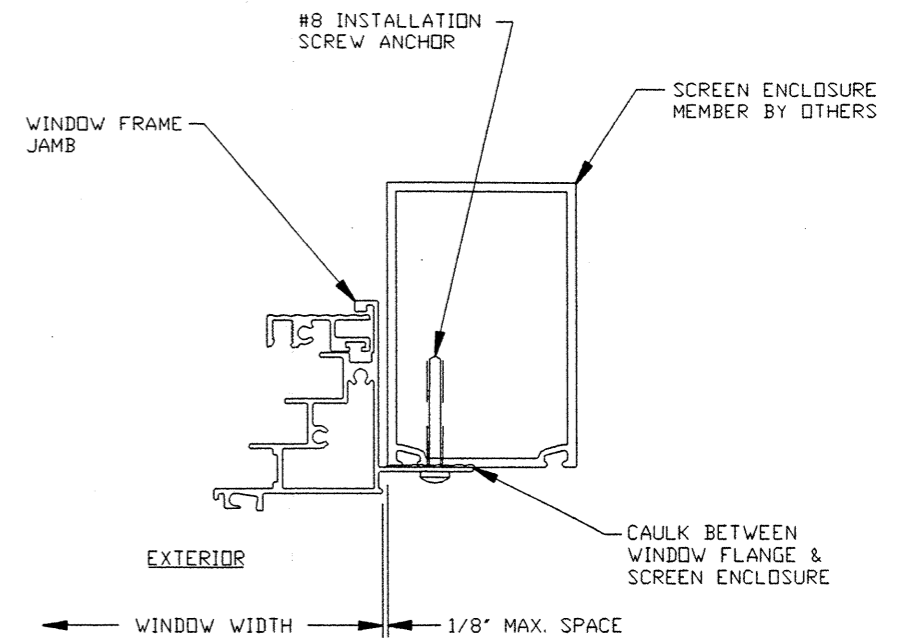
WINDOW HEIGHT



SECTION A-A



EXTERIOR ELEVATION



SECTION B-B

NOTES:

- 1) WINDOW FRAME MATERIAL ALUMINUM ALLOY 6063.
- 2) INSTALLATION ANCHORS, #8 SCREWS, MUST BE SPACED 6" MAX FROM CORNERS AND SPACED 24" O.C. MAX.
- 3) CAULK BEHIND WINDOW FLANGE WITH LATEX CAULK. APPLICATION OF LATEX CAULK MUST COMPLY WITH SEALANT MANUFACTURERS RECOMMENDATIONS.
- 4) WINDOW VENTS SHALL BE REMOVED WHEN WINDS EXCEED 75 MPH AS PER BUILDING CODE.

CUSTOM WINDOW SYSTEMS, INC.  
OCALA, FLORIDA

TITLE: 4 TRACK PIN O.S.M.  
INSTALLATION DETAIL

ENGINEER: MANUEL MARTINEZ	DRN: BB	DATE: 3/07/02
DISCIPLINE: CIVIL	SCALE: N.T.S.	DWG. NO: CWS-0121
FL. REG. NO: 47182	REV. LETTER:	SHEET: 1 OF 1

*Handwritten:* 444  
0A-B0C