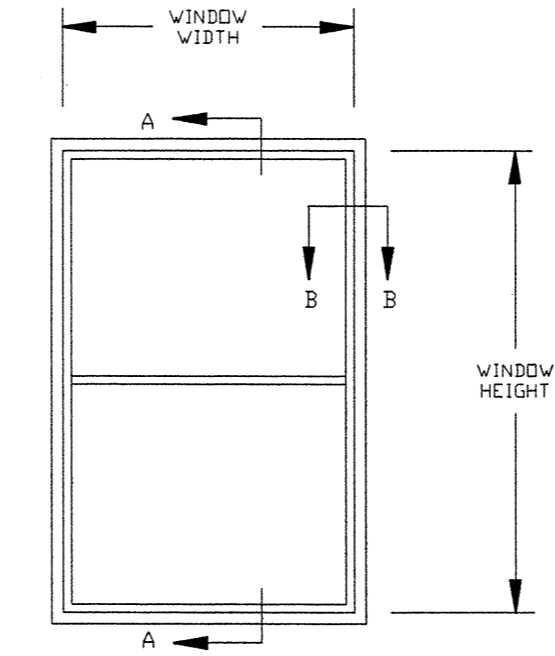
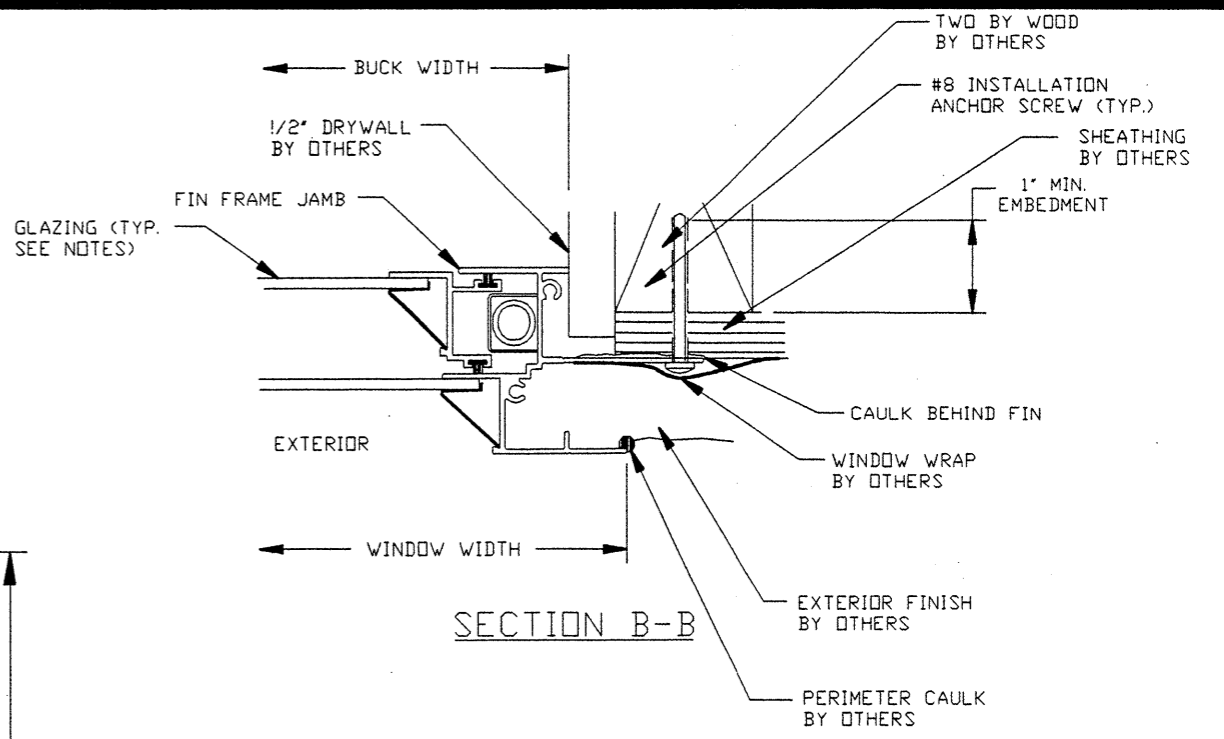


SECTION A-A



EXTERIOR ELEVATION

DESIGN PRESSURE CAPACITY = ±45.0 PSF



SECTION B-B

- NOTES:
- 1) WINDOW FRAME MATERIAL: ALUMINUM ALLOY 6063.
 - 2) USE LATEX CAULK BEHIND WINDOW FLANGE AT HEAD, JAMBS & SILL.
 - 3) USE LATEX CAULK FOR PERIMETER SEAL AROUND EXTERIOR OF WINDOW FLANGE.
 - 4) IF EXACT WINDOW SIZE IS NOT LISTED IN ANCHOR CHART, USE ANCHOR QUANTITY LISTED WITH NEXT LARGER SIZE.
 - 5) GLASS THICKNESS MAY VARY PER THE REQUIREMENTS OF ASTM E1300 GLASS CHARTS. SINGLE GLAZING IS SHOWN, INSULATING GLASS ALSO QUALIFIED.
 - 6) #8 INSTALLATION SCREWS MUST BE OF SUFFICIENT LENGTH TO ACHIEVE 1 IN. MIN. EMBEDMENT INTO WOOD FRAMING.
 - 7) DESIGN PRESSURE UP TO 35 PSF PLACE #8 SCREW ANCHORS 3' FROM END OF FIN MAX. & 24" O.C. MAX. FOR DESIGN PRESSURES FROM 36 PSF TO 45 PSF PLACE #8 SCREW ANCHORS 3' FROM END OF FIN MAX. & 18" O.C. MAX.

CUSTOM WINDOW SYSTEMS, INC.
OCALA, FLORIDA

TITLE: SERIES 3500 ALUMINUM SINGLE HUNG WINDOW
INSTALLATION DETAIL IN WOOD FRAME

ENGINEER: MANUEL MARTINEZ	DRN: BB	DATE: 3/12/02
DISCIPLINE: CIVIL	SCALE: N.T.S.	DWG. NO: CWS-0103
FL. REG. NO: 47182	REV. LETTER:	SHEET: 1 OF 1

REV.	DESCRIPTION	BY
▲	REMOVED CHART & ADDED NOTE 7	BB

Handwritten: 03-13-02