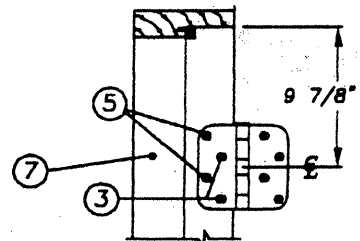
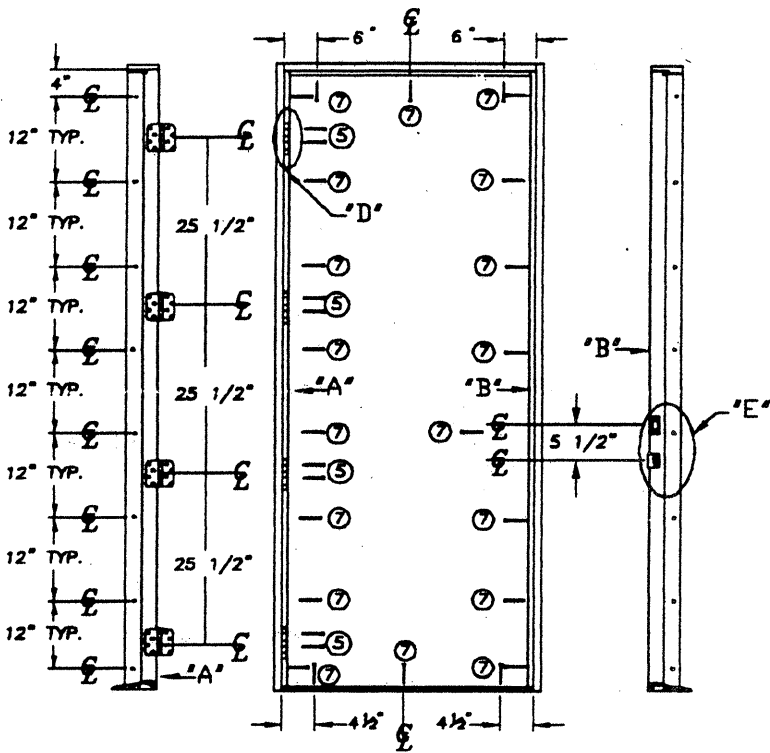
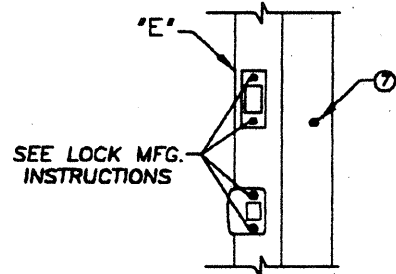


FINAL ANCHORING OF A WOOD FRAME UP TO 5'4" X 8'0"
SINGLE INSWING UNIT W/WO SIDELITES
PRODUCT ACCEPTANCE No.: DBSI226



"D" HINGE DETAIL

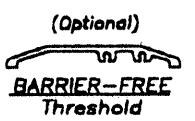
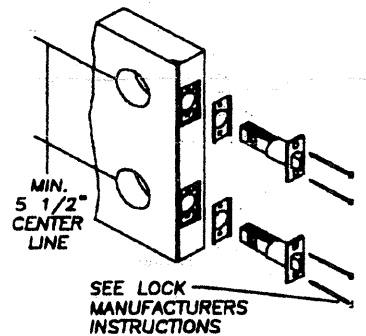
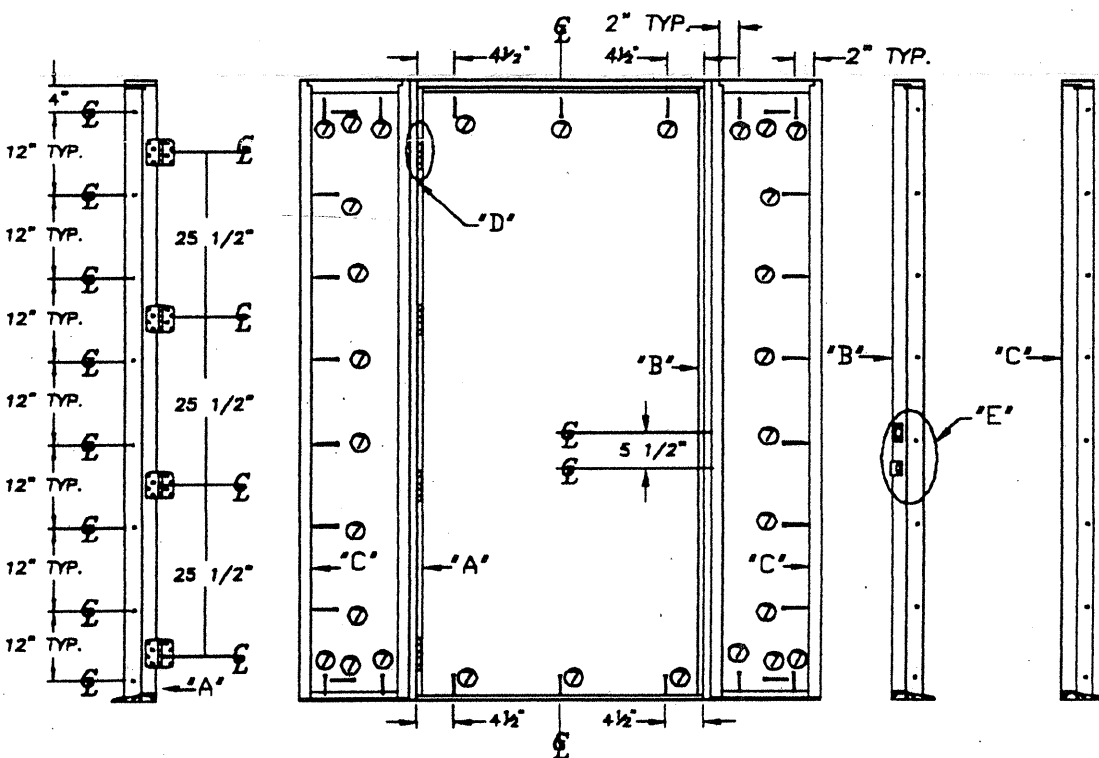
NOTE:
 WHEN SIDELITE IS ATTACHED TO HINGE JAMB A # (4) SCREW MUST BE USED INSTEAD OF A # (6) SCREW AND A # (7) SCREW PER SCREW SCHEDULE.



"E" LATCH DETAIL

NOTE:
 WHEN SIDELITE IS ATTACHED TO LATCH JAMB USE #8 X 1 3/4" PHILLIPS FLAT HEAD SCREWS IN STRIKE PLATES, AND # (4) SCREW IN PLACE OF # (7) FROM SCREW SCHEDULE.

SCREW SCHEDULE	
(3)	#10 X 5/8" PHILLIPS FLAT HEAD
(4)	#10 X 1 3/4" PHILLIPS FLAT HEAD
(5)	#10 X 2" PHILLIPS FLAT HEAD
(7)	#10 X 3" PHILLIPS FLAT HEAD



Size: up to 5'4" x 8'0"	Product Acceptance No: D8SI-226				
	Inswing (wood jamb)		Configuration: X, OXO, XO, OX		
	2'0	2'4	2'6	2'8	3'0
Single Opaque W/Sidelites	+99 -99	+89 -89	+84 -84	+78 -78	+70 -70
Single Glazed W/Sidelites	+99 -99	+89 -89	+84 -84	+53.34 -64.01	+50 -60
(Door does not meet Missile Impact)				+78 -78	+70 -70
Test # 210-2024.4,5,6,10,11,12				+53.34 -64.01	+50 -60

Mfg. by: Nan Ya Plastics / Plastpro Livingston, NJ 07039