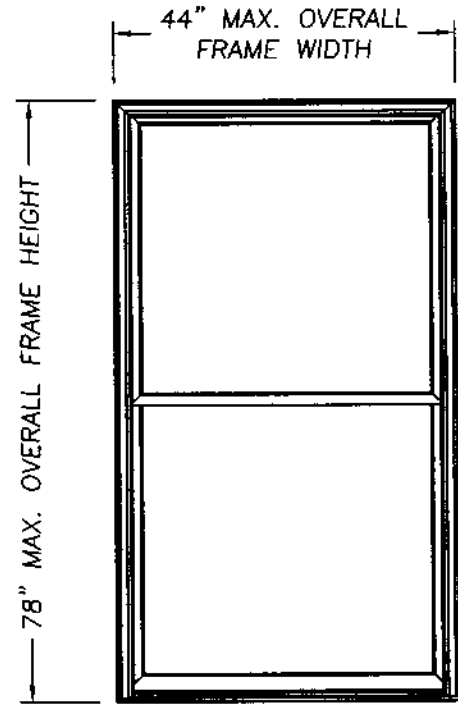


EAGLE WINDOW & DOOR

ALUMINUM CLAD DOUBLE HUNG TILT WOOD WINDOW

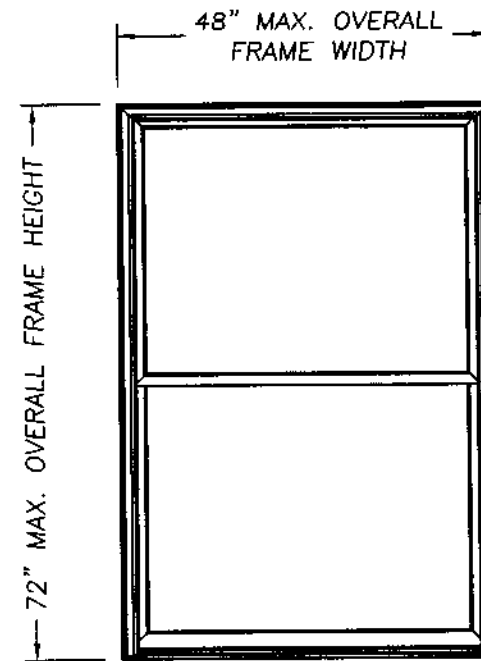


DESIGN PRESSURE RATING
POS. 47.0 NEG. 47.0

GLASS TABLE
5/8" INSULATED GLASS
1/8" ANN. - AIR SPACE- 1/8" ANN.

GENERAL NOTES

1. THIS PRODUCT IS DESIGNED TO COMPLY WITH THE FLORIDA BUILDING CODE.
2. PRODUCT ANCHORS SHALL BE AS LISTED AND SPACED AS SHOWN ON DETAILS.
3. WHEN THIS PRODUCT IS USED IN AN AREA REQUIRING WINDBORNE DEBRIS PROTECTION, FLORIDA BUILDING CODE APPROVED IMPACT RESISTANT SHUTTERS ARE REQUIRED.
4. MASONRY ANCHORING FOR 1x BUCK SEE SHEET 2 OF 3.
5. MASONRY ANCHORING FOR 2x BUCK SEE SHEET 3 OF 3.

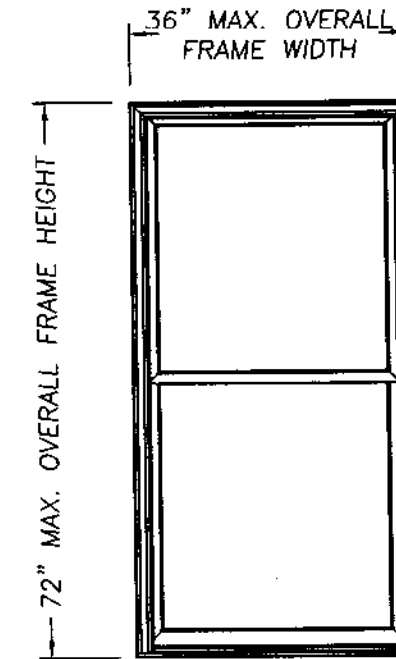


DESIGN PRESSURE RATING
POS. 47.0 NEG. 47.0

GLASS TABLE
5/8" INSULATED GLASS
1/8" ANN. - AIR SPACE- 1/8" ANN.

PRODUCT DESCRIPTION

1. ALUMINUM CLAD WINDOW WITH SASH CORNERS MORTISE AND TENON CONSTRUCTION.
2. THE WOOD FRAME IS LAMINATED VENEER LUMBER WITH SQUARE CUT CORNERS. THE CLADDING CORNERS ARE MITER CUT.



DESIGN PRESSURE RATING
POS. 60.0 NEG. 60.0

GLASS TABLE
5/8" INSULATED GLASS
1/8" ANN. - AIR SPACE- 1/8" ANN.

Lyndon F. Schmidt
 September 24, 2002

Lyndon F. Schmidt
 Florida P. E. No. 43409
 19506 French Lace Drive Lutz, FL 33558

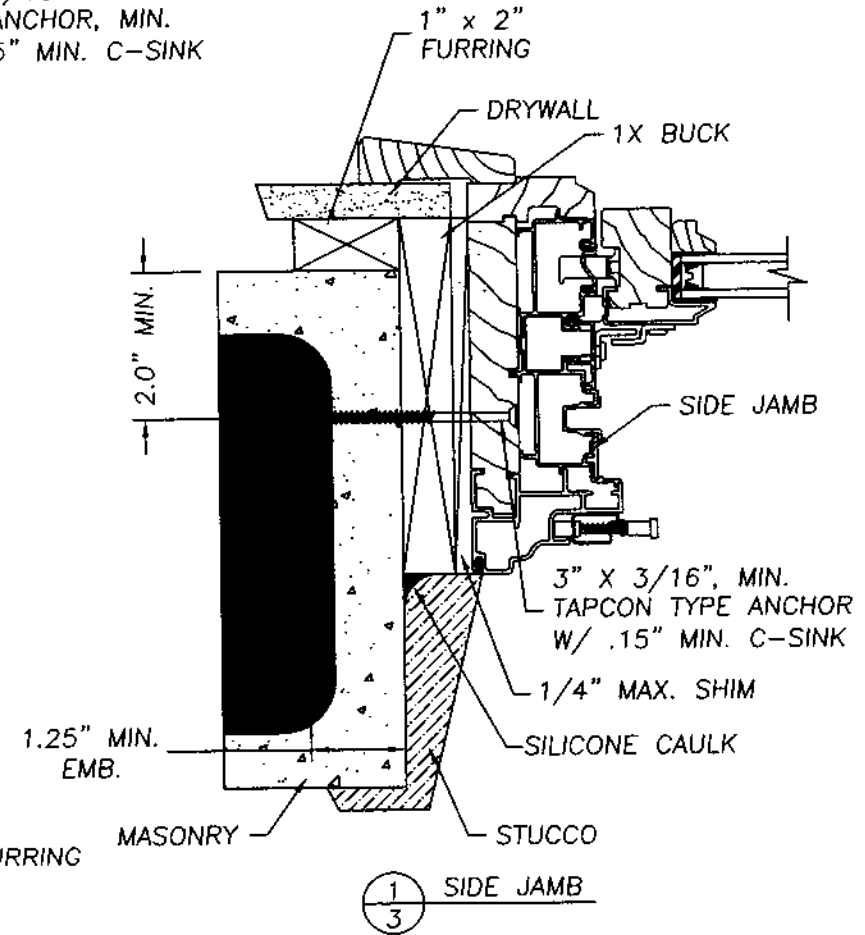
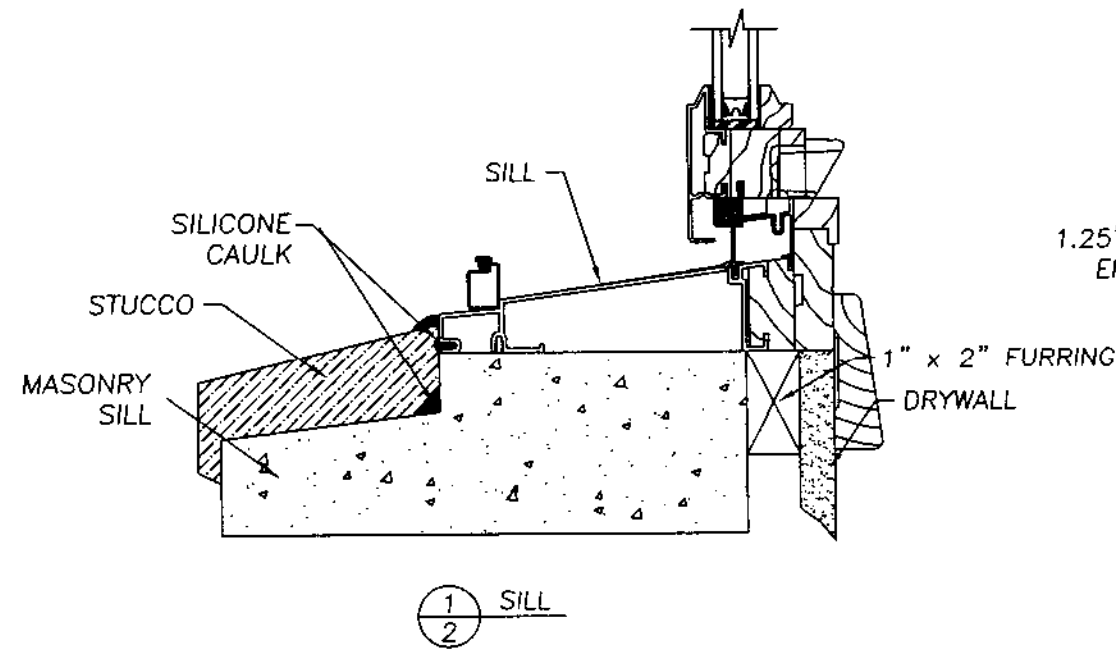
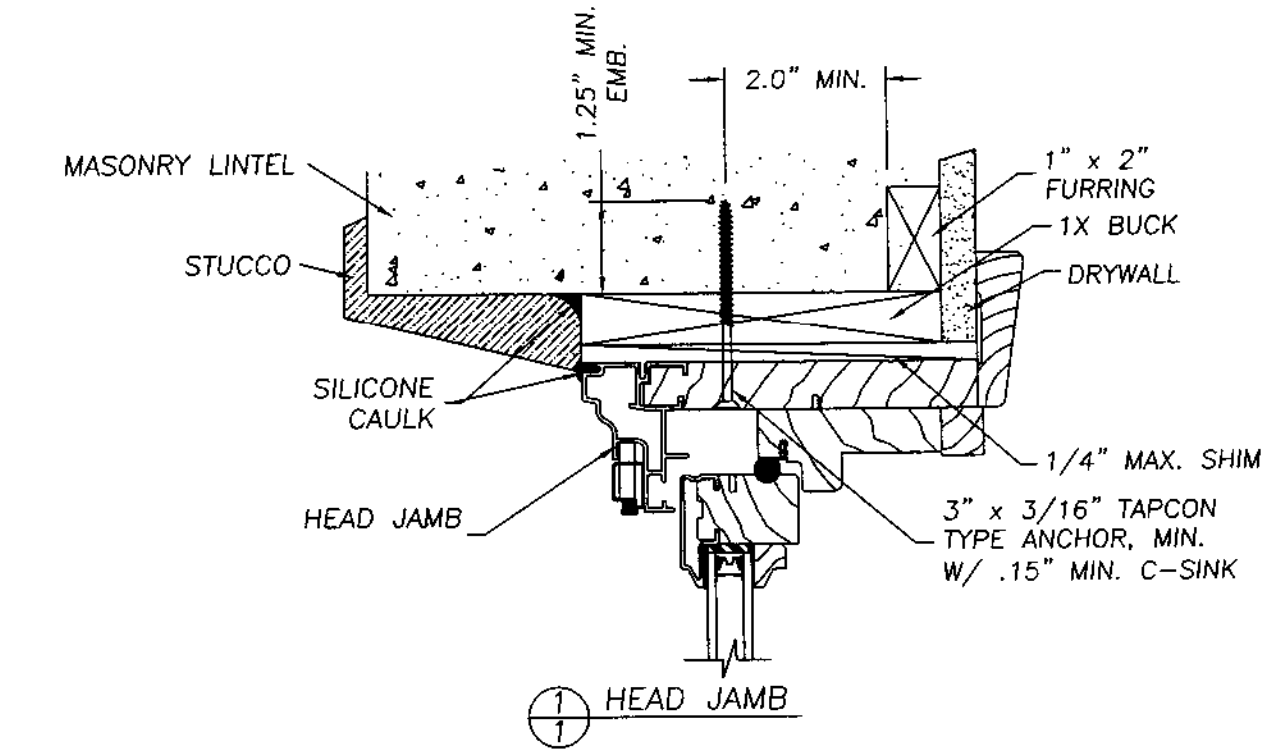
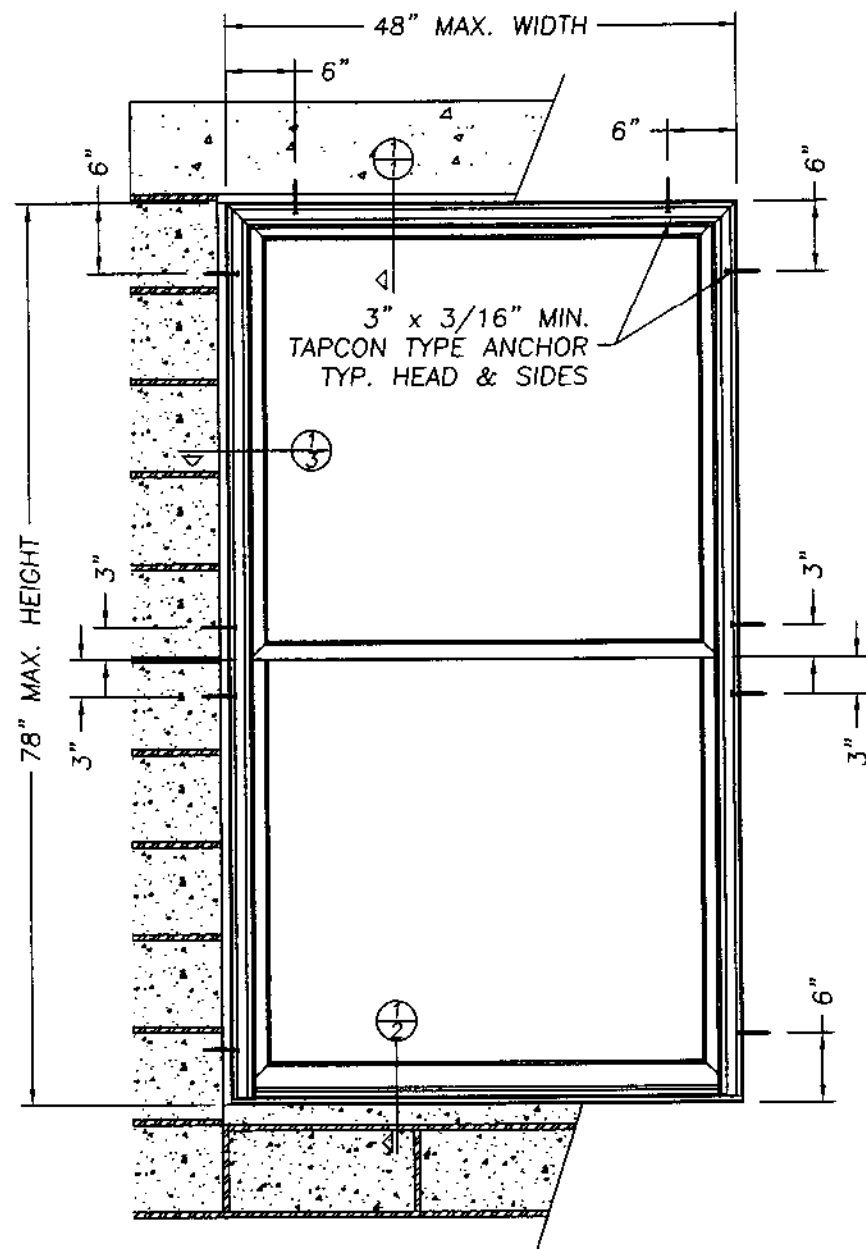
EAGLE WINDOW & DOOR, INC.
 2045 KERPER BOULEVARD
 DUBUQUE, IA 52004-1072
 PH. 319.556.4408

PRODUCT:
 EAGLE WINDOW & DOOR
 ALUMINUM CLAD DOUBLE HUNG
 TILT WOOD WINDOW
 PART OR ASSEMBLY:
 GENERAL NOTES &
 TYPICAL ELEVATIONS

NO.	DATE	BY	REVISIONS

RW BUILDING
 CONSULTANTS, INC.
 813.659.9197

DATE: 9/23/02
 SCALE: N.T.S.
 DWG. BY: WLN
 CHK. BY: RW
 DRAWING NO.:
 EGL-101-OC
 SHEET 1 OF 3



NOTE:

Adjust Tapcon anchor locations, if necessary, to maintain a minimum 2.0" clearance from mortar joints.

September 24, 2002

Lyndon F. Schmidt

Florida P. E. No. 437409

19506 French Lace Drive
Lutz, FL 33558

EAGLE WINDOW & DOOR, INC.

2045 KERPER BOULEVARD

DUBUQUE, IA 52004-1072

PH. 319.556.4408

ANCHORING CROSS SECTIONS

FOR 1X BUCK TO MASONRY

DOUBLE HUNG E-TILT SERIES

ALUMINUM CLAD WINDOW

RW BUILDING
CONSULTANTS, INC.
813.659.9197

DATE: 9/23/02

SCALE: N.T.S.

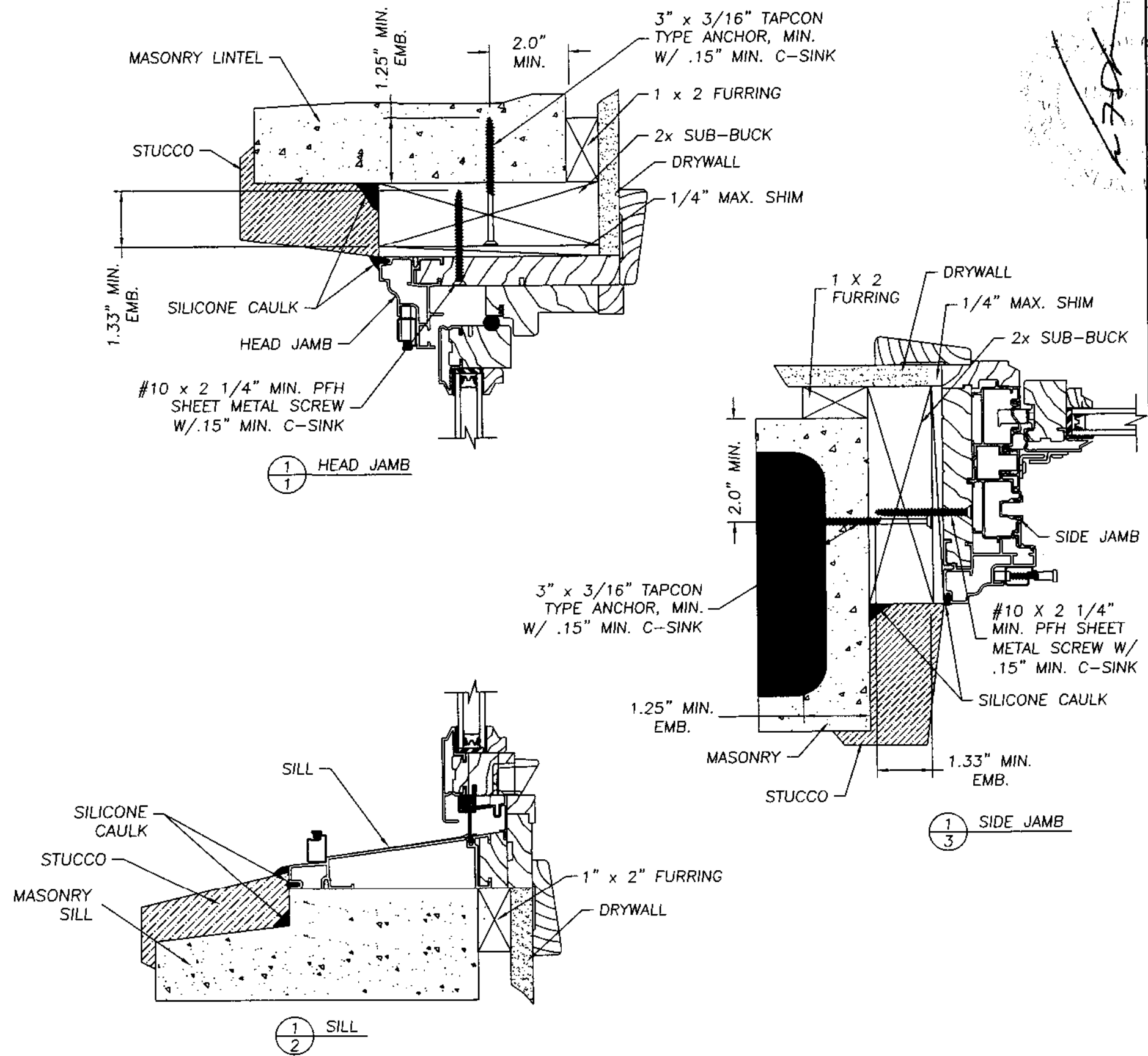
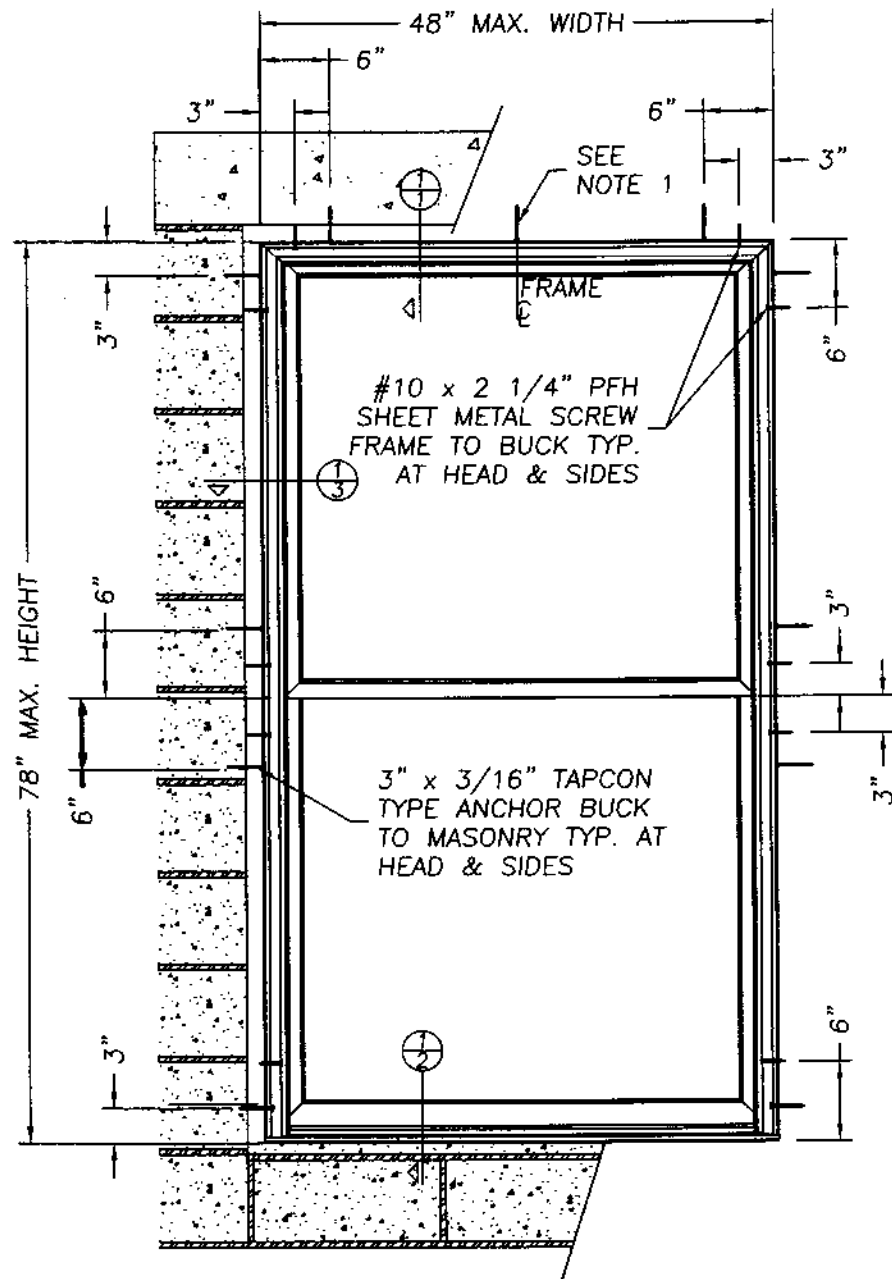
DWG. BY: WLN

CHK. BY: RW

DRAWING NO.:

EGL-101-OC

SHEET 2 OF 3



NOTE:

1. When installing a window that is 36" or less in overall width, eliminate the installation of this tapcon.
2. Adjust Tapcon anchor locations, if necessary, to maintain a minimum 2.0" clearance from mortar joints.

September 24, 2002
 Lyndon F. Schmidt
 Florida P. E. No. 43409
 19506 French Lace Drive
 Lutz, FL 33558

EAGLE WINDOW & DOOR, INC.
 2045 KERPER BOULEVARD
 DUBUQUE, IA 52004-1072
 PH. 319.556.4408

ANCHORING CROSS SECTIONS
 FOR 2X BUCK TO MASONRY
 DOUBLE HUNG E-TILT SERIES
 ALUMINUM CLAD WINDOW

RW BUILDING
 CONSULTANTS, INC.
 813.659.9197

DATE: 09/23/02
 SCALE: N.T.S.
 DWG. BY: WLN
 CHK. BY: RW
 DRAWING NO.: EGL-101-OC
 SHEET 3 OF 3