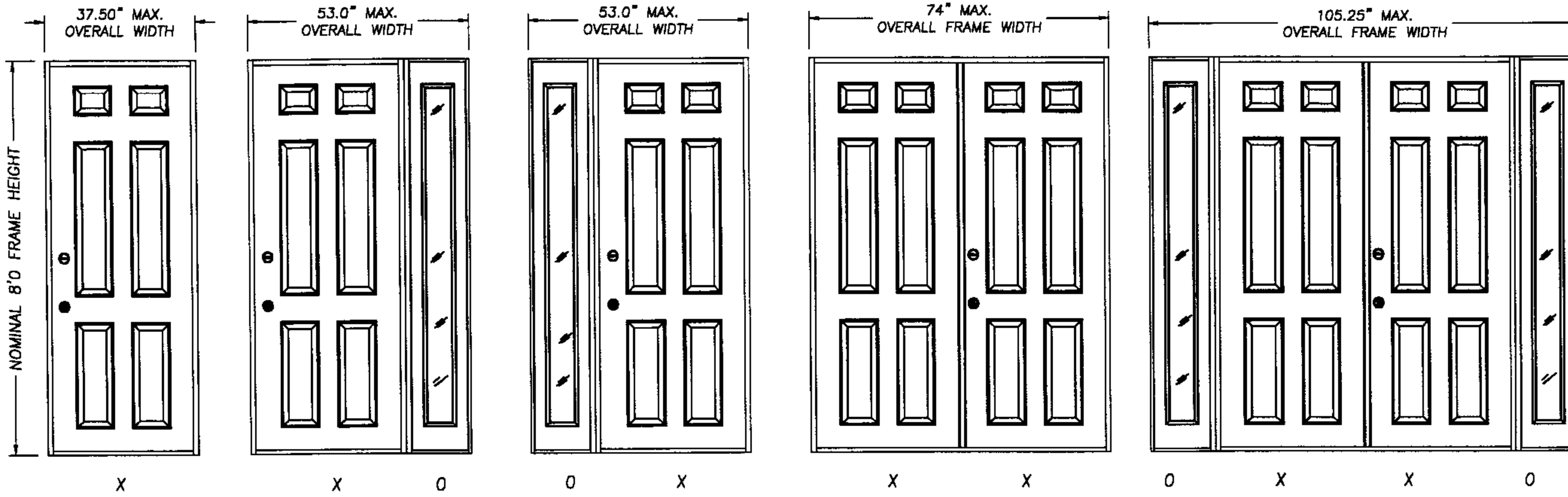


DoorCraft® ENERGY SAVER

WOOD EDGE OPAQUE INSULATED STEEL DOOR
OUT-SWING / IN-SWING 8-0 UNITS W/ & W/O SIDELITES



DESIGN PRESSURE RATING	
OUT / IN-SWING	POS. 60.0 NEG. 60.0

DESIGN PRESSURE RATING	
OUT / IN-SWING	POS. 60.0 NEG. 60.0

DESIGN PRESSURE RATING	
OUT / IN-SWING	POS. 60.0 NEG. 60.0

ASTRAGAL TYPE	DESIGN PRESSURE RATING
WINDJAMBER II BY GENESIS	OUT / IN-SWING POS. 60.0 NEG. 60.0
IMPERIAL ASTRAGAL SEE * BELOW	OUT / IN-SWING POS. 43.0 NEG. 43.0

ASTRAGAL TYPE	DESIGN PRESSURE RATING
WINDJAMBER II BY GENESIS	OUT / IN-SWING POS. 60.0 NEG. 60.0
IMPERIAL ASTRAGAL SEE * BELOW	OUT / IN-SWING POS. 43.0 NEG. 43.0

GENERAL NOTES

1. THIS PRODUCT IS DESIGNED TO COMPLY WITH THE FLORIDA BUILDING CODE.
2. PRODUCT ANCHORS SHALL BE AS LISTED AND SPACED AS SHOWN ON DETAILS.
3. THE SIDELITES REQUIRE WINDBORNE DEBRIS EXTERNAL PROTECTION AS DESCRIBED IN SECTION 1626.1 OF THE FLORIDA BUILDING CODE WHEN USED IN WINDBORNE DEBRIS AREAS.
4. FOR INSWING MASONRY ANCHORING SEE SHEET 2 OF 4.
5. FOR OUTSWING MASONRY ANCHORING SEE SHEET 3 OF 4.
6. FOR INSWING/OUTSWING WOOD STUD ANCHORING SEE SHEET 4 OF 4.

PRODUCT DESCRIPTION

1. THE DOOR FACE SHEETS ARE 24 GA. (0.020") MIN. THICKNESS.
2. THE STILES AND RAILS ARE WOOD CONSTRUCTION.
3. THE INTERIOR DOOR CAVITY IS EXPANDED POLYSTYRENE.
4. THE SIDELITE GLAZING IS 0.5" INSULATED GLASS BY ODL.
5. THE WOOD JAMBS ARE A MIN. 4-9/16".
6. THE THRESHOLD IS AN ALUMINUM BUMP FACE TYPE (OUTSWING) OR AN ALUMINUM SADDLE TYPE (INSWING).
- * 7. THE IMPERIAL ASTRAGAL USES A 9.0" LONG x 0.3125" DIA. ASTRAGAL ROD TOP & BOTTOM, AND (5) 4.5" LONG x 0.5625" THK. ALUMINUM ROD SLIDE BARS. THERE IS (1) ALUMINUM BAR TOP & BOTTOM & (3) IN THE CENTER.
8. ALL LATCHBOLT AND DEADBOLT HARDWARE MUST BE CYLINDRICAL GRADE II WITH A 161 EDGE PREP AND A MINIMUM 1.0" DEADBOLT THROW.

Lyndon F. Schmidt
 Florida P. E. No. 43409
 19506 French Lose Drive Lutz, FL 33558
 JUNE 28, 2002

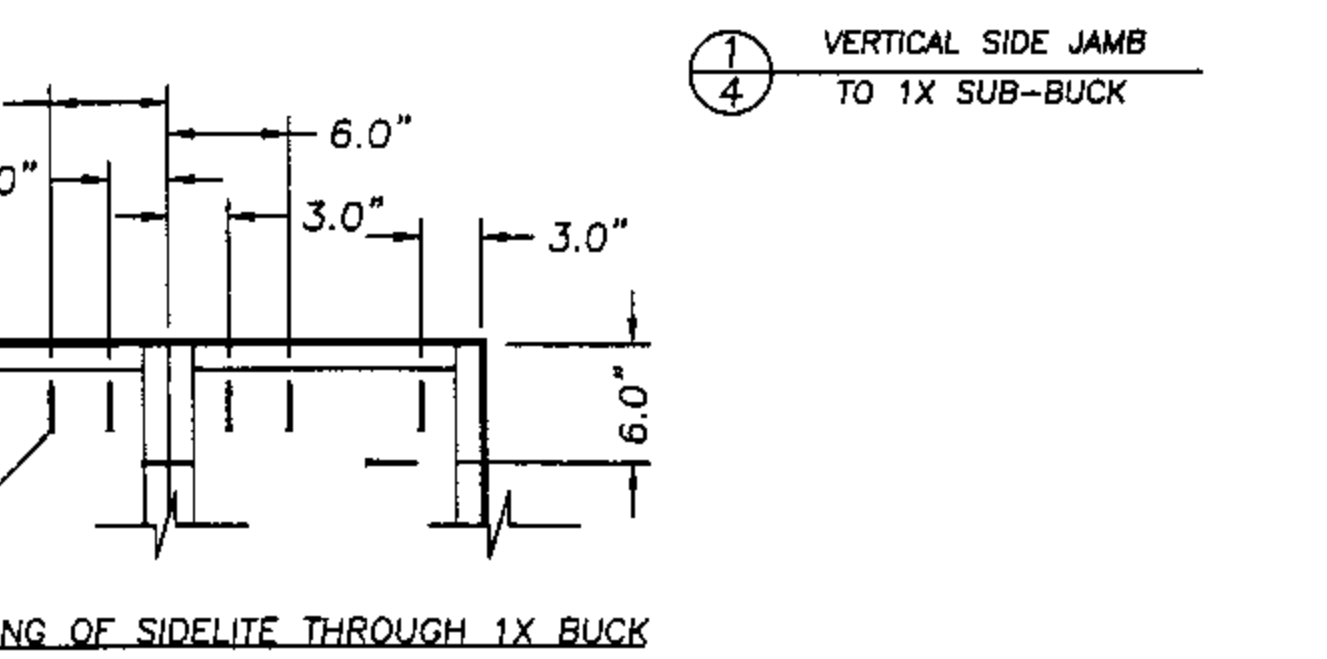
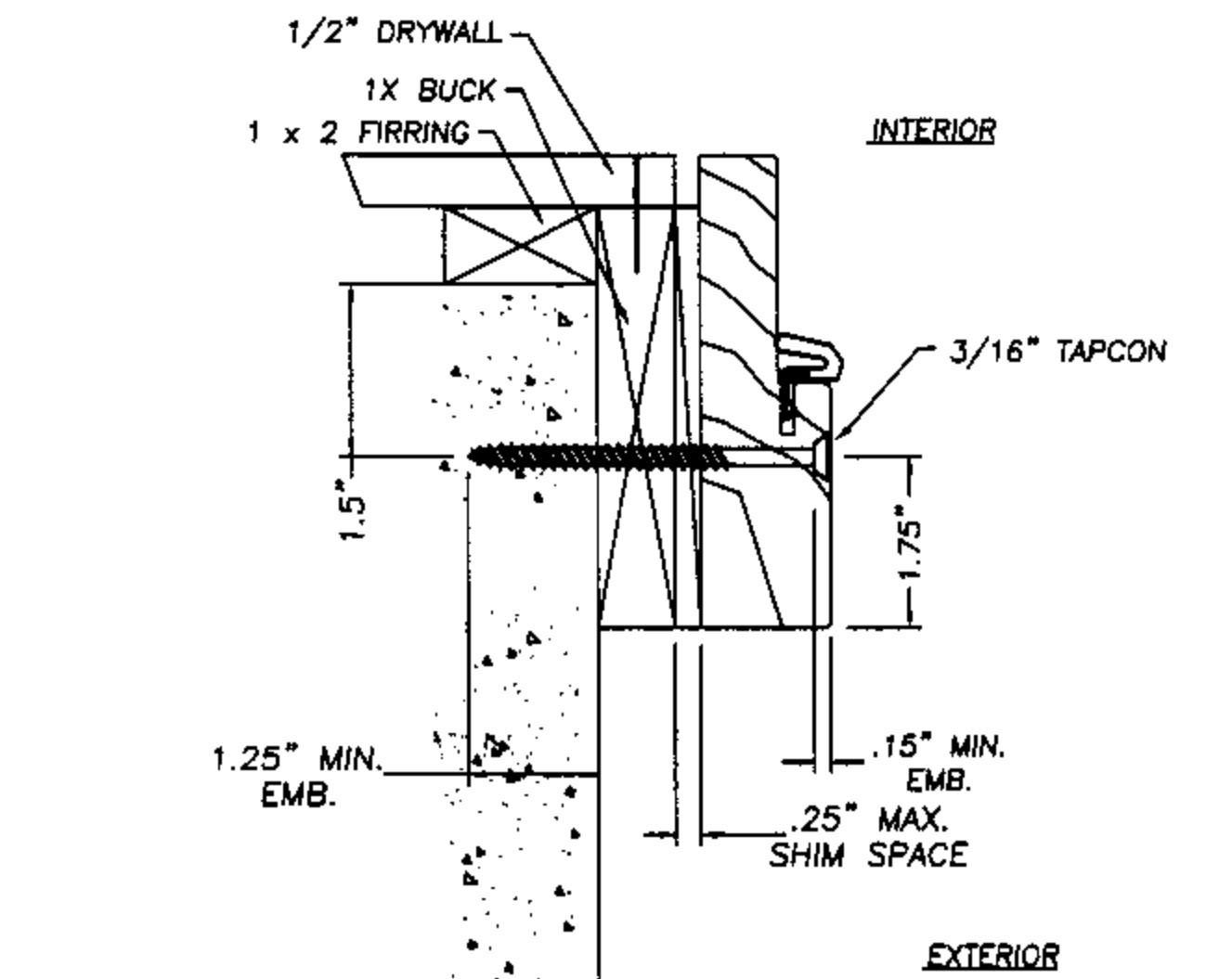
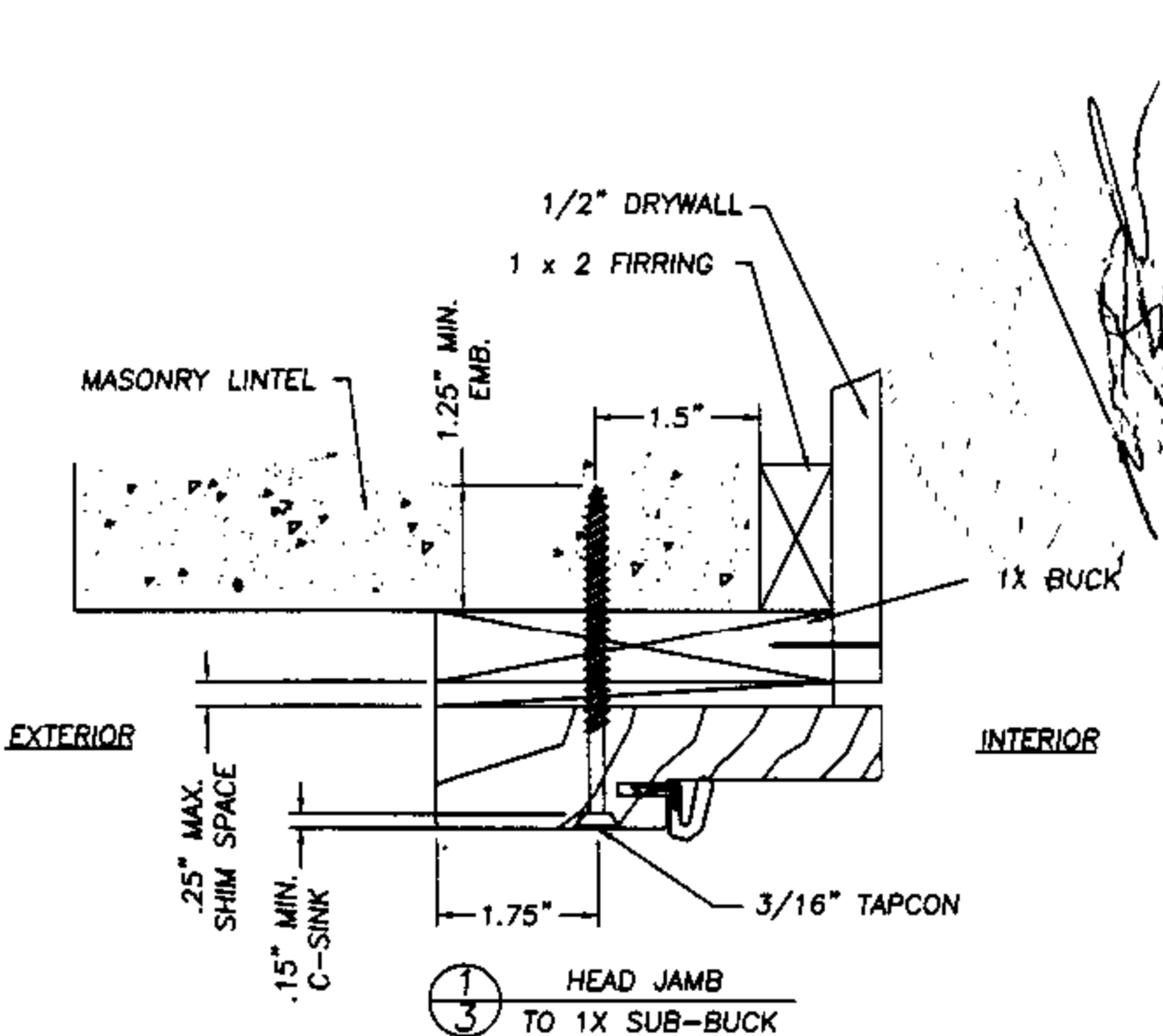
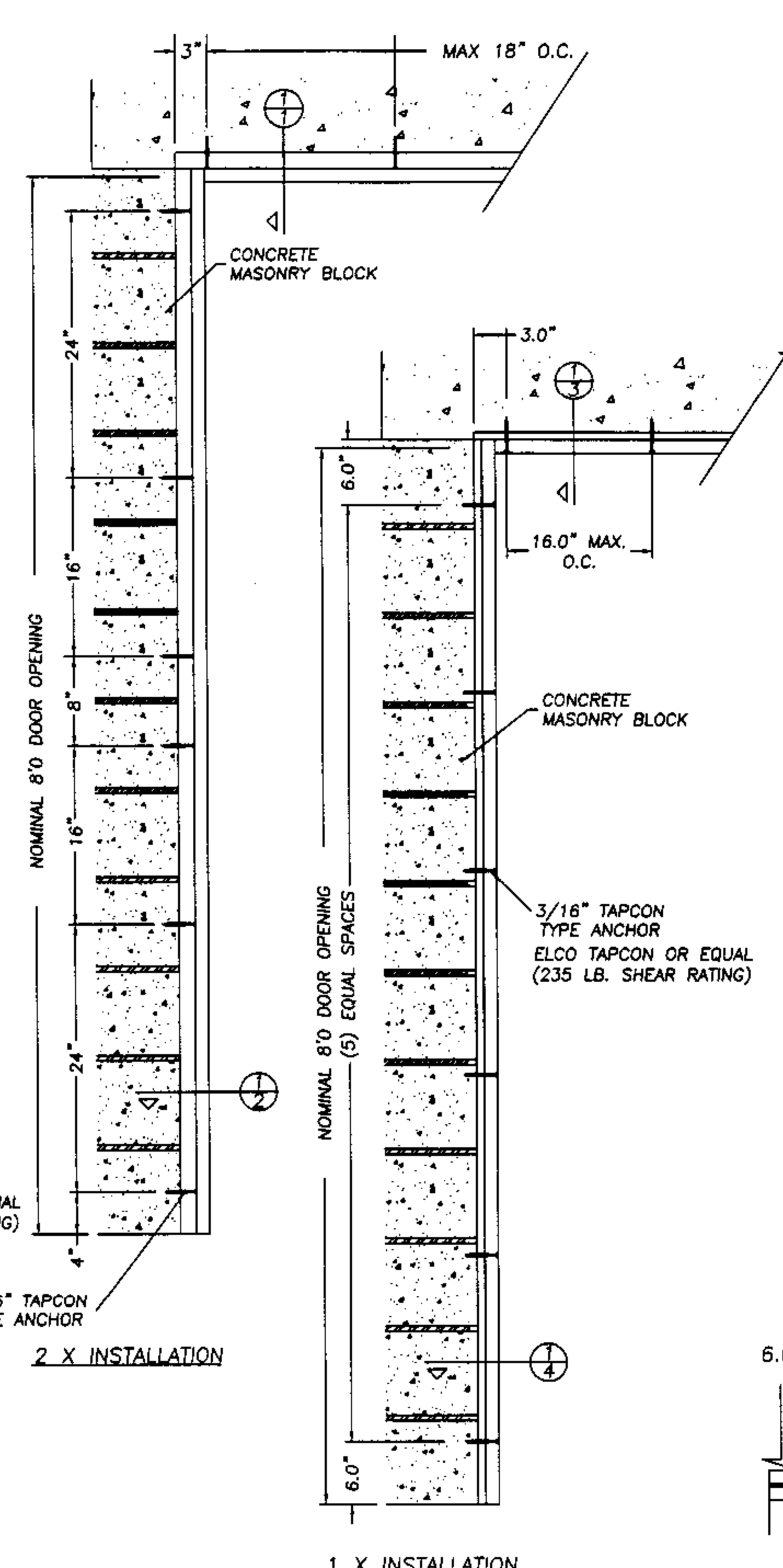
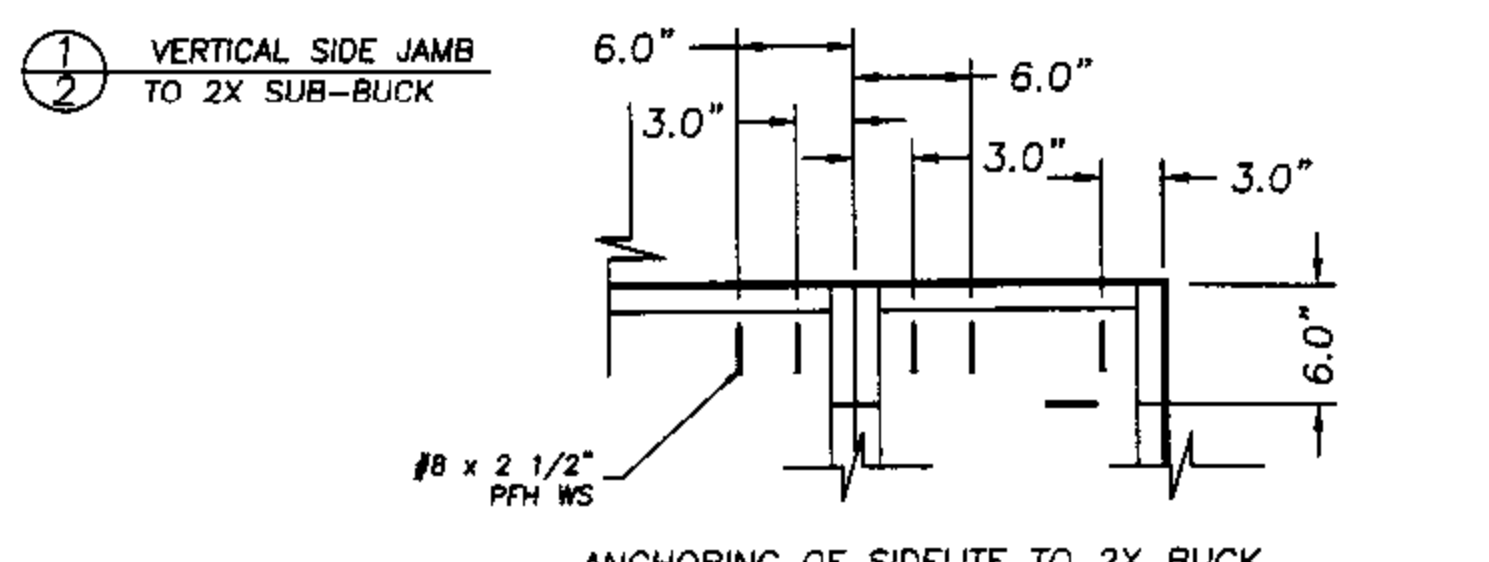
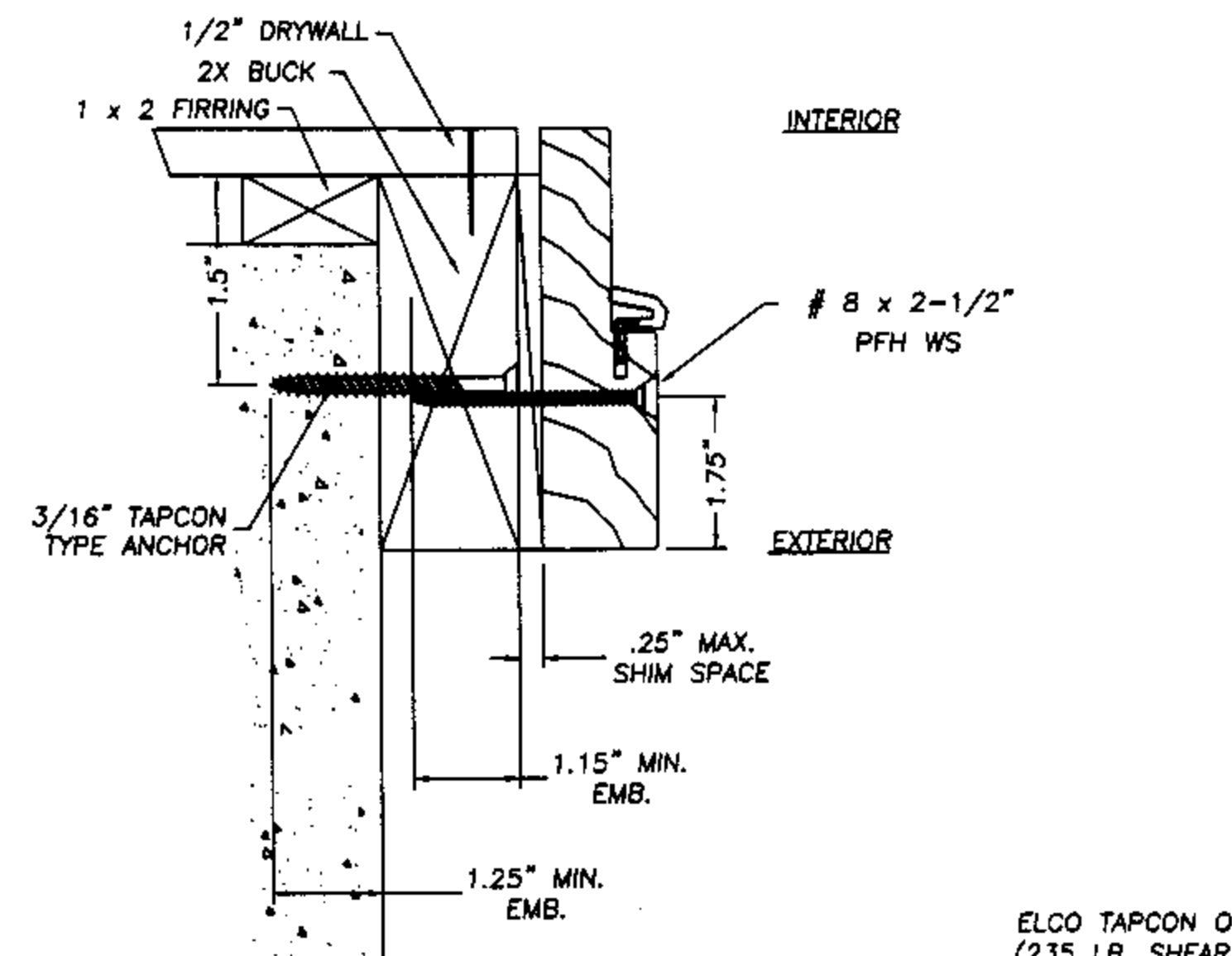
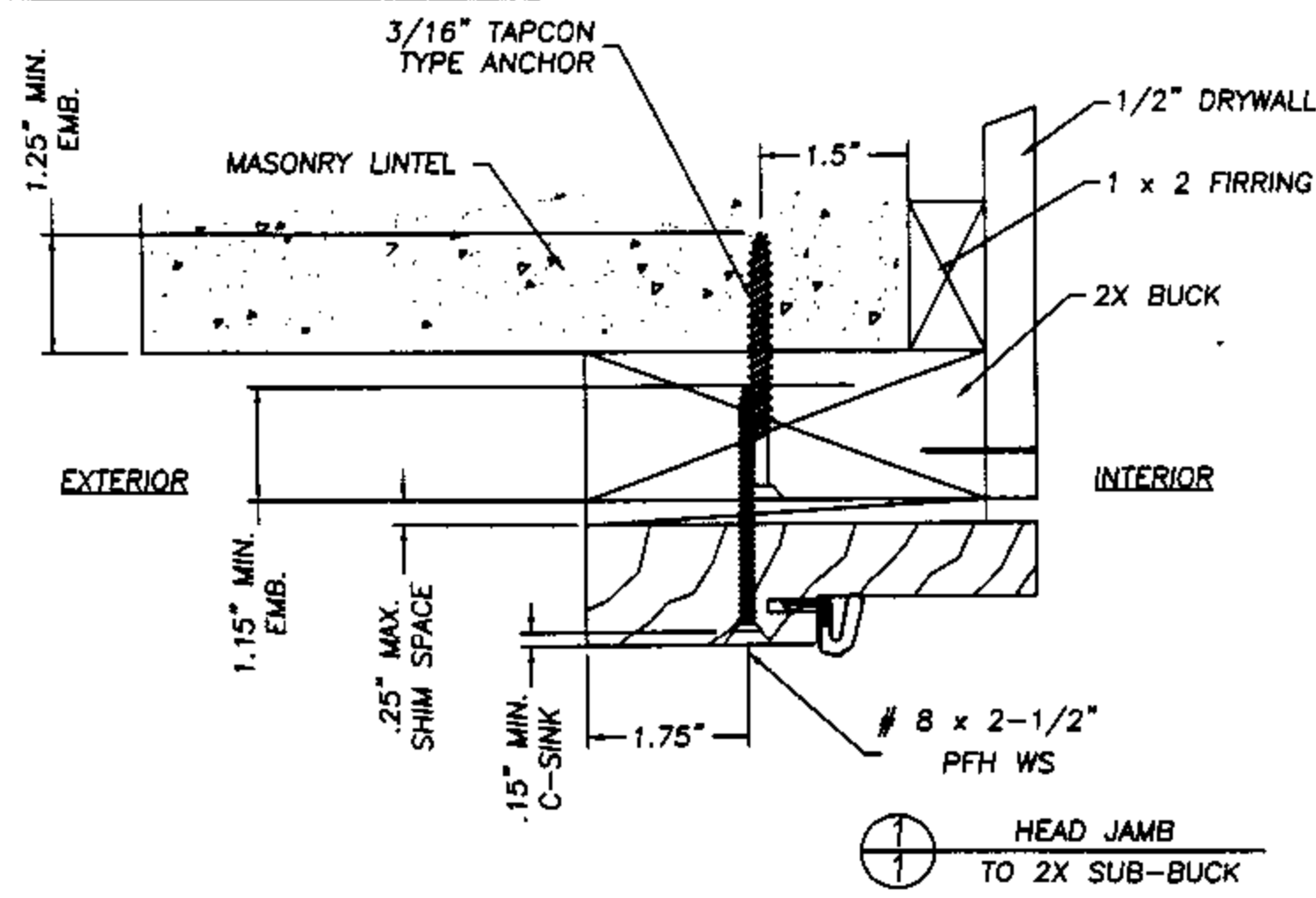
JELD-WEN, INC.
 31725 HIGHWAY 97 NORTH
 CHILOQUIN, OR. 97624
 PH. 541.783.2057

PRODUCT: ENERGY SAVER
 WOOD EDGE STEEL DOOR
 OPAQUE W/WO SIDELITES
 PART OR ASSEMBLY:
 GENERAL NOTES &
 TYPICAL ELEVATIONS

NO.	DATE	ADDED HARDWARE NOTE	TJH	BY	REVISIONS
1	6/28/02				

RW BUILDING
 CONSULTANTS, INC.
 813.659.9197

DATE: 6/12/02
 SCALE: N.T.S.
 DWG. BY: WLN
 CHK. BY: RW
 DRAWING NO.: JW-103-OC
 SHEET 1 OF 4



NOTE:
A minimum clearance of 2.0" for all anchoring screws to mortar joints must be maintained.

DATE: 6/12/02
SCALE: NTS
DWG. BY: WLN
CHK. BY: RW
DRAWING NO.: JW-103-OC
SHEET 2 OF 4

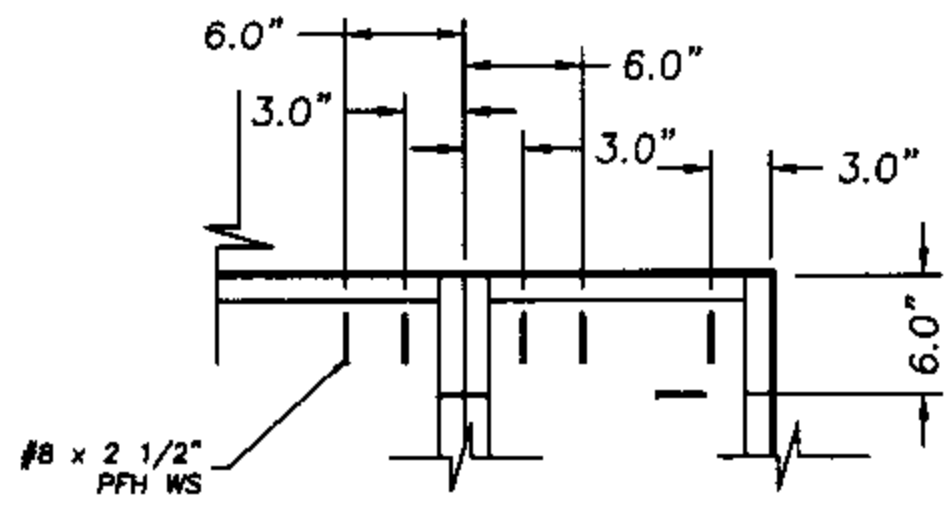
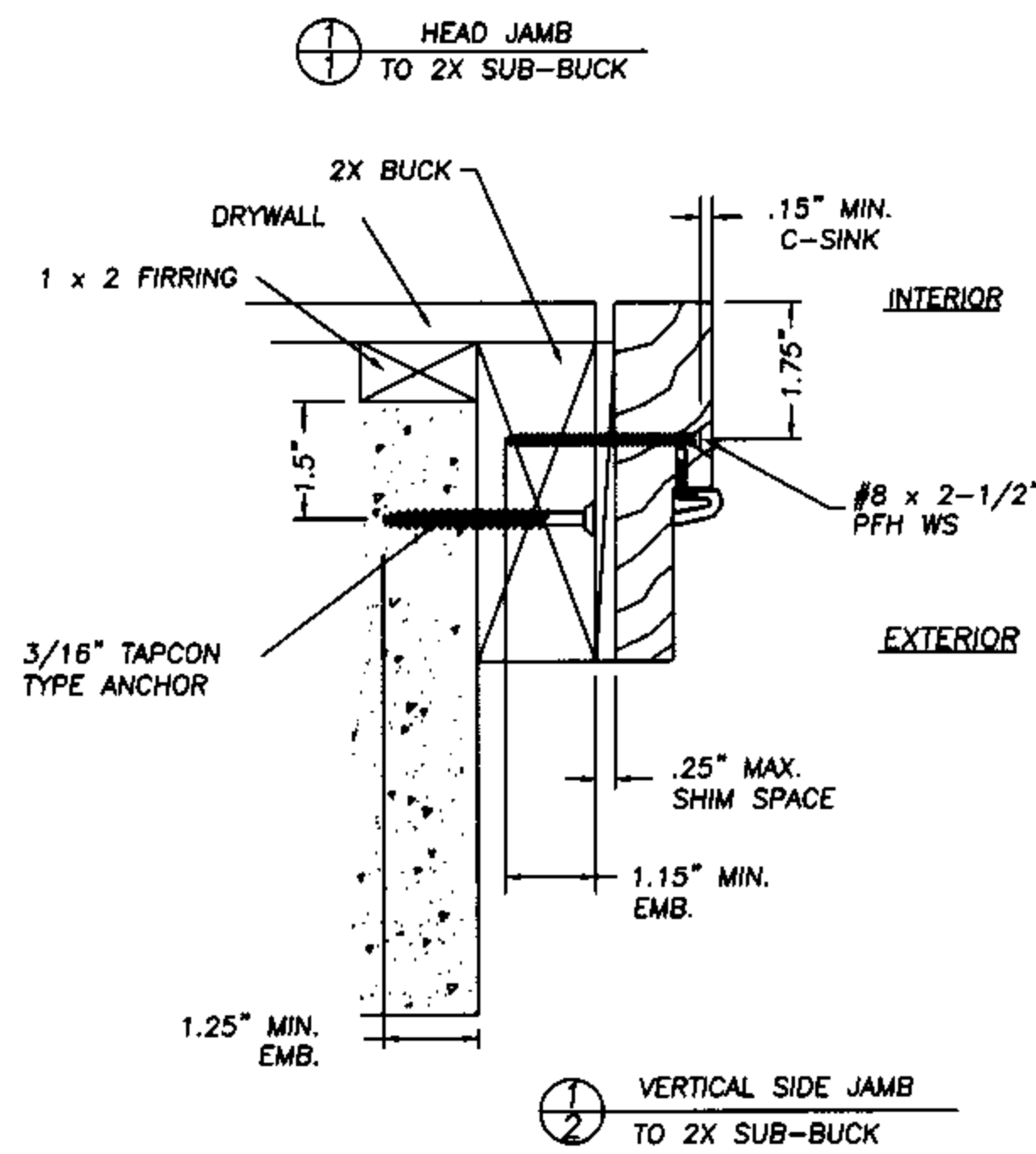
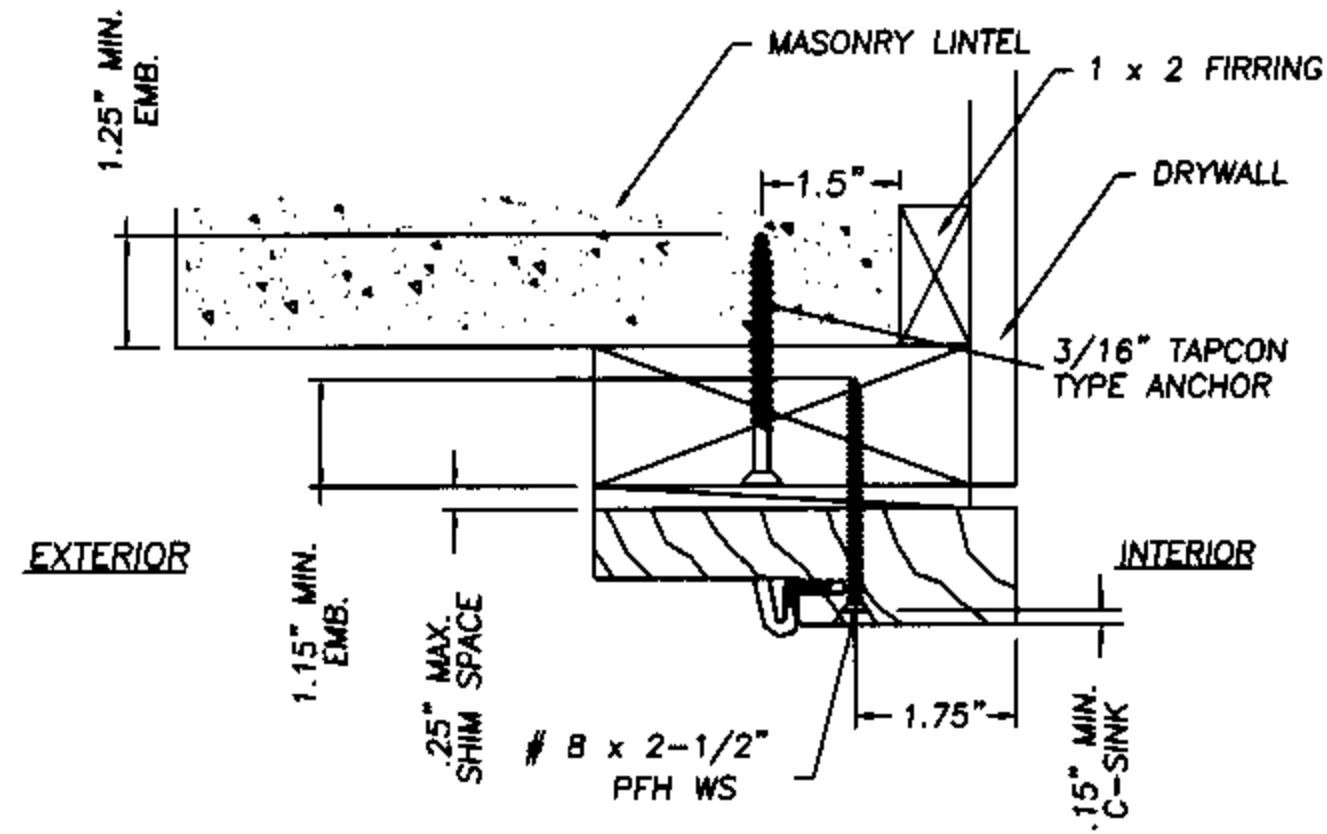
JELD-WEN, INC.
31725 HIGHWAY 97 NORTH
CHILOQUIN, OR. 97624
PH. 541.783.2057

ANCHOR CROSS SECTIONS
MASONRY 8'0"
IN-SWING WOOD FRAME

RW BUILDING CONSULTANTS, INC.
813.659.9197

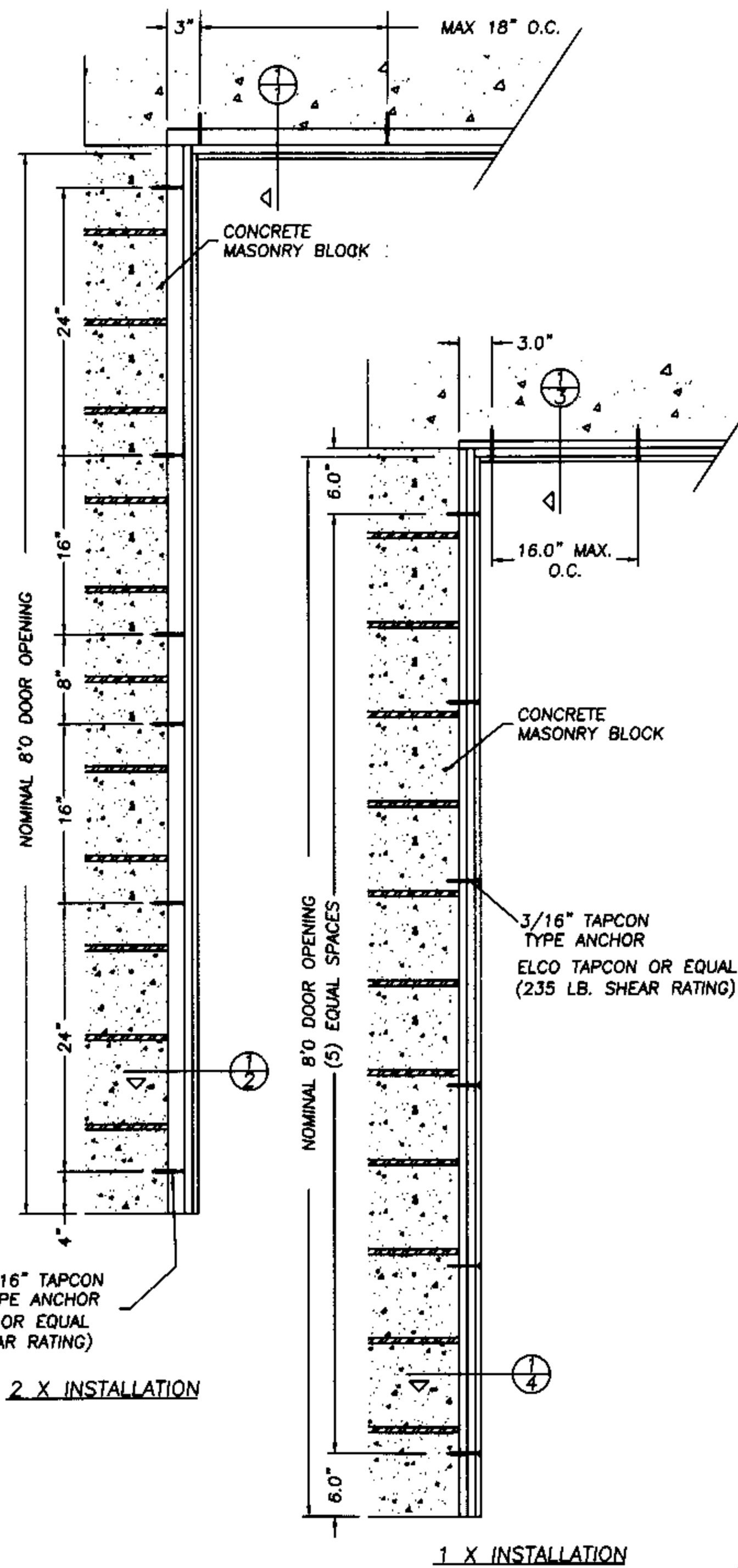
DATE: 6/12/02
SCALE: NTS
DWG. BY: WLN
CHK. BY: RW
DRAWING NO.: JW-103-OC
SHEET 2 OF 4

DATE: 28, 2002
Lyndon F. Schmidt
Florida P. E. No. 43409
19506 French Lace Drive
Lutz, FL 33558



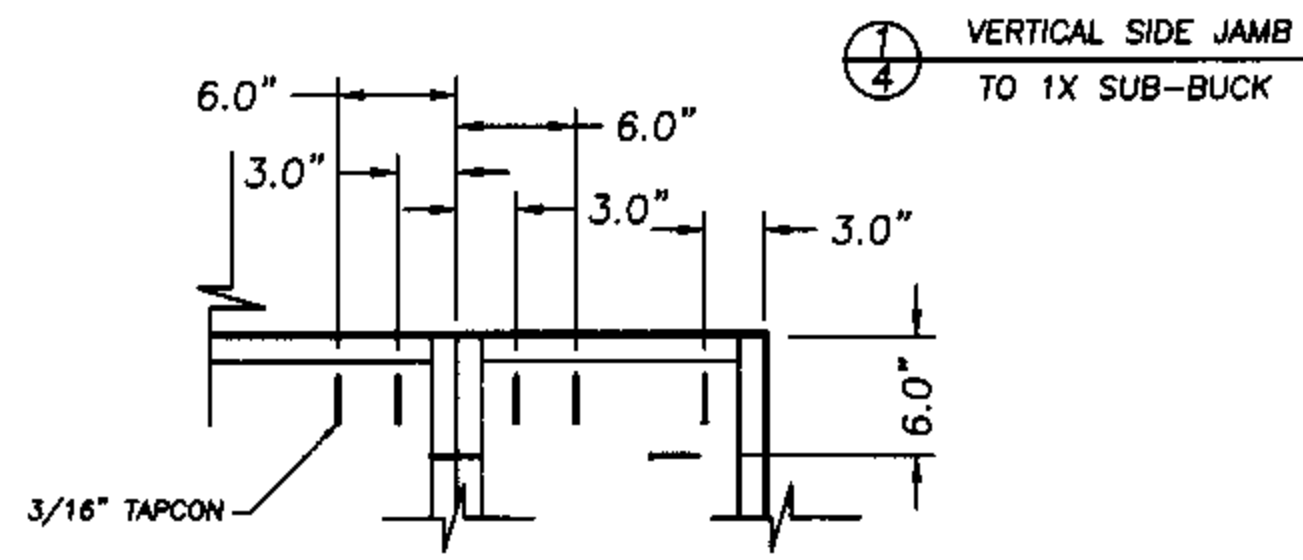
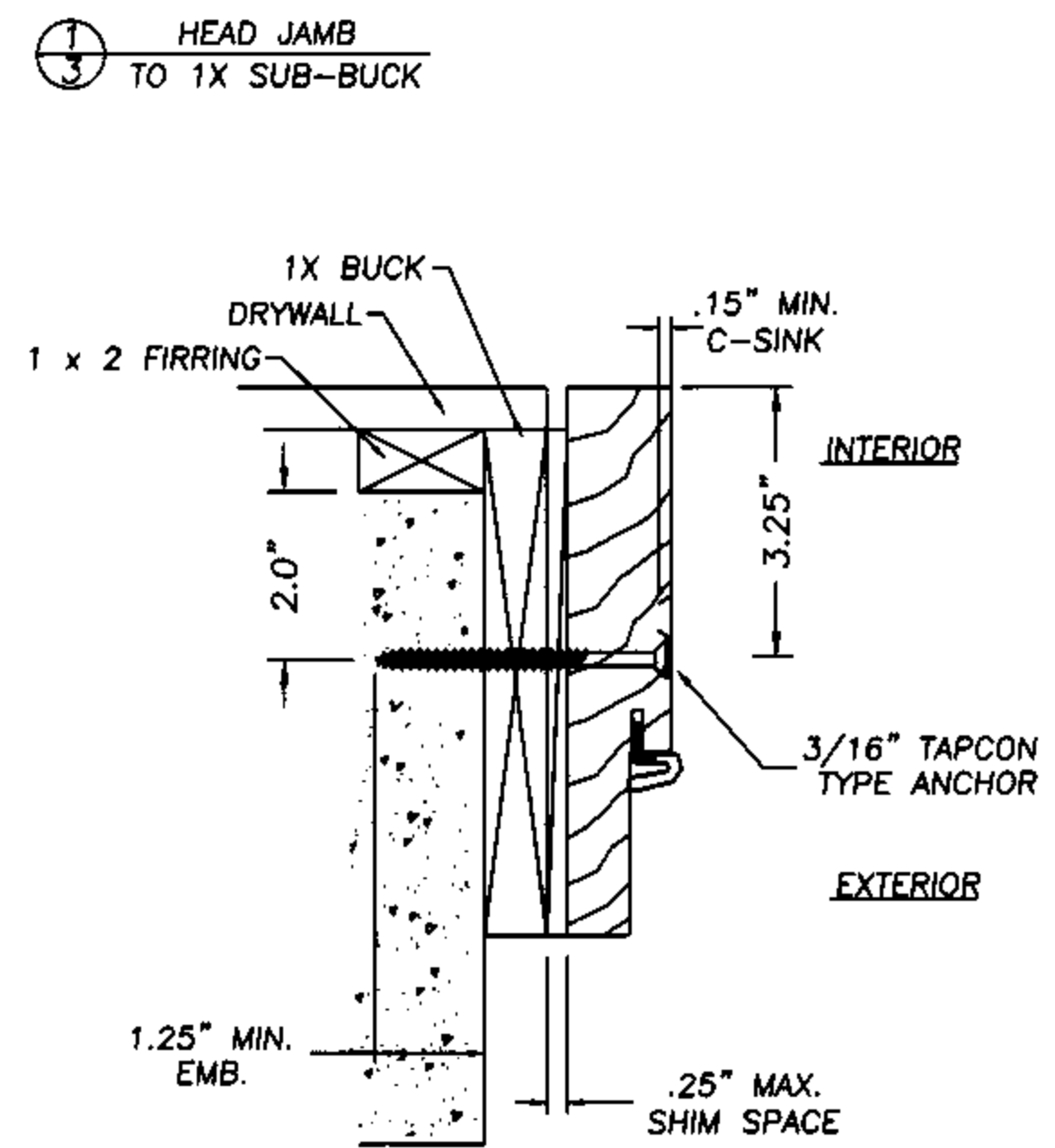
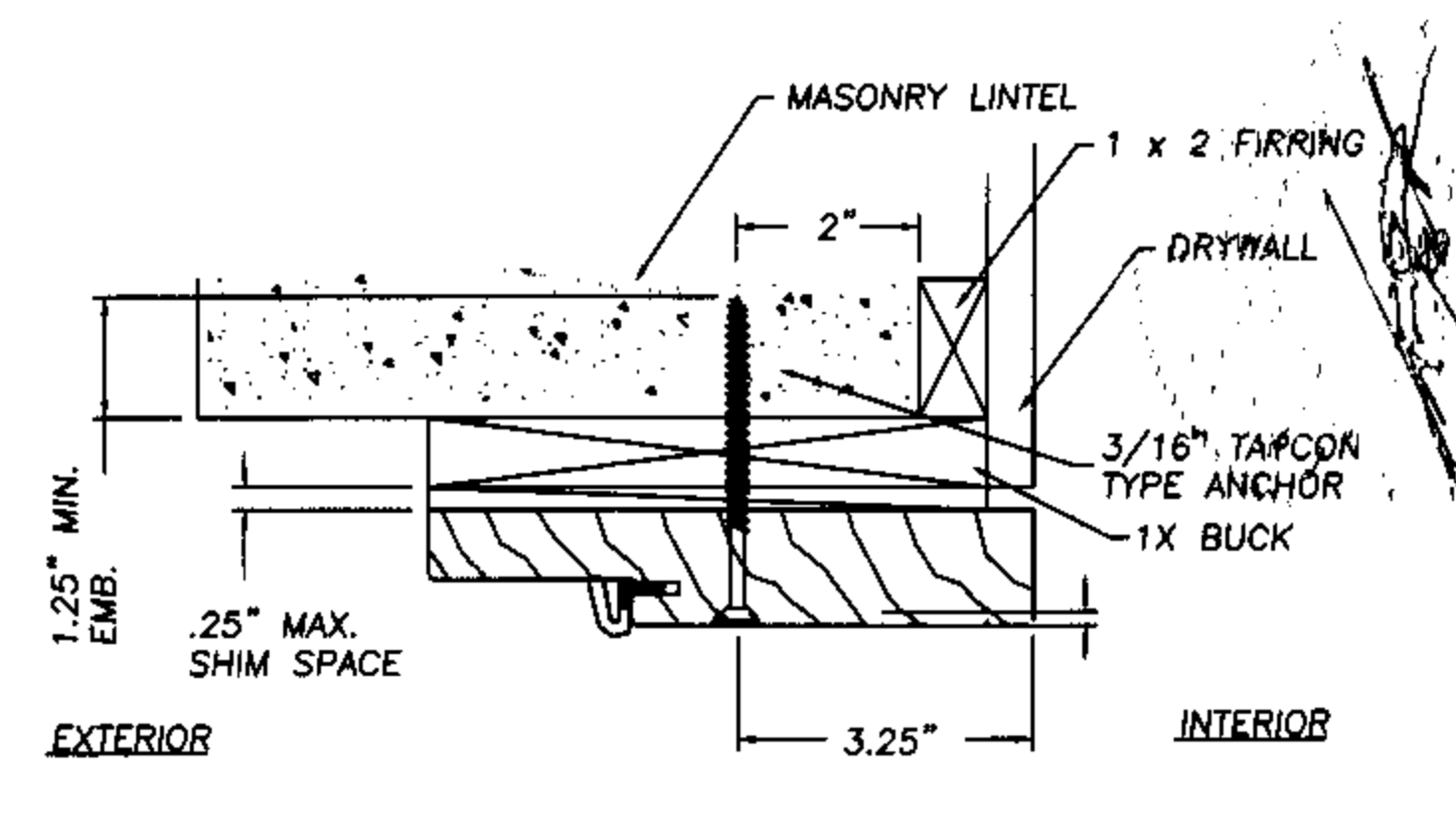
ANCHORING OF SIDELITE TO 2X BUCK

- NOTE:
1. When using a 1X sub-buck a 6-9/16" jamb is required to allow for min. edge spacing for Tapcon type anchors.
 2. A minimum clearance of 2.0" for all anchoring screws to mortar joints must be maintained.



2 X INSTALLATION

1 X INSTALLATION



ANCHORING OF SIDELITE THROUGH 1X BUCK

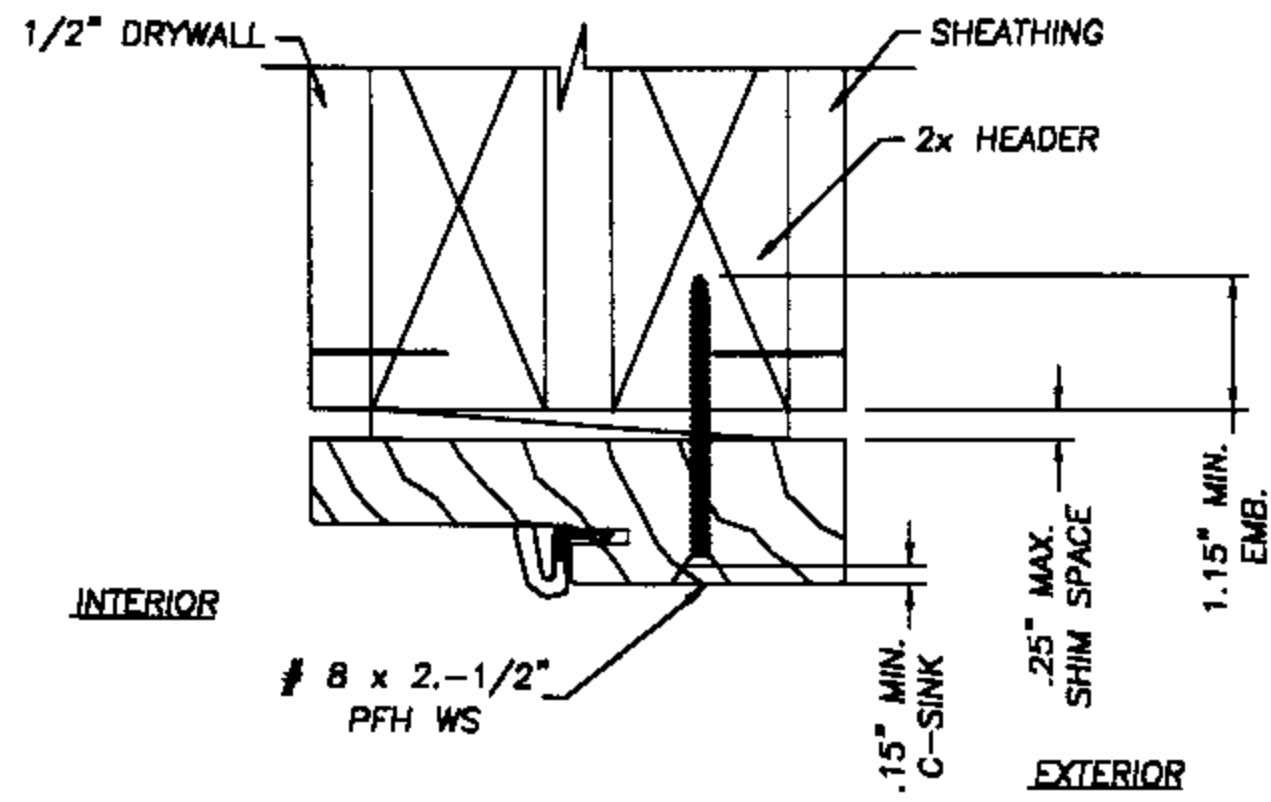
JUNE 26, 2002
 Lyndon F. Schmidt
 Florida P. E. No. 43409
 19506 French Lace Drive
 Lutz, FL 33558

JELD-WEN, INC.
 31725 HIGHWAY 97 NORTH
 CHILOQUIN, OR. 97624
 PH. 541.783.2057

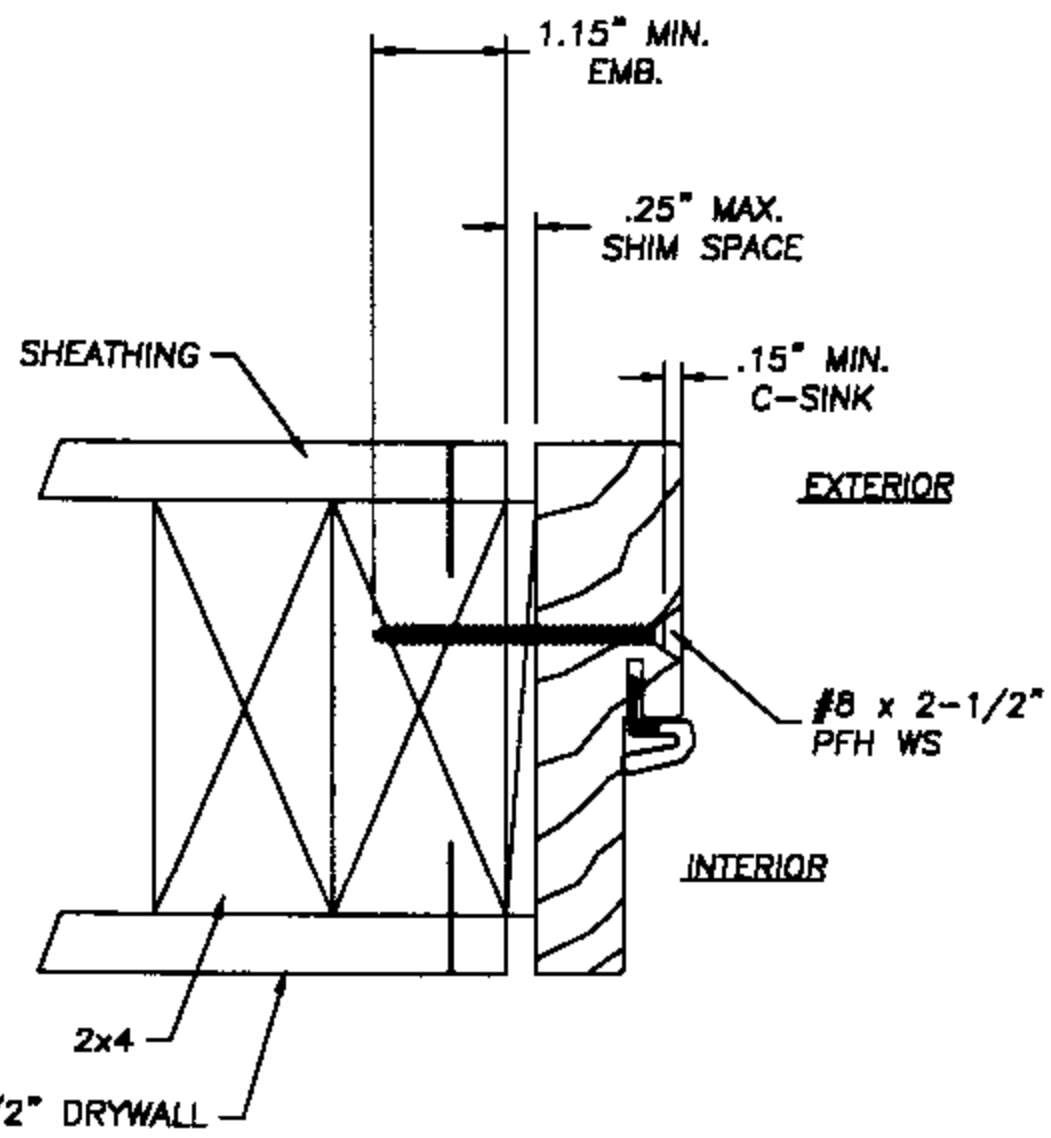
ANCHOR CROSS SECTIONS
 MASONRY 8'0
 OUT-SWING WOOD FRAME

RW BUILDING
 CONSULTANTS, INC.
 813.659.9197

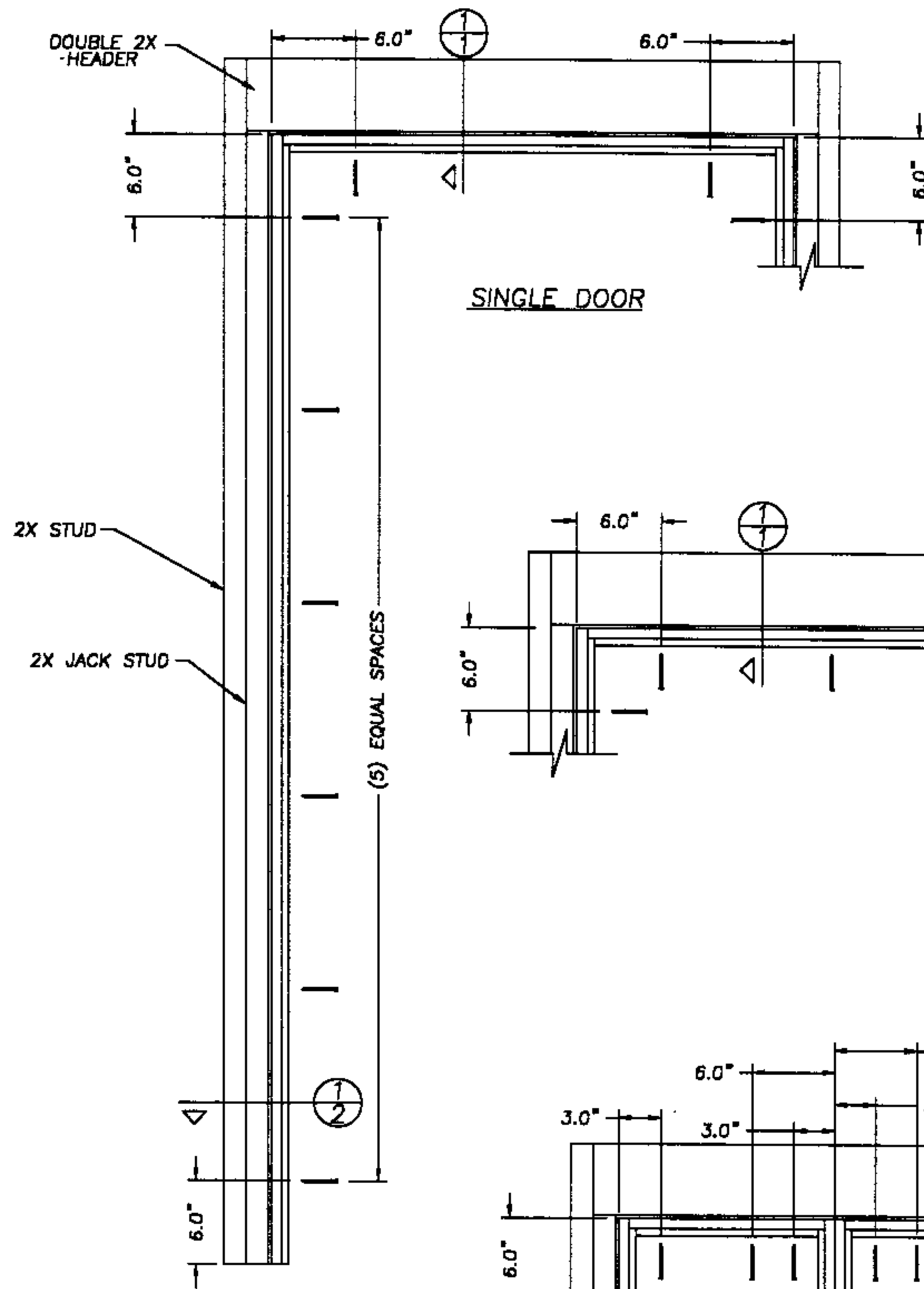
DATE: 6/12/02
 SCALE: NTS
 DWG. BY: WLN
 CHK. BY: RW
 DRAWING NO.: JW-103-OC
 SHEET 3 OF 4



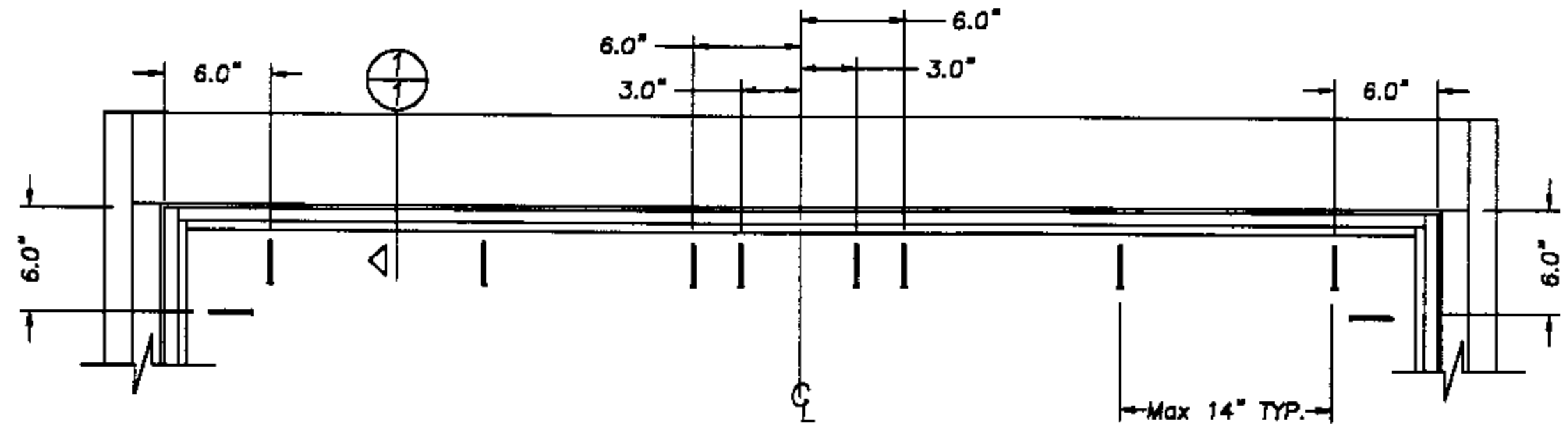
⊕ HEAD JAMB



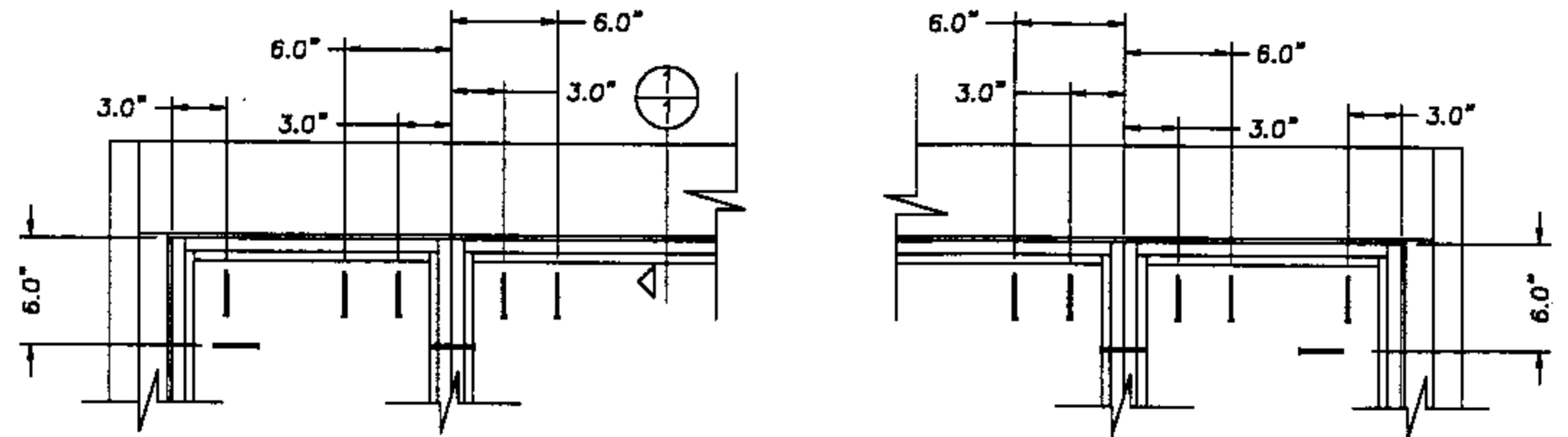
⊕ VERTICAL SIDE JAMB



SINGLE DOOR



DOUBLE DOOR



SINGLE OR DOUBLE DOOR WITH SIDELITES

JUNE 26, 2002
 Lyndon F. Schmidt
 Florida P. E. No. 43409
 19506 French Lace Drive
 Lutz, FL 33558

JELD-WEN, INC.
 31725 HIGHWAY 97 NORTH
 CHILOQUIN, OR. 97624
 PH. 541.783.2057

ANCHOR CROSS SECTIONS
 IN-SWING / OUT-SWING
 WOOD FRAME

RW BUILDING
 CONSULTANTS, INC.
 813.659.9197

DATE: 6/12/02
 SCALE: NTS
 DWG. BY: WLN
 CHK. BY: RW
 DRAWING NO.:
 JW-103-OC
 SHEET 4 OF 4