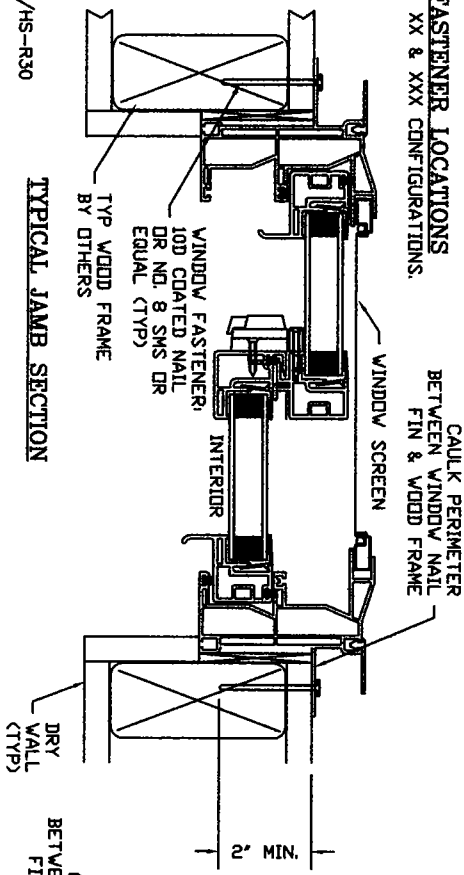


COLORIAL MUNTIN OPTIONS:
-SURFACE APPLIED-
-GRILLES BETWEEN GLASS-

FASTENERS SEE NOTE 5.

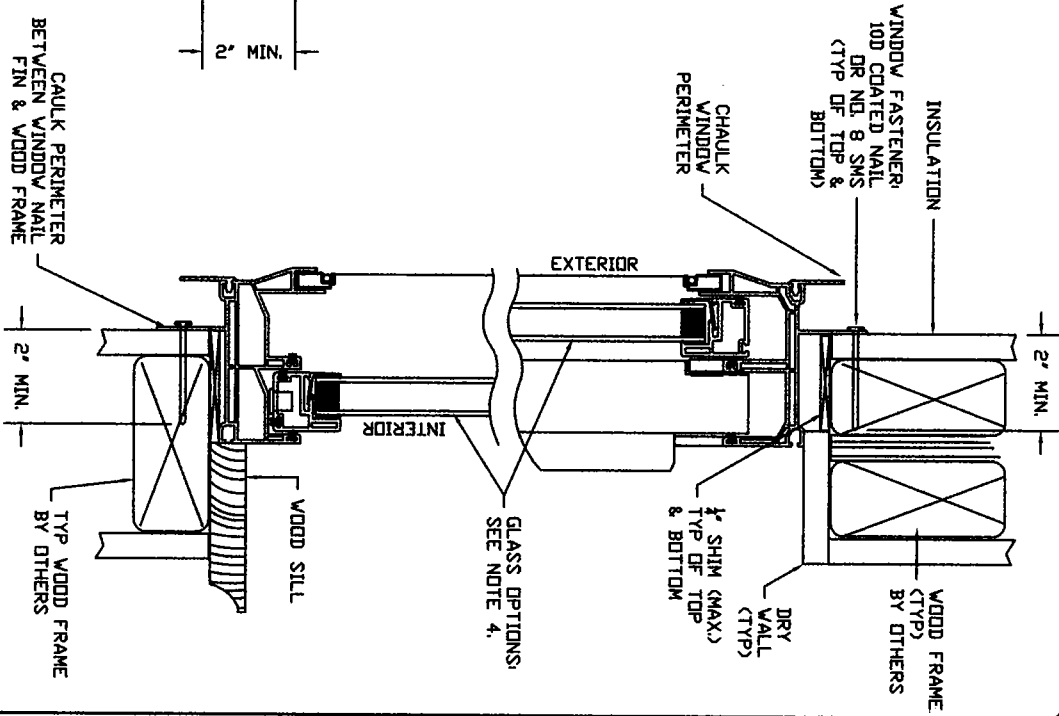
TYPICAL ELEVATION W/FASTENER LOCATIONS
NOTE: THIS WINDOW COMES IN XX & XXX CONFIGURATIONS.



TYPICAL JAMB SECTION

- WINDOW INSTALLATION NOTES:
1. DESIGN STRUCTURAL LOAD/RATING: 30 PSF/HS-R30
 2. CERTIFIED TEST REPORT: CTA-821W
 3. FRAME: PVC/FIN TYP
 4. GLASS: SINGLE PANE & INSULATED
 5. FASTENERS: 304 SS OR COATED FOR CORROSION RESISTANCE.
 6. GLAZING: INTERIOR GLAZED W/ADHESIVE BACK-BEDDING & SNAP IN EXTRUDED RIGID PVC GLAZE BEAD
 7. WINDOW SEALANTS: COMPLY W/AMA 800-92 OR EQUIVALENT.
 8. STATE & LOCAL BLDG. CODES CONFORMANCE IS SOLE RESPONSIBILITY OF THE ARCHITECT, BLDG. OWNER OR CONTRACTOR.

PRODUCT SERIES:
7500 HORIZONTAL ROLLER
WOOD FRAME INSTALLATION



ELEVATION SECTION (TYP)

Douglas Preston
3-31-03

SEASONSIELD INC.
DRAWING NUMBER

SHEET NUMBER
1 OF 1

Engineering Approvals:
Douglas Preston, PE
FL License No. 53291
11531 Wellman Dr.
Riverview, FL 33569 (813.689.9418)

PE certification is for structural loads only.
***** Note *****

Date: 03/02/02
Scale: N.T.S.
Dwg'n By: NGH

