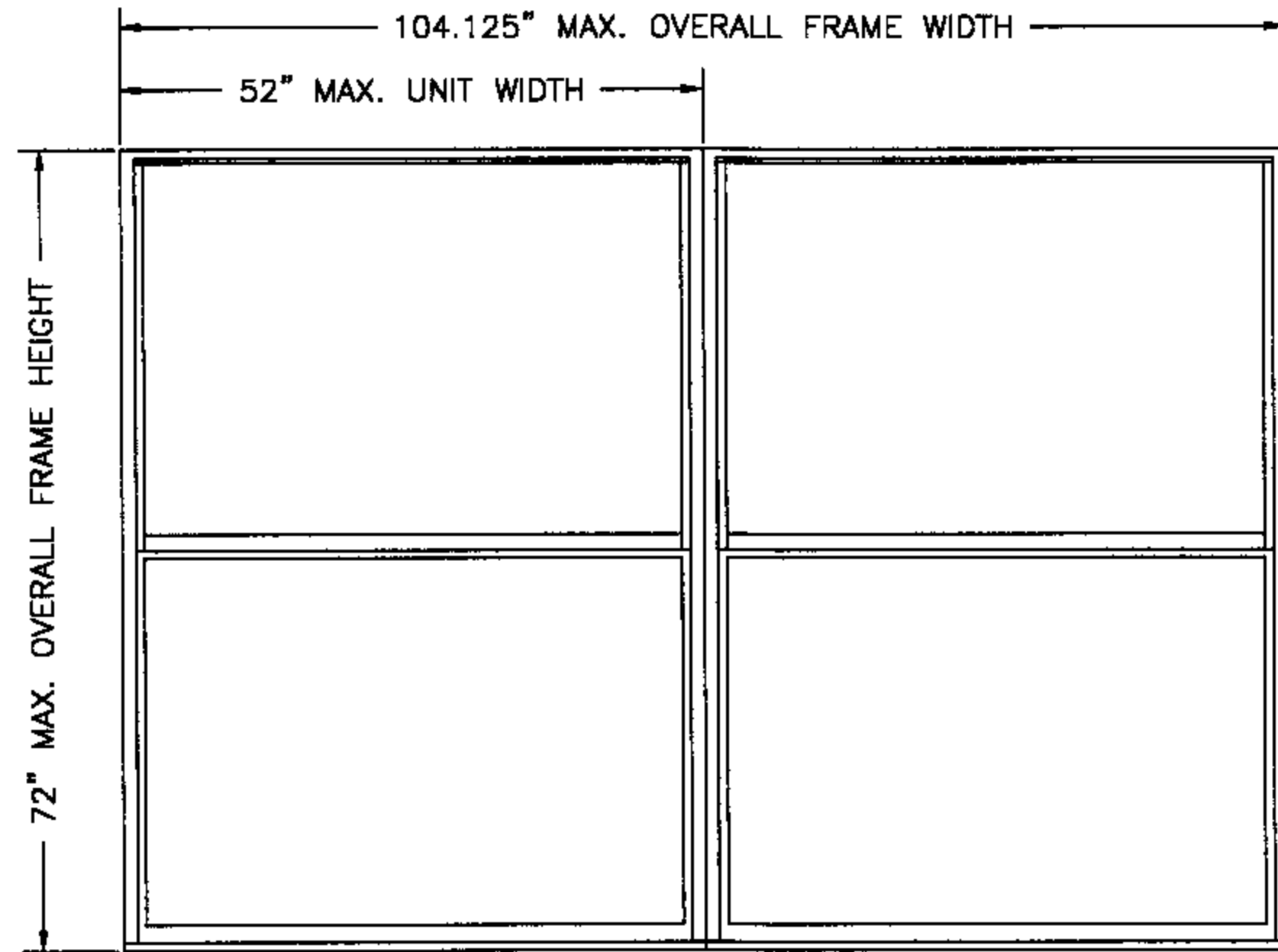
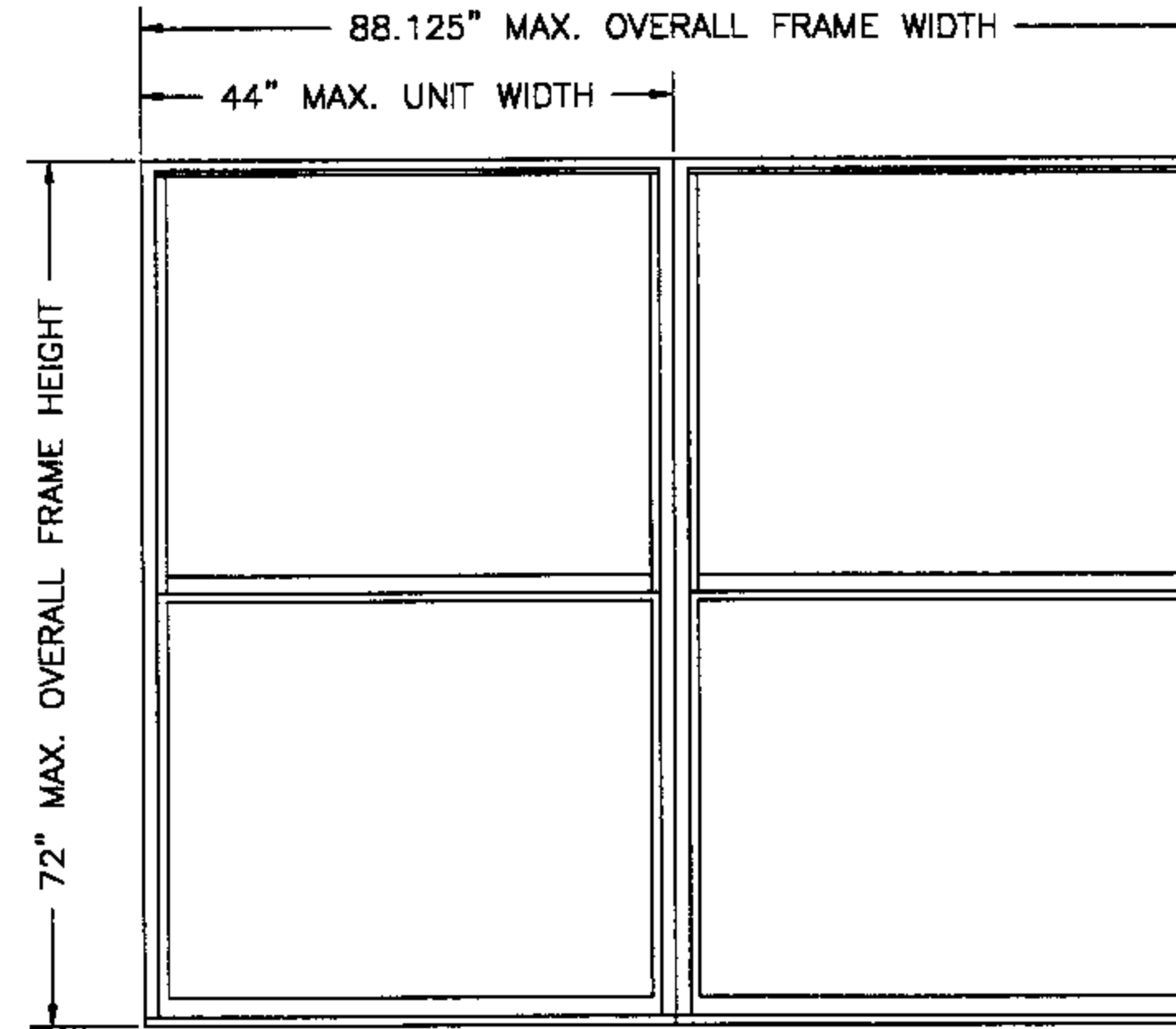


MAYFAIR WINDOWS & DOORS

575 / 535 SERIES MULLED SINGLE HUNG TILT SASH
ALUMINUM FLANGED WINDOW



575 DESIGN PRESSURE RATING	
POS. 40.0	NEG. 40.0
1/2" INSULATED GLASS	
1/8" ANN. - AIR SPACE - 1/8" ANN.	
535 DESIGN PRESSURE RATING	
POS. 40.0	NEG. 40.0
3/16" ANNEALED GLASS	



575 DESIGN PRESSURE RATING	
POS. 45.0	NEG. 45.0
1/2" INSULATED GLASS	
1/8" ANN. - AIR SPACE - 1/8" ANN.	
535 DESIGN PRESSURE RATING	
POS. 45.0	NEG. 45.0
3/16" ANNEALED GLASS	

(ACHIEVED BY COMPARISON ANALYSIS)

GENERAL NOTES

1. THIS PRODUCT IS DESIGNED TO COMPLY WITH THE FLORIDA BUILDING CODE.
2. PRODUCT ANCHORS SHALL BE AS LISTED AND SPACED AS SHOWN ON DETAILS.
3. WHEN THIS PRODUCT IS USED IN AN AREA REQUIRING WINDBORNE DEBRIS PROTECTION, FLORIDA BUILDING CODE APPROVED IMPACT RESISTANT SHUTTERS ARE REQUIRED.
4. SINGLE HUNG MULLED UNIT ANCHORING THROUGH THE 1X BUCK TO MASONRY, SEE SHEET 2 OF 4.
5. SINGLE HUNG MULLED UNIT ANCHORING TO STUD CONSTRUCTION, SEE SHEET 3 OF 4.
6. MULL DETAILS SEE SHEET 4 OF 4.

PRODUCT DESCRIPTION

1. THE ALUMINUM WINDOW FRAMES ARE COPED CORNER CONSTRUCTION AND FASTENED WITH TWO #8 x 3/4" SMS AT EACH CORNER.
2. THE HEAD AND SIDE JAMBS & SILL ARE EXTRUDED ALUMINUM WITH A MINIMUM WALL THICKNESS OF 0.047".
3. THE UNITS ARE MULLED TOGETHER USES A 2.611" DEEP ALUMINUM MULL.

Mayfair Windows & Doors
4100 Cameron Street
Lafayette, LA 70506
PH. 800.999.2470

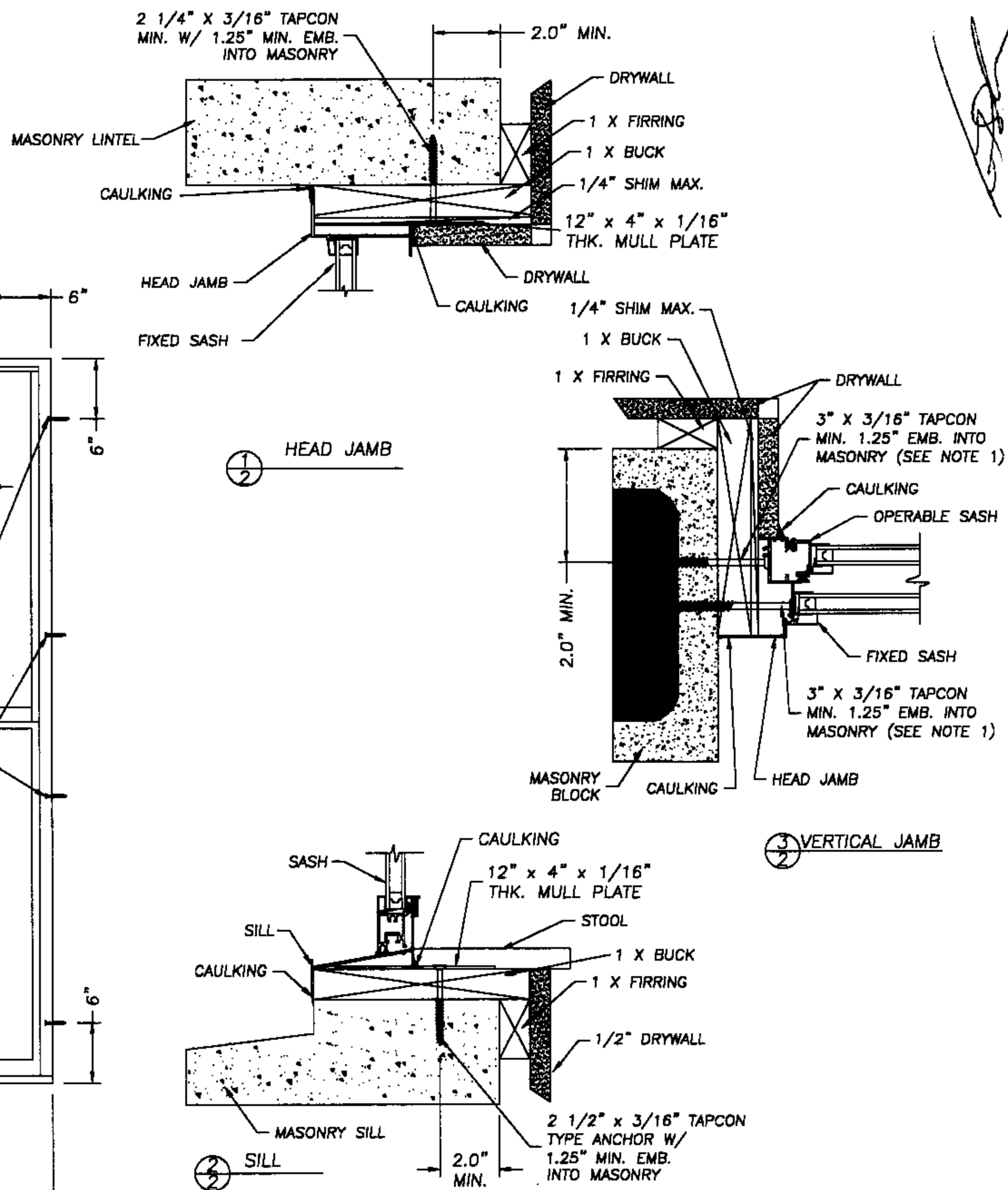
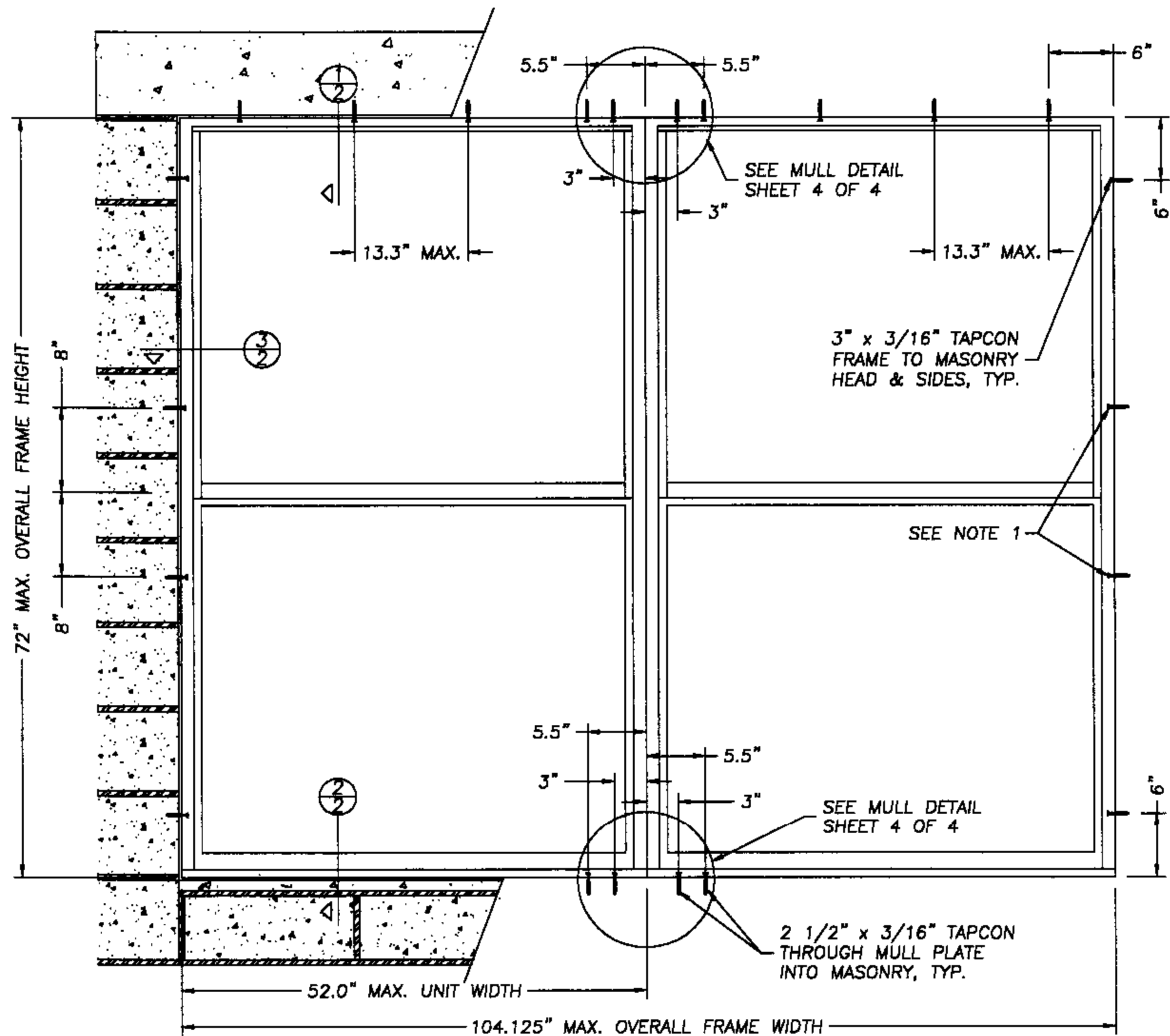
PRODUCT: MAYFAIR MULLED SINGLE HUNG
575/535 SERIES TILT SASH
ALUMINUM FLANGED WINDOW
PART OR ASSEMBLY:
GENERAL NOTES &
TYPICAL ELEVATIONS

NO.	DATE	REVISIONS	BY

RW BUILDING
CONSULTANTS, INC.
813.659.9197

DATE: 08/22/02
SCALE: N.T.S.
DWG. BY: TJH
CHK. BY: RW
DRAWING NO.:
M-109-OC
SHEET 1 OF 4

[Signature]
August 26, 2002
Lyndon F. Schmidt
Florida P. E. No. 43409
19506 French Lace Drive Lutz, FL 33558



NOTE:

1. The screws located 6" down from the top and 8" up from the meeting rail are in the interior sash track. The screws located 6" up from the bottom and 8" down from the meeting rail are in the exterior sash track.

2. Wall dressing at exterior flanges By Others.

August 26, 2002

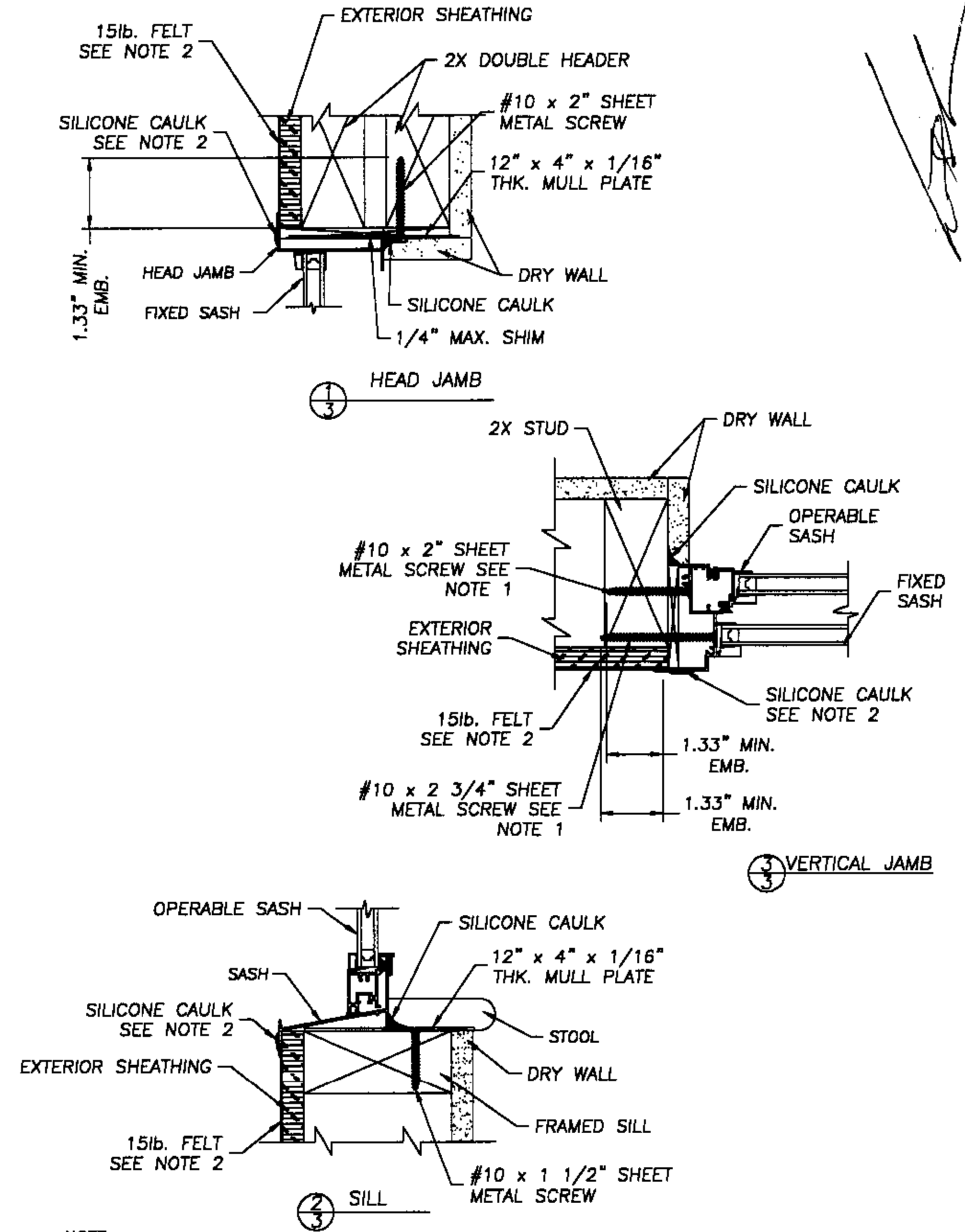
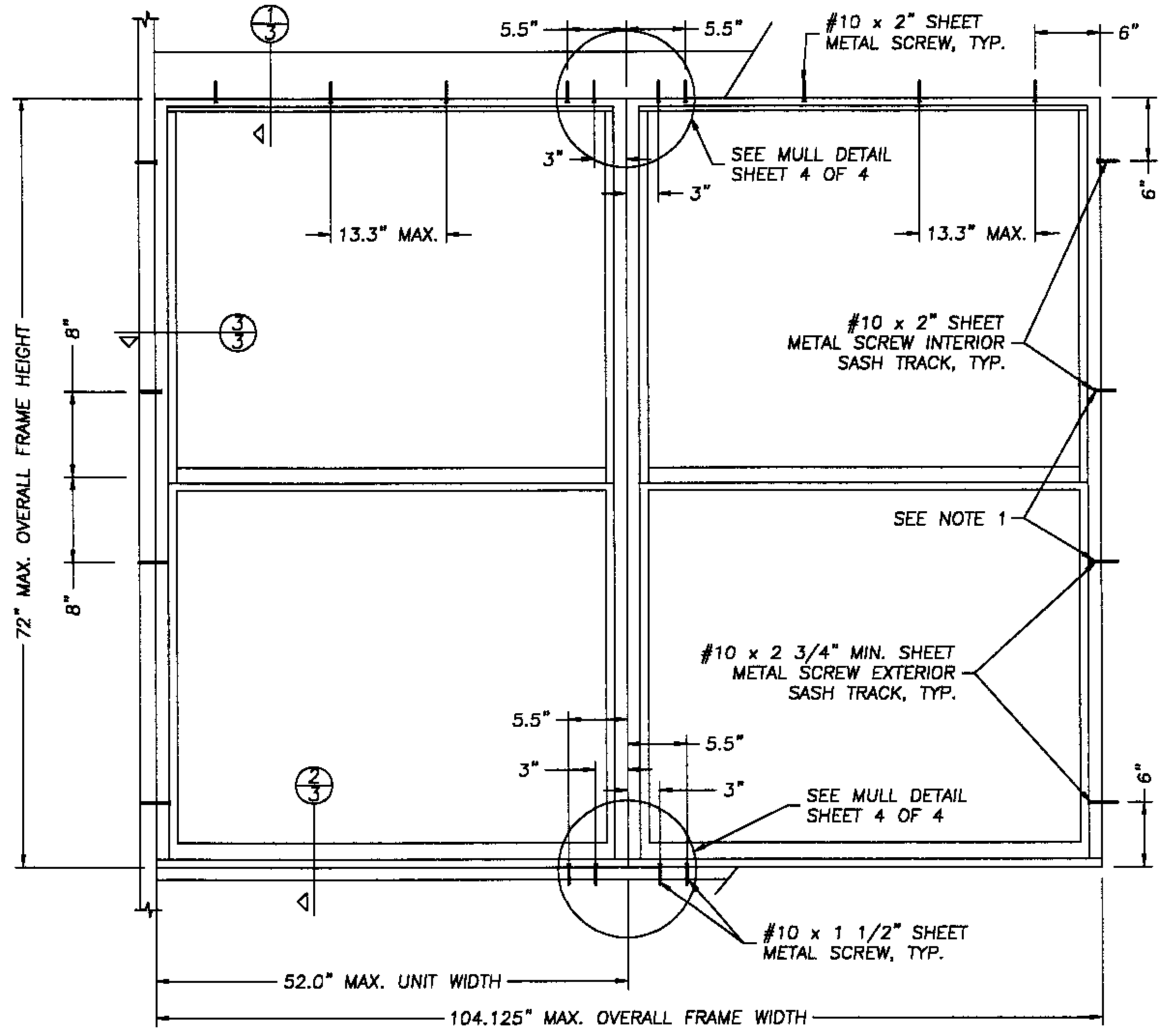
Lyndon F. Schmidt
 Florida P. E. No. 43409
 19506 French Lace Drive
 Lutz, FL 33558

Mayfair Windows & Doors
 4100 Cameron Street
 Lafayette, LA 70506
 PH. 800.999.2470

ANCHORING CROSS SECTIONS
 FOR 1X BUCK TO MASONRY
 SINGLE HUNG TILT SASH
 TWIN MULLED ALUMINUM WINDOW

RW BUILDING CONSULTANTS, INC.
 813.659.9197

DATE: 08/22/02
 SCALE: N.T.S.
 DWG. BY: TJH
 CHK. BY: R.W.
 DRAWING NO.: M-109-OC
 SHEET 2 OF 4



- NOTE:**
1. The screws located 6" down from the top and 8" up from the meeting rail are in the interior sash track. The screws located 6" up from the bottom and 8" down from the meeting rail are in the exterior sash track.
 2. 15lb. felt must be used as a water barrier. The felt must cover the frame flange. Every exposed edge of the felt must be sealed with silicone.
 3. The full perimeter of the window nailing flange must have a heavy bead of caulk applied to the building side before the window is placed in the opening.

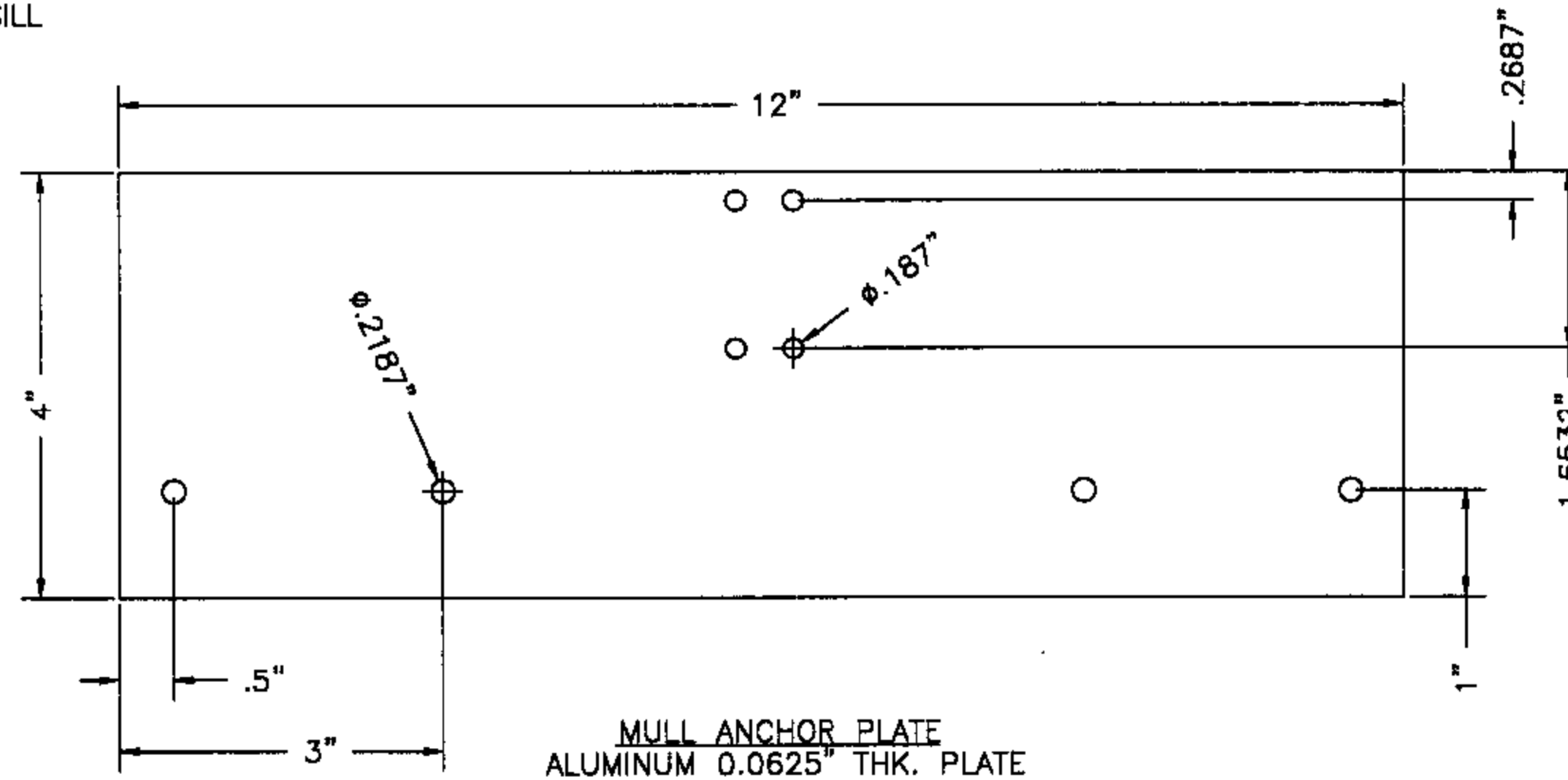
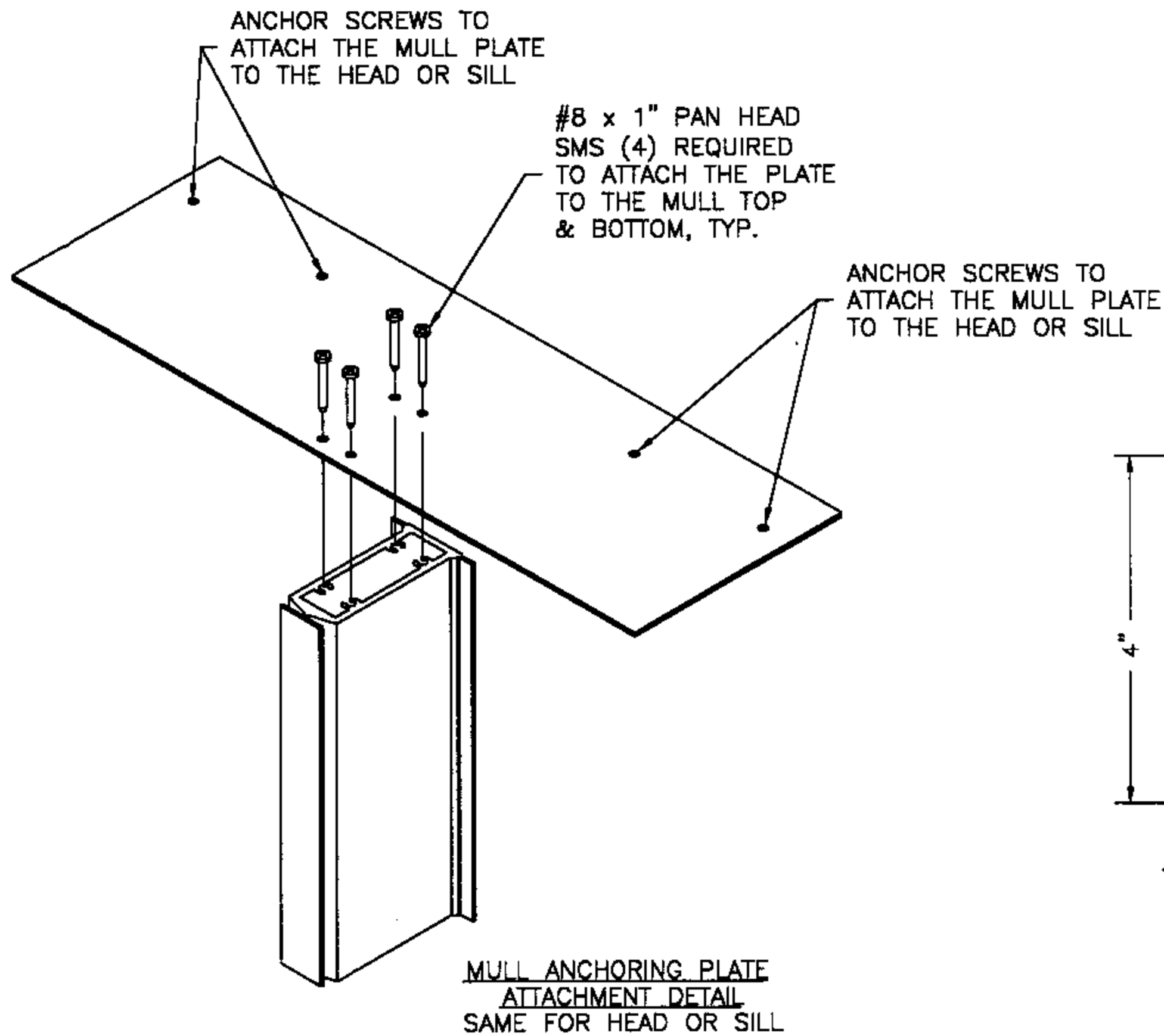
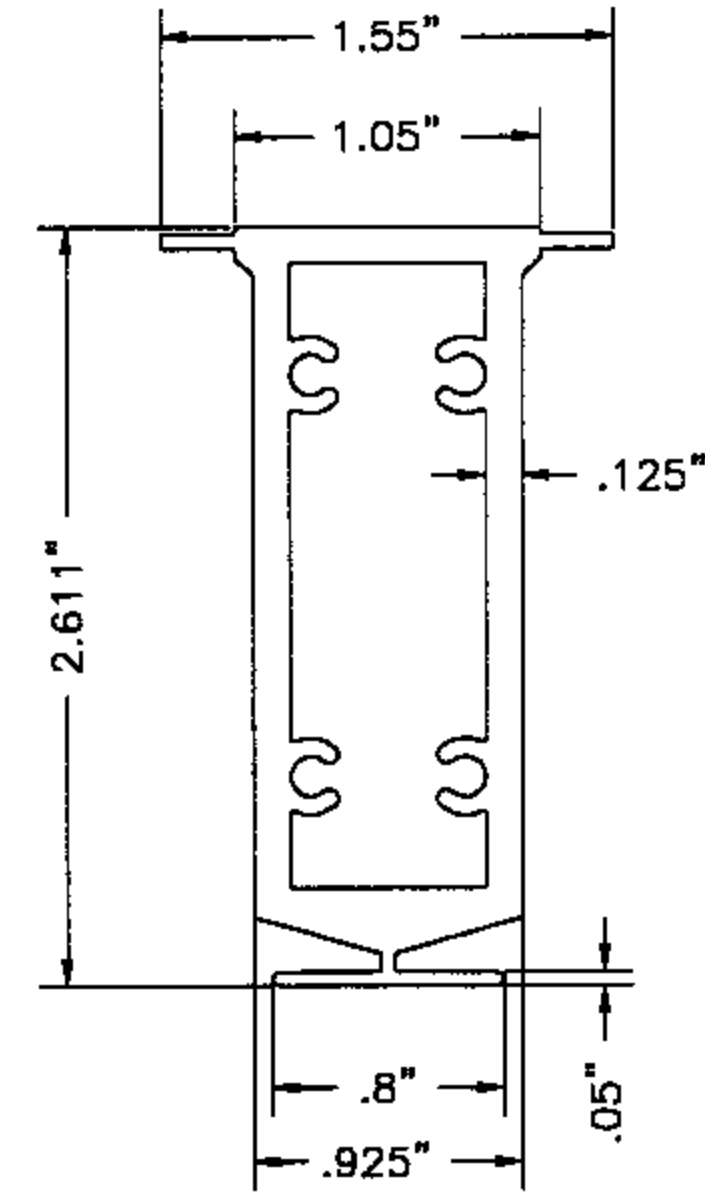
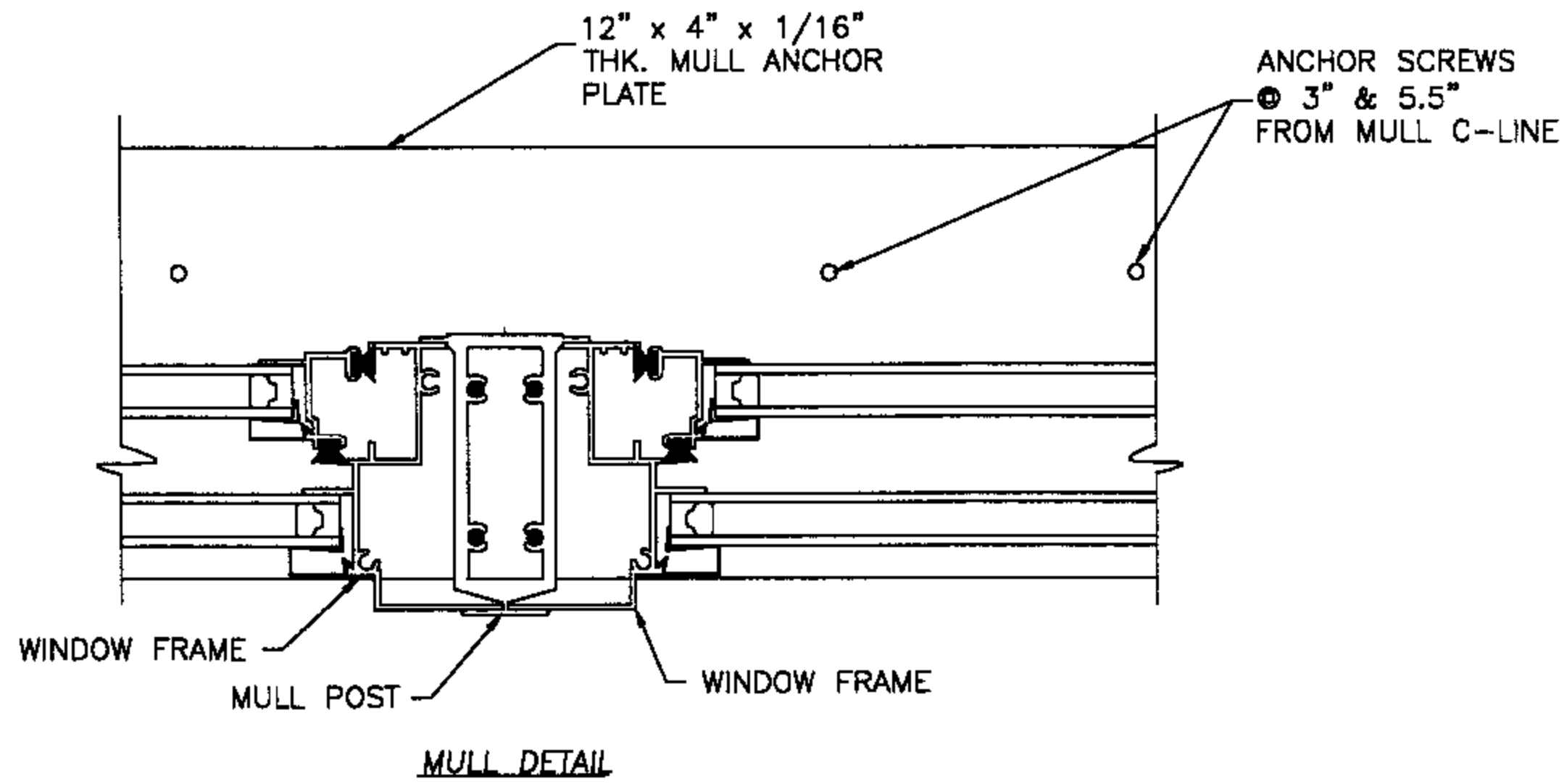
August 26, 2002
 Lyndon F. Schmidt
 Florida P. E. No. 43409
 19506 French Lace Drive
 Lutz, FL 33558

Mayfair Windows & Doors
 4100 Cameron Street
 Lafayette, LA 70506
 PH. 800.999.2470

**ANCHORING CROSS SECTIONS
 FOR WOOD CONSTRUCTION
 SINGLE HUNG TILT SASH
 TWIN MULLED ALUMINUM WINDOW**

**RW BUILDING
 CONSULTANTS, INC.**
 813.659.9197

DATE: 08/22/02
 SCALE: N.T.S.
 DWG. BY: TJH
 CHK. BY: R.W.
 DRAWING NO.:
 M-109-DC
 SHEET 3 OF 4



August 26, 2002
 Lyndon F. Schmidt
 Florida P. E. No. 43409
 19506 French Lace Drive
 Lutz, FL 33558

Mayfair Windows & Doors
 4100 Cameron Street
 Lafayette, LA 70506
 PH. 800.999.2470

MAYFAIR MULLED SINGLE HUNG
 575 / 535 SERIES TILT SASH
 ALUMINUM FLANGED WINDOW
 MULL DETAILS

RW BUILDING
 CONSULTANTS, INC.
 813.659.9197

DATE: 08/22/02
 SCALE: N.T.S.
 DWG. BY: TJH
 CHK. BY: RW
 DRAWING NO.:
 M-109-OC
 SHEET 4 OF 4