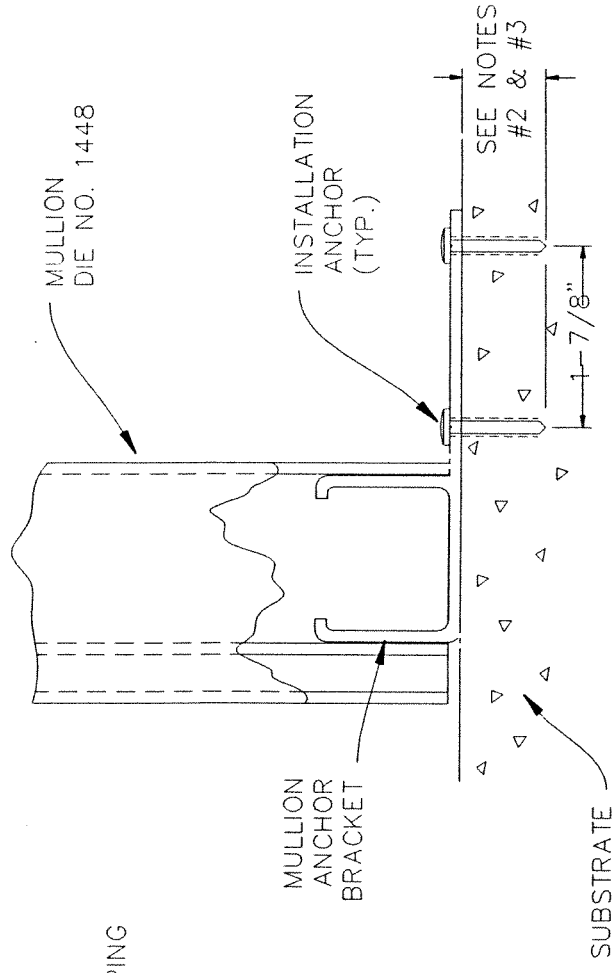
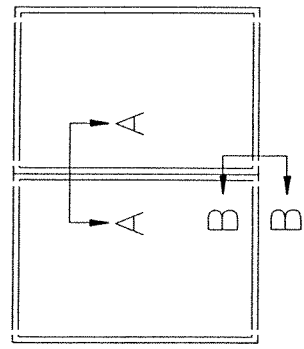


SECTION A-A



SECTION B-B



EXTERIOR ELEVATION

- NOTES:
- 1) MULLION INSTALLATION DETAILS APPLY TO ALUMINUM TUBE MULLION, DIE NO. 1448, WHEN USED TO MULL SINGLE HUNG AND OR PICTURE WINDOWS SIDE BY SIDE.
 - 2) IN MASONRY CONSTRUCTION, ATTACH MULLION TO SUBSTRATE WITH 3/16" DIA. CONCRETE SCREW ANCHOR OF SUFFICIENT LTH. TO ACHIEVE 1-1/4" MIN. EMBEDMENT INTO CONCRETE OR MASONRY.
 - 3) IN WOOD FRAME CONSTRUCTION, ATTACH MULLION TO SUBSTRATE USING #10 SCREWS OF SUFFICIENT LTH. TO ACHIEVE 1-3/8" MIN. EMBEDMENT INTO WOOD FRAMING.

js
aspa

GENERAL ALUMINUM CORP. CARROLLTON, TEXAS	
TITLE: FIN VERTICAL MULLION INSTALLATION DETAIL ALUMINUM TUBE MULLION, DIE NO. 1448	
AREA: -----	APRVD: -----
DRN: -----	DATE: 3/17/02
SCALE: HALF	MATL: -----
WT/FT: -----	DWG NO: GEN-0-50

GENERAL ALUMINUM CORPORATION
VERTICAL MULLION DESIGN LOAD CAPACITY CHART
ALUMINUM MULLION, DIE #1448

FIN VERTICAL S.H. SIZES

WDW. WTH. > WDW. HGT. V	18.000	24.000	30.000	36.000	48.000	53.125
36.000	506	427	390	379	379	379
44.000	319	262	231	215	208	208
48.000	263	213	186	171	160	160
60.000	129	102	87	78	68	66
72.000	72	57	48	42	36	34

CHART APPLIES ONLY TO MULLION #1448 WHEN USED TO MULL FLANGE SINGLE HUNG AND PICTURE WINDOWS.
 READ WINDOW WIDTH AND HEIGHT IN INCHES
 DESIGN PRESSURE VALUES ON THIS CHART ARE IN PSF

PREPARED BY:
PRODUCT & APPLICATION ENGINEERING, INC.
 250 INTERNATIONAL PARKWAY
 SUITE 250
 HEATHROW, FLORIDA 32746
 PHONE 407 805-0365 / FAX 407 805-0366

CA020037
 JAN. 11, 02
 01-1201

444

02-20-02

GENERAL ALUMINUM CORPORATION
VERTICAL MULLION DESIGN LOAD CAPACITY CHART
ALUMINUM MULLION, DIE #1448

FIN VERTICAL P.W. SIZES

WDW. WTH. > WDW. HGT. V	30.000	43.000	56.000	63.000	72.000	88.000
28.000	565	565	565	565	565	565
32.000	380	378	378	378	378	378
38.000	236	226	226	226	226	226
42.000	182	167	167	167	167	167
56.000	72	60	57	57	57	57
60.000	57	47	43	43	43	43
72.000	31	25	22	21	21	21

CHART APPLIES ONLY TO MULLION #1448 WHEN USED TO MULL FLANGE SINGLE HUNG AND PICTURE WINDOWS.
 READ WINDOW WIDTH AND HEIGHT IN INCHES
 DESIGN PRESSURE VALUES ON THIS CHART ARE IN PSF

PREPARED BY:
PRODUCT & APPLICATION ENGINEERING, INC.
 250 INTERNATIONAL PARKWAY
 SUITE 250
 HEATHROW, FLORIDA 32746
 PHONE 407 805-0365 / FAX 407 805-0366

CA020038
 JAN. 11, 02
 01-1201

MME
 02-20-02