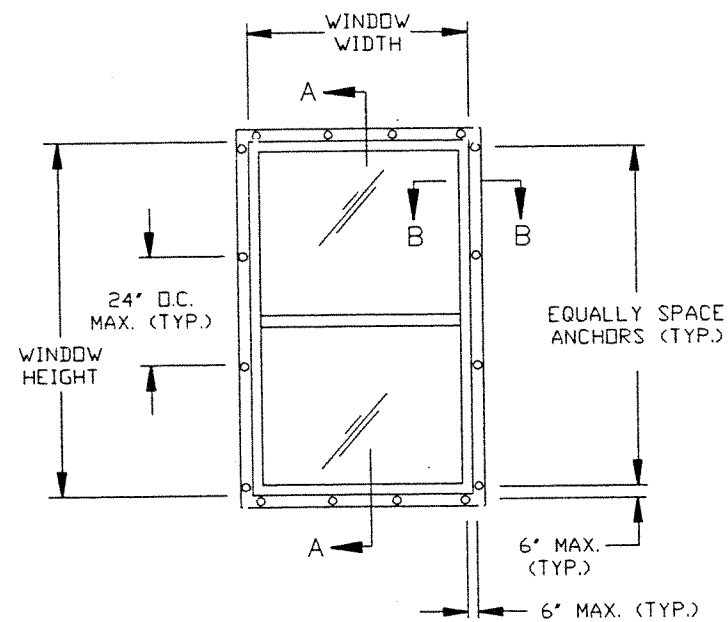
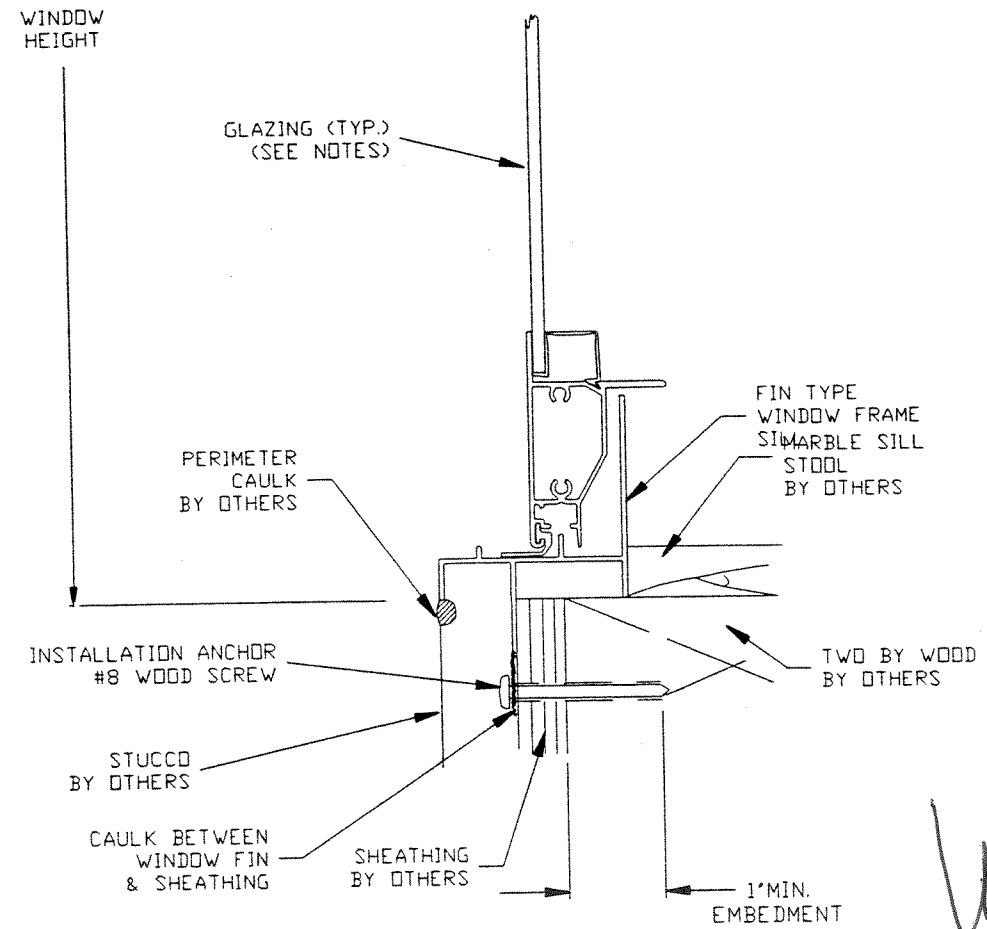


SECTION B-B



ELEVATION  
VIEWED FROM EXTERIOR

- NOTES:
- 1) SHIM AS REQ'D. AT EACH INSTALLATION ANCHOR. MAX. ALLOWABLE SHIM STACK TO BE 1/4".
  - 2) WINDOW FRAME MATERIAL: ALUMINUM ALLOY 6063.
  - 3) INSTALLATION ANCHOR MUST BE OF SUFFICIENT LTH. TO ACHIEVE MIN. EMBEDMENT OF 1" INTO WOOD BUCK.
  - 4) USE SILICONIZED ACRYLIC CAULK BEHIND WINDOW FIN AT HEAD, SILL & JAMBS.
  - 5) USE SILICONIZED ACRYLIC CAULK FOR PERIMETER SEAL AROUND EXTERIOR OF WINDOW FRAME.
  - 6) IF EXACT WINDOW SIZE IS NOT LISTED IN ANCHOR CHART, USE ANCHOR QUANTITY LISTED WITH NEXT LARGER SIZE.
  - 7) GLASS THICKNESS MAY VARY PER THE REQUIREMENTS OF ASTM E1300 GLASS CHARTS.
  - 8) FLORIDA EXTRUDERS 1000 SERIES SINGLE HUNG IS SHOWN. THIS PRINT ALSO APPLIES TO THE FLORIDA EXTRUDERS 1500 AND 2000 SERIES SINGLE HUNG WINDOWS.



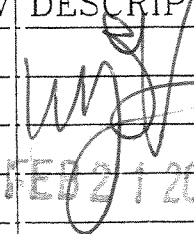
SECTION A-A

*[Handwritten Signature]*  
FEB 21 2002

REV	DESCRIPTION	DATE	INI	FLORIDA EXTRUDERS INTERNATIONAL, INC. SANFORD, FLORIDA
				TITLE: INSTALLATION DETAIL W/#8 SCREWS SINGLE HUNG FIN WINDOW - SERIES 1000, 1500, & 2000
				DRAWN BY: BB APPROVED BY: _____
				DATE: 12/13/01 SCALE: N. T. S. DWG.: FLEX0026 SHT 1 OF 2

INSTALLATION ANCHOR CHART			
CALL SIZE	WINDOW SIZE	QUANTITY IN HEAD & SILL	QUANTITY IN EACH JAMB
		UP TO 70 PSF	UP TO 70 PSF
2024	23 1/2 x 27 1/2	2	2
2030	23 1/2 x 35 1/2	2	2
2038	23 1/2 x 43 1/2	2	3
2040	23 1/2 x 47 1/2	2	3
2044	23 1/2 x 51 1/2	2	3
2050	23 1/2 x 59 1/2	2	3
2060	23 1/2 x 71 1/2	2	4
2070	23 1/2 x 83 1/2	2	4
2424	27 1/2 x 27 1/2	2	2
2430	27 1/2 x 35 1/2	2	2
2438	27 1/2 x 43 1/2	2	3
2440	27 1/2 x 47 1/2	2	3
2444	27 1/2 x 51 1/2	2	3
2450	27 1/2 x 59 1/2	2	3
2460	27 1/2 x 71 1/2	2	4
2470	27 1/2 x 83 1/2	2	4
2824	31 1/2 x 27 1/2	2	2
2830	31 1/2 x 35 1/2	2	2
2838	31 1/2 x 43 1/2	2	3
2840	31 1/2 x 47 1/2	2	3
2844	31 1/2 x 51 1/2	2	3
2850	31 1/2 x 59 1/2	2	3
2860	31 1/2 x 71 1/2	2	4
2870	31 1/2 x 83 1/2	2	4
3024	35 1/2 x 27 1/2	2	2
3030	35 1/2 x 35 1/2	2	2
3038	35 1/2 x 43 1/2	2	3
3040	35 1/2 x 47 1/2	2	3
3044	35 1/2 x 51 1/2	2	3
3050	35 1/2 x 59 1/2	2	3
3060	35 1/2 x 71 1/2	2	4
3070	35 1/2 x 83 1/2	2	4
3424	39 1/2 x 27 1/2	3	2
3430	39 1/2 x 35 1/2	3	2
3438	39 1/2 x 43 1/2	3	3
3440	39 1/2 x 47 1/2	3	3
3444	39 1/2 x 51 1/2	3	3
3450	39 1/2 x 59 1/2	3	3
3460	39 1/2 x 71 1/2	3	4
3470	39 1/2 x 83 1/2	3	4
3824	43 1/2 x 27 1/2	3	2
3830	43 1/2 x 35 1/2	3	2
3838	43 1/2 x 43 1/2	3	3
3840	43 1/2 x 47 1/2	3	3
3844	43 1/2 x 51 1/2	3	3
3850	43 1/2 x 59 1/2	3	3
3860	43 1/2 x 71 1/2	3	4
3870	43 1/2 x 83 1/2	3	4
4024	47 1/2 x 27 1/2	3	2
4030	47 1/2 x 35 1/2	3	2
4038	47 1/2 x 43 1/2	3	3
4040	47 1/2 x 47 1/2	3	3
4044	47 1/2 x 51 1/2	3	3
4050	47 1/2 x 59 1/2	3	3
4060	47 1/2 x 71 1/2	3	4
4070	47 1/2 x 83 1/2	3	4

INSTALLATION ANCHOR CHART			
CALL SIZE	WINDOW SIZE	QUANTITY IN HEAD & SILL	QUANTITY IN EACH JAMB
		UP TO 70 PSF	UP TO 70 PSF
12	18 1/8 x 25	2	2
13	18 1/8 x 37 3/8	2	3
14	18 1/8 x 49 5/8	2	3
145	18 1/8 x 55 1/4	2	3
15	18 1/8 x 62	2	4
16	18 1/8 x 71	2	4
17	18 1/8 x 83	2	4
1H2	25 1/2 x 25	2	2
1H3	25 1/2 x 37 3/8	2	3
1H4	25 1/2 x 49 5/8	2	3
1H45	25 1/2 x 55 1/4	2	3
1H5	25 1/2 x 62	2	4
1H6	25 1/2 x 71	2	4
1H7	25 1/2 x 83	2	4
30 1/2 x 26	29 1/2 x 25	2	2
30 1/2 x 38 3/8	29 1/2 x 37 3/8	2	3
30 1/2 x 50 5/8	29 1/2 x 49 5/8	2	3
30 1/2 x 56 1/4	29 1/2 x 55 1/4	2	3
30 1/2 x 63	29 1/2 x 62	2	4
30 1/2 x 72	29 1/2 x 71	2	4
30 1/2 x 84	29 1/2 x 83	2	4
22	36 x 25	2	2
23	36 x 37 3/8	2	3
24	36 x 49 5/8	2	3
245	36 x 55 1/4	2	3
25	36 x 62	2	4
26	36 x 71	2	4
27	36 x 83	2	4
42 x 26	41 x 25	3	2
42 x 38 3/8	41 x 37 3/8	3	3
42 x 50 5/8	41 x 49 5/8	3	3
42 x 56 1/4	41 x 55 1/4	3	3
42 x 63	41 x 62	3	4
42 x 72	41 x 71	3	4
42 x 84	41 x 83	3	4
48 x 26	47 x 25	3	2
48 x 38 3/8	47 x 37 3/8	3	3
48 x 50 5/8	47 x 49 5/8	3	3
48 x 56 1/4	47 x 55 1/4	3	3
48 x 63	47 x 62	3	4
48 x 72	47 x 71	3	4
48 x 84	47 x 83	3	4
32	52 1/8 x 25	3	2
33	52 1/8 x 37 3/8	3	3
34	52 1/8 x 49 5/8	3	3
345	52 1/8 x 55 1/4	3	3
35	52 1/8 x 62	3	4
36	52 1/8 x 71	3	4
37	52 1/8 x 83	3	4

REV	DESCRIPTION	DATE	INI	FLORIDA EXTRUDERS INTERNATIONAL, INC. SANFORD, FLORIDA
 FEB 21 2002				TITLE: INSTALLATION ANCHOR CHART
				SGL. HUNG FIN WINDOWS - SERIES 1000, 1500 & 2000
DRAWN BY: BB			APPROVED BY:	
DATE: 12/18/01		SCALE: NTS	DWG.: FLEX0026 SHT 2 OF 2	