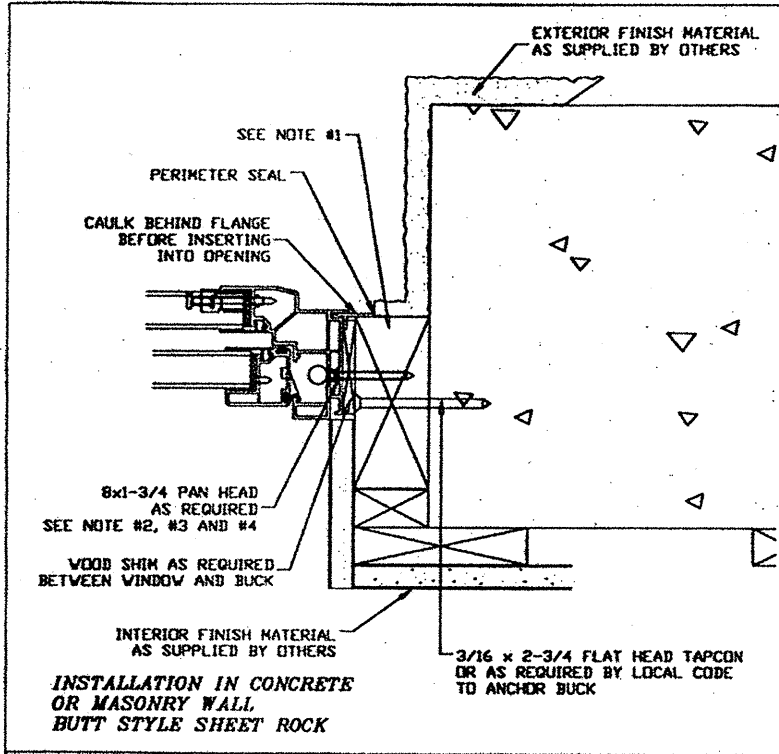


ESP Energy Saving Products of Florida, Inc.

Our Name Says It All!

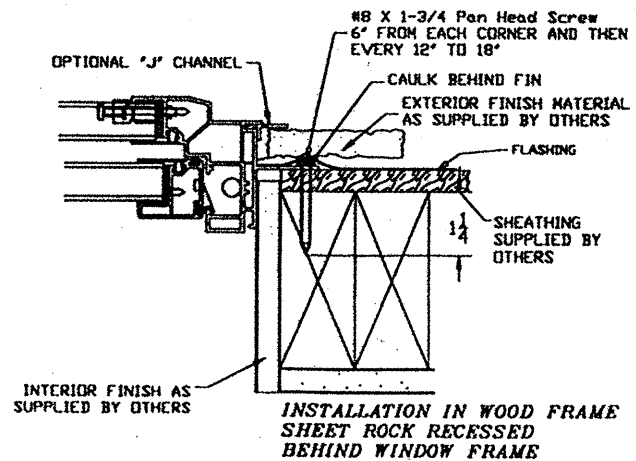
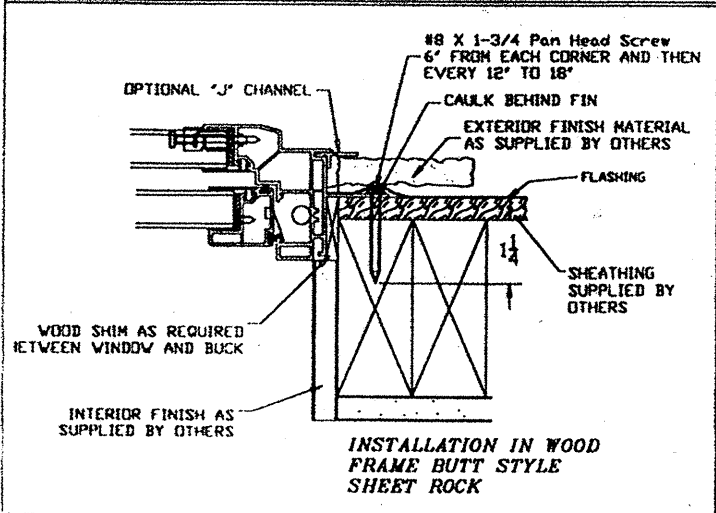
P. O. Box 1119 • Jasper, Florida 32052



NOTE:

- 1.) IT IS RECOMMENDED THAT A BUCK 1-1/2" THICK OR GREATER BE SECURED TO THE OPENING WITH 3/16" TAPCONS OF A LENGTH TO HAVE 1 1/4" PENETRATION INTO MASONRY OR CONCRETE. THE SCREWS SHOULD BE PLACED 6" FROM EACH CORNER AND 24" ON CENTER.
- 2.) ANCHOR/MOUNTING SCREWS PLACED IN THE BALANCE CHANNELS NEED TO HAVE 3/8" DIAMETER HOLES PRE DRILLED SO THAT THE SCREW HEADS DO NOT INTERFERE WITH BALANCE SHOE OPERATION. THE 3/8" HOLES IN THE INNER BALANCE CHANNEL GO THROUGH ONE WALL ONLY. CAUTION DO NOT DRILL THROUGH THE OUTER WALL OF THE WINDOW FRAME.
- 3.) ANCHOR/MOUNTING SCREWS ARE APPLIED THROUGH THE BALANCE CHANNEL IN THE JAMBS. SCREWS ARE LOCATED AT THE HEAD (ABOVE THE BALANCE) AND AT THE MEETING RAIL JUST BELOW THE BALANCE AND ABOVE THE BALANCE SHOE AT ITS UPPER MOST POSITION. THE SCREW AT THE SILL END OF THE JAMB SHOULD BE LOCATED AT THE BOTTOM OF THE BALANCE CHANNEL. WHEN THE BUCK IS LESS THAN 1-1/2" THICK USE A 3/16" TAPCON WITH A LENGTH TO HAVE 1-1/4" PENETRATION INTO THE CONCRETE/MASONRY
- 4.) THE WINDOW IS SECURED TO THE BUCK WITH #8 SCREWS OF A LENGTH TO HAVE 1-1/4" PENETRATION INTO THE BUCK. THESE SCREWS SHOULD BE PLACED 3" TO 8" FROM EACH CORNER AND 12" TO 18" ON CENTER IN THE JAMB. THE SCREW SPACING IN THE HEAD AND SILL WOULD BE 3" TO 8" FROM THE CORNER AND 18" TO 24" ON CENTER.

FOR WINDOWS REQUIRED TO MEET IMPACT



Robert J. Bradley
6/17/02