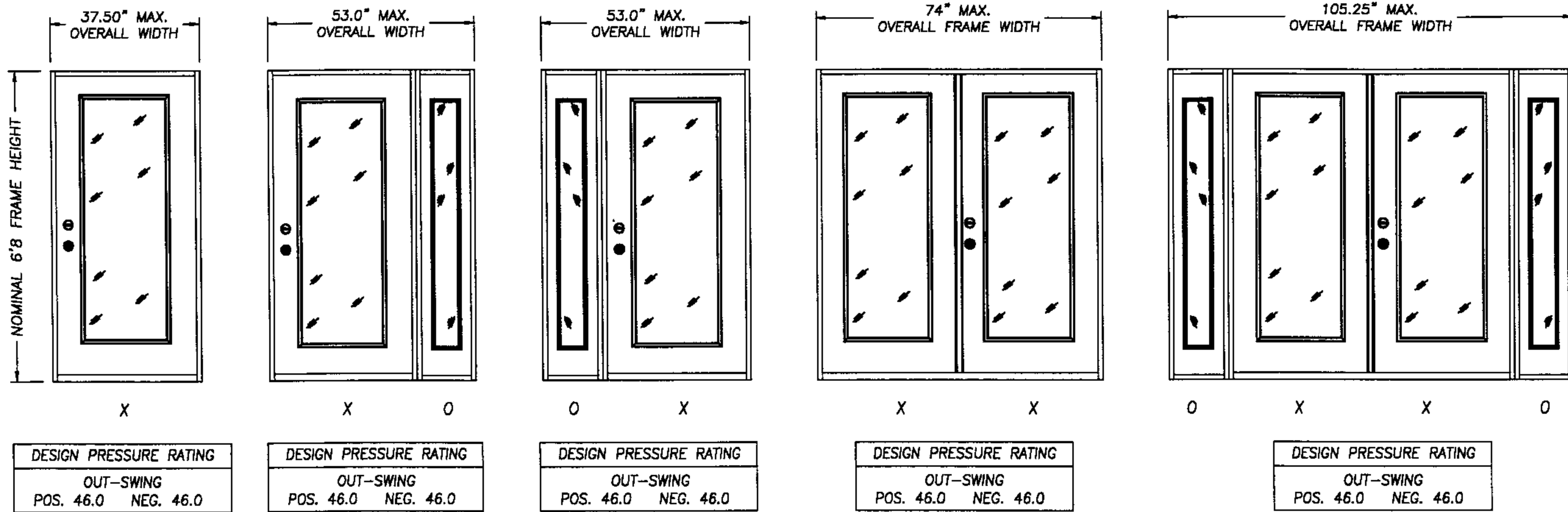


DoorCraft® GLADIATOR

WOOD EDGE GLAZED INSULATED STEEL DOOR
OUT-SWING 6-8 UNITS W/ & W/O SIDELITES



GENERAL NOTES

1. THIS PRODUCT IS DESIGNED TO COMPLY WITH THE FLORIDA BUILDING CODE.
2. PRODUCT ANCHORS SHALL BE AS LISTED AND SPACED AS SHOWN ON DETAILS.
3. THE DOORS AND SIDELITES REQUIRE WINDBORNE DEBRIS EXTERNAL PROTECTION AS DESCRIBED IN SECTION 1626.1 OF THE FLORIDA BUILDING CODE WHEN USED IN WINDBORNE DEBRIS AREAS.
4. FOR OUTSWING MASONRY ANCHORING SEE SHEET 2 OF 4.
5. FOR OUTSWING WOOD STUD ANCHORING SEE SHEET 3 OF 4.

PRODUCT DESCRIPTION

1. THE DOOR FACE SHEETS ARE 25 GA. (0.018") MIN. THICKNESS.
2. THE STILES AND RAILS ARE WOOD CONSTRUCTION.
3. THE INTERIOR DOOR CAVITY IS EXPANDED POLYSTYRENE.
4. THE DOOR AND SIDELITE GLAZING ARE 0.5" INSULATED GLASS BY ODL.
5. THE WOOD JAMBS ARE A MIN. 4-9/16".
6. THE THRESHOLD IS AN ALUMINUM BUMP FACE TYPE (OUTSWING).
7. ALL LATCHBOLT AND DEADBOLT HARDWARE MUST BE CYLINDRICAL GRADE II WITH A 161 EDGE PREP AND A MINIMUM 1.0" DEADBOLT THROW.

Lyndon F. Schmidt
 Lyndon F. Schmidt
 Florida P. E. No. 43409
 19506 French Loco Drive Lutz, FL 33558
 DATE: 6/12/02
 SCALE: N.T.S.
 DWG. BY: WLN
 CHK. BY: RW
 DRAWING NO.: JW-104-OC

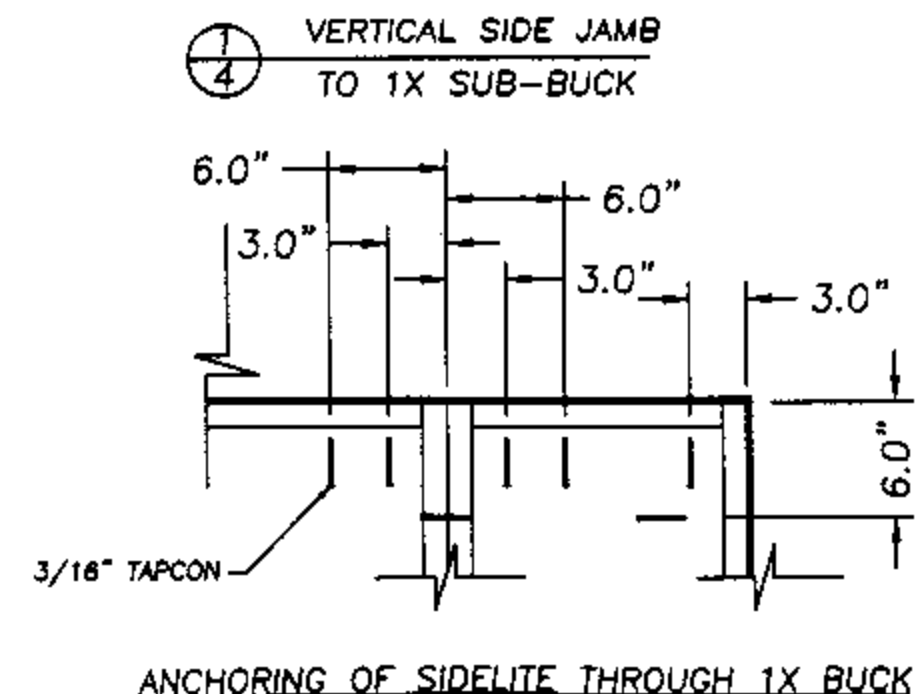
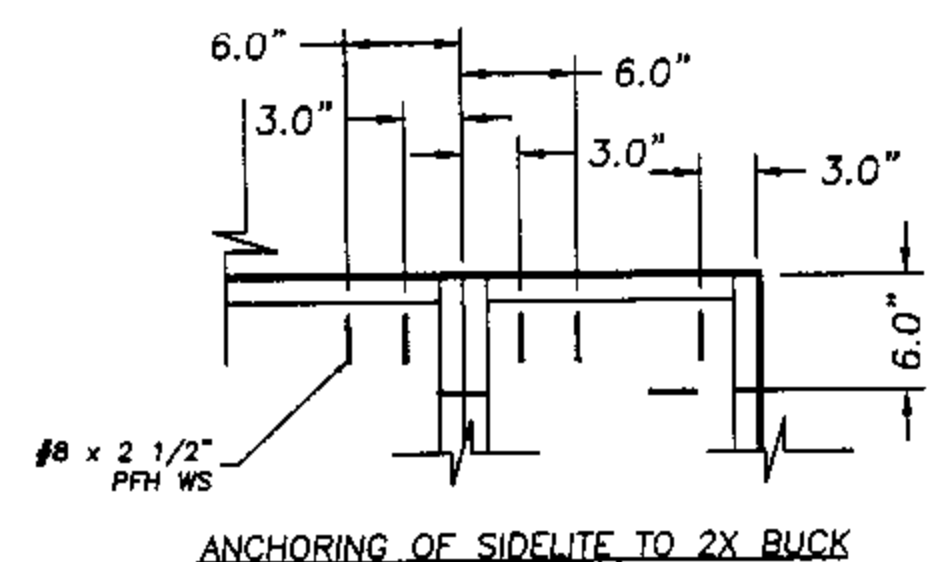
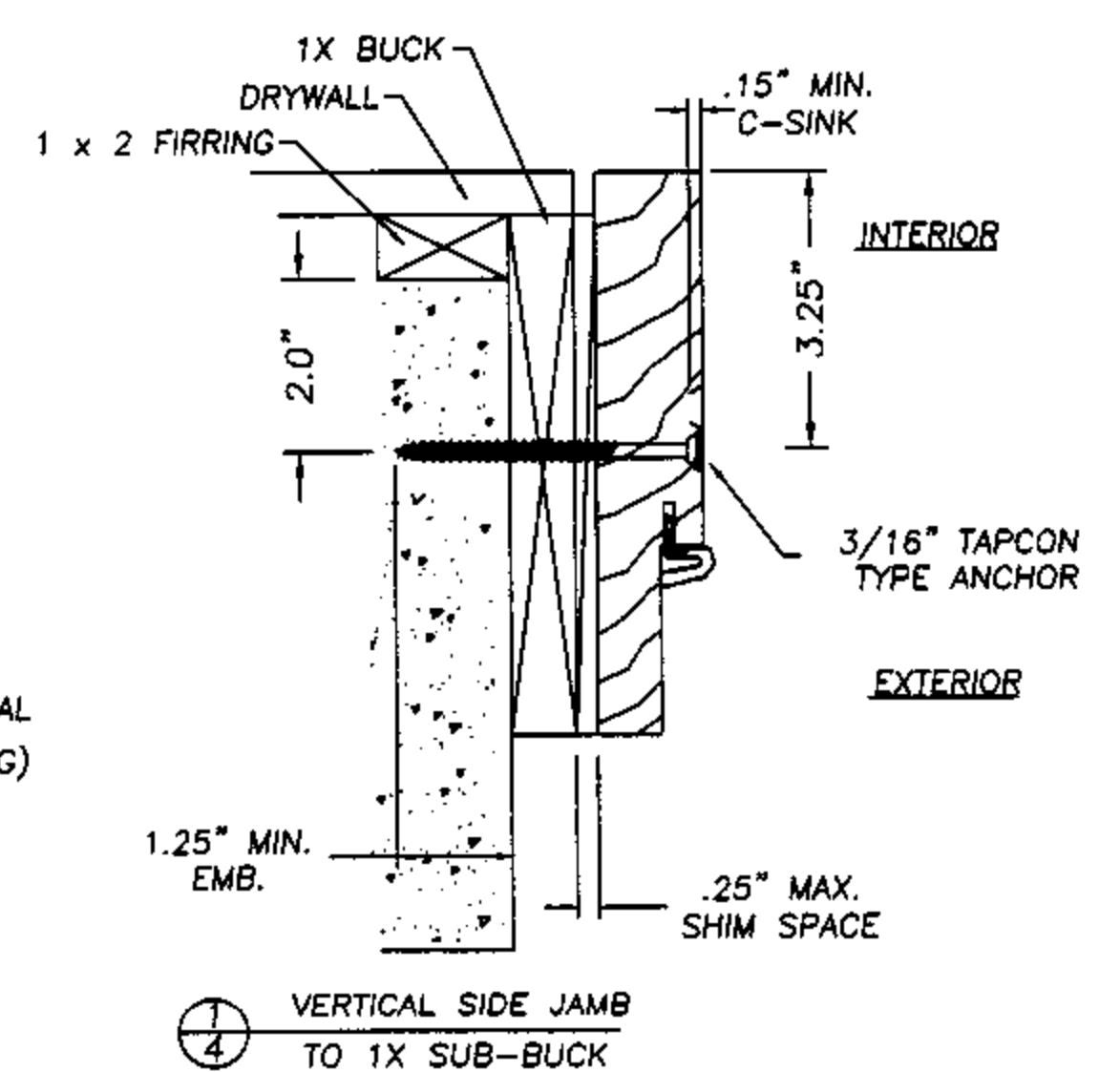
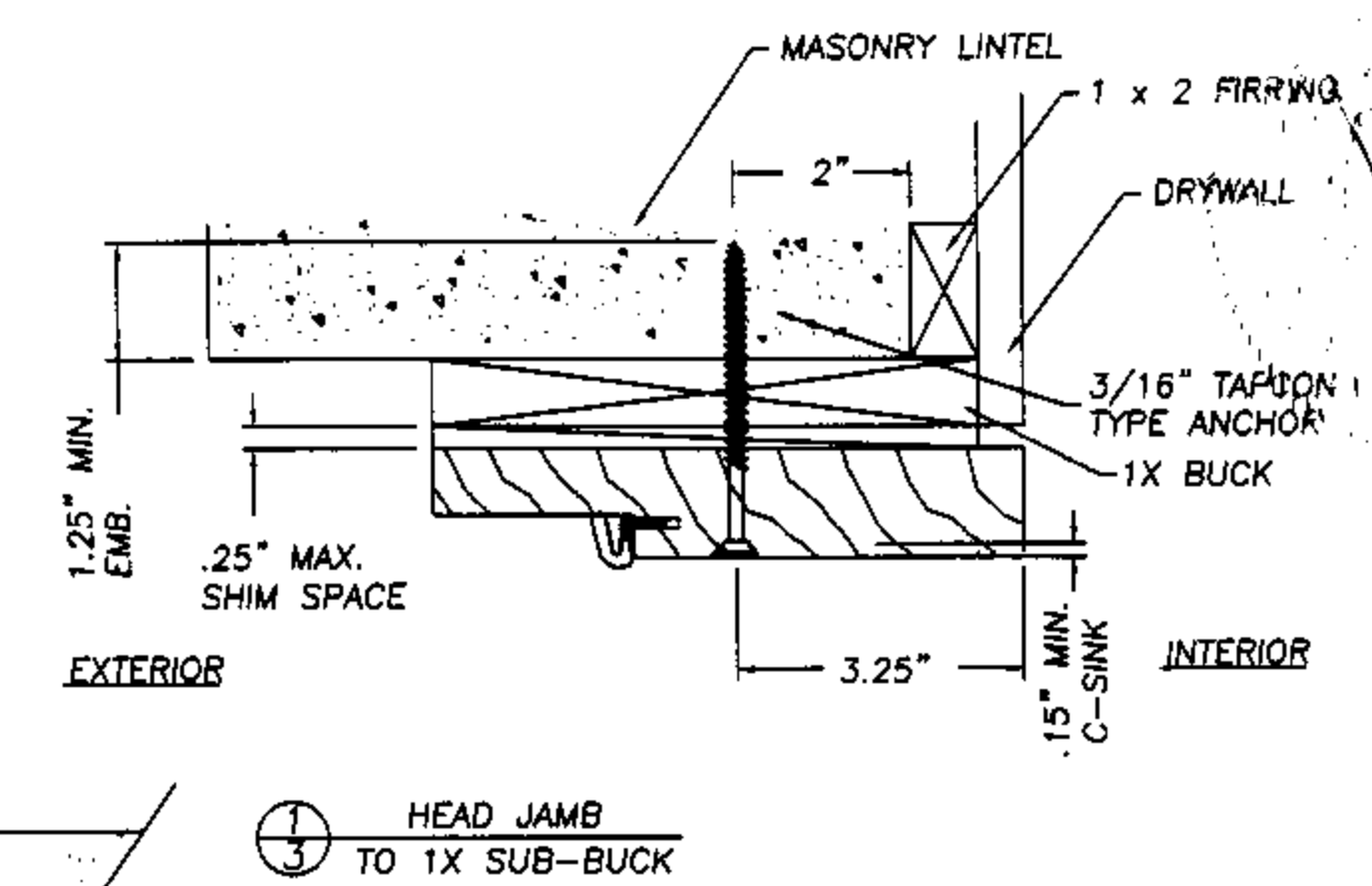
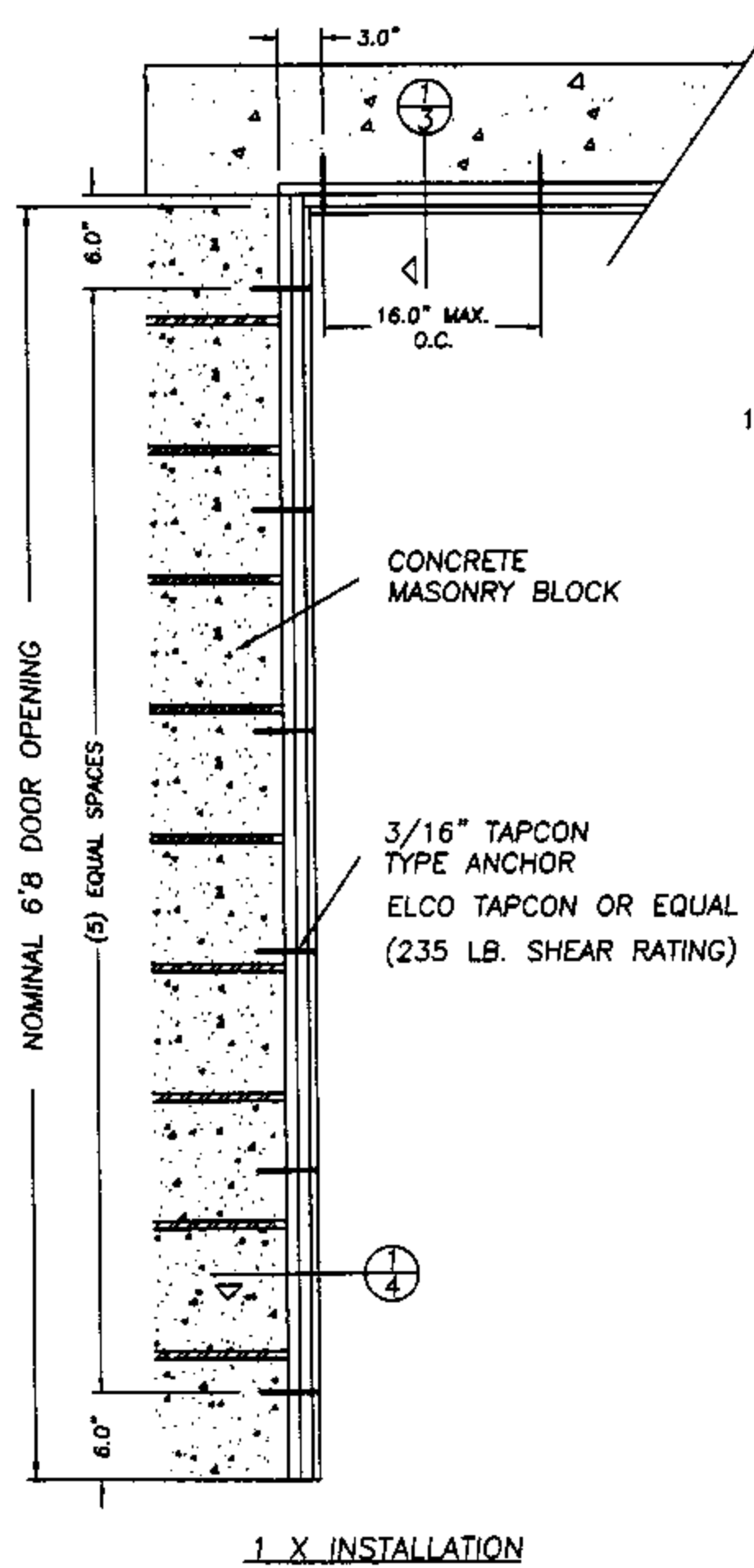
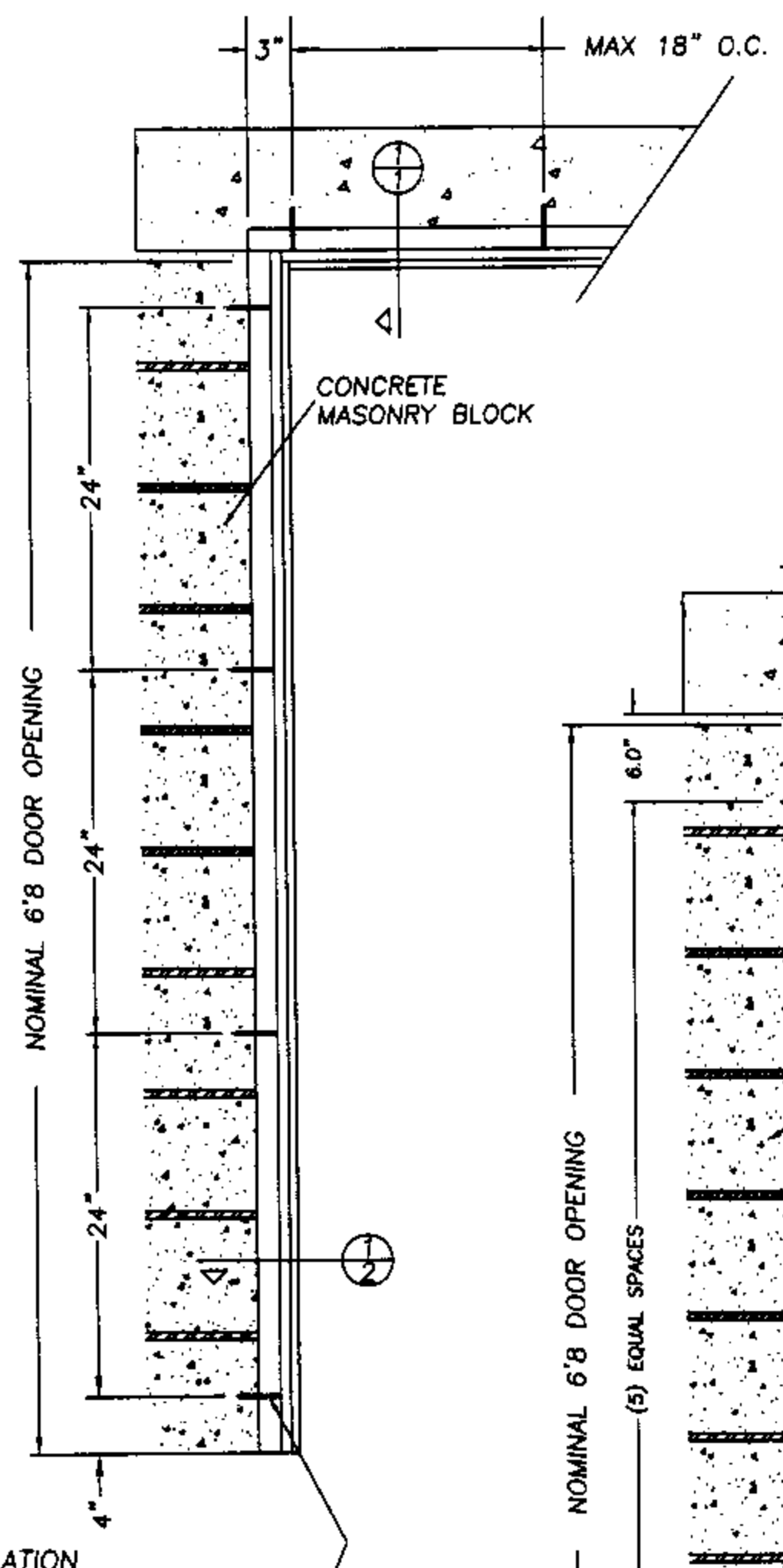
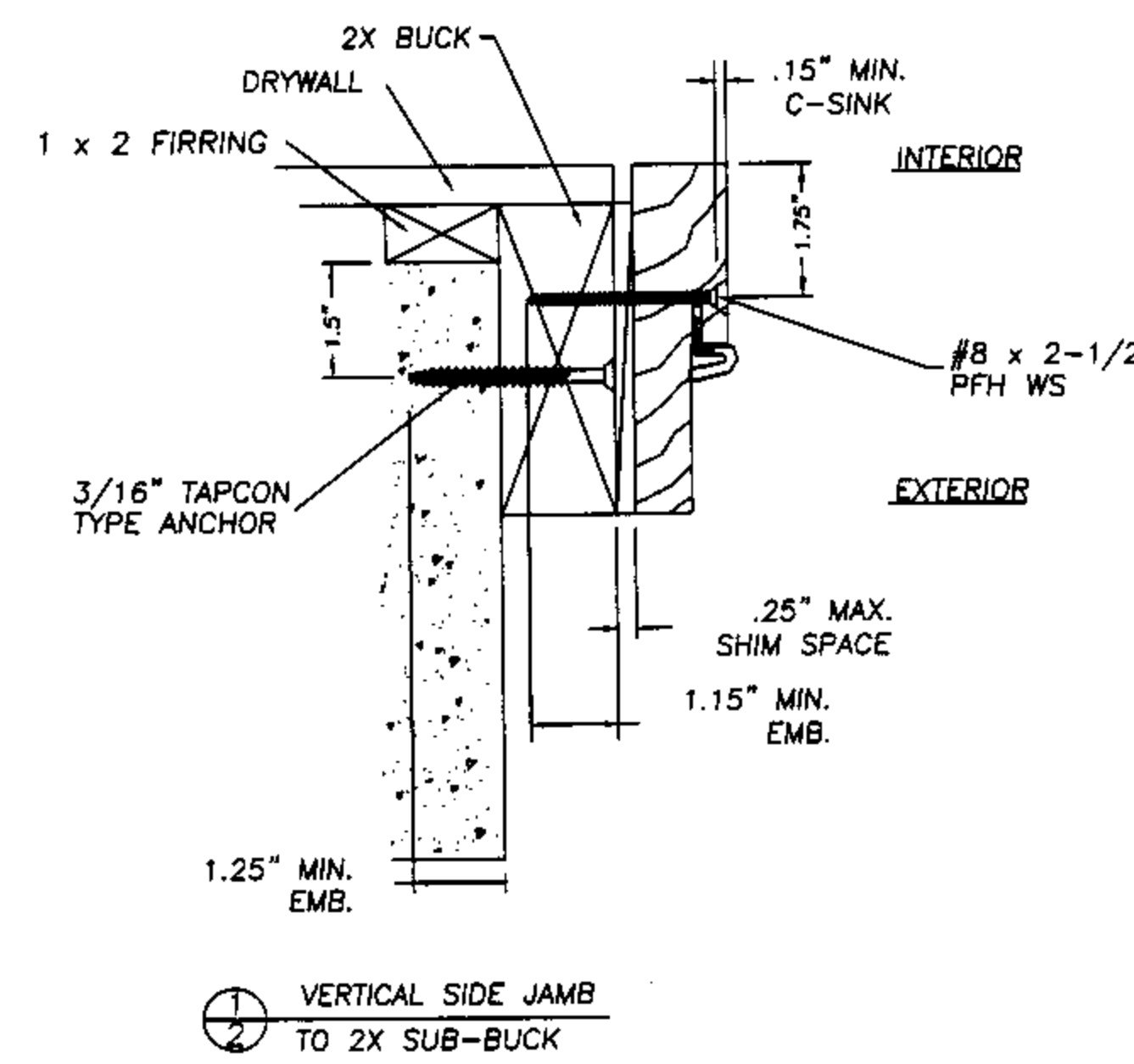
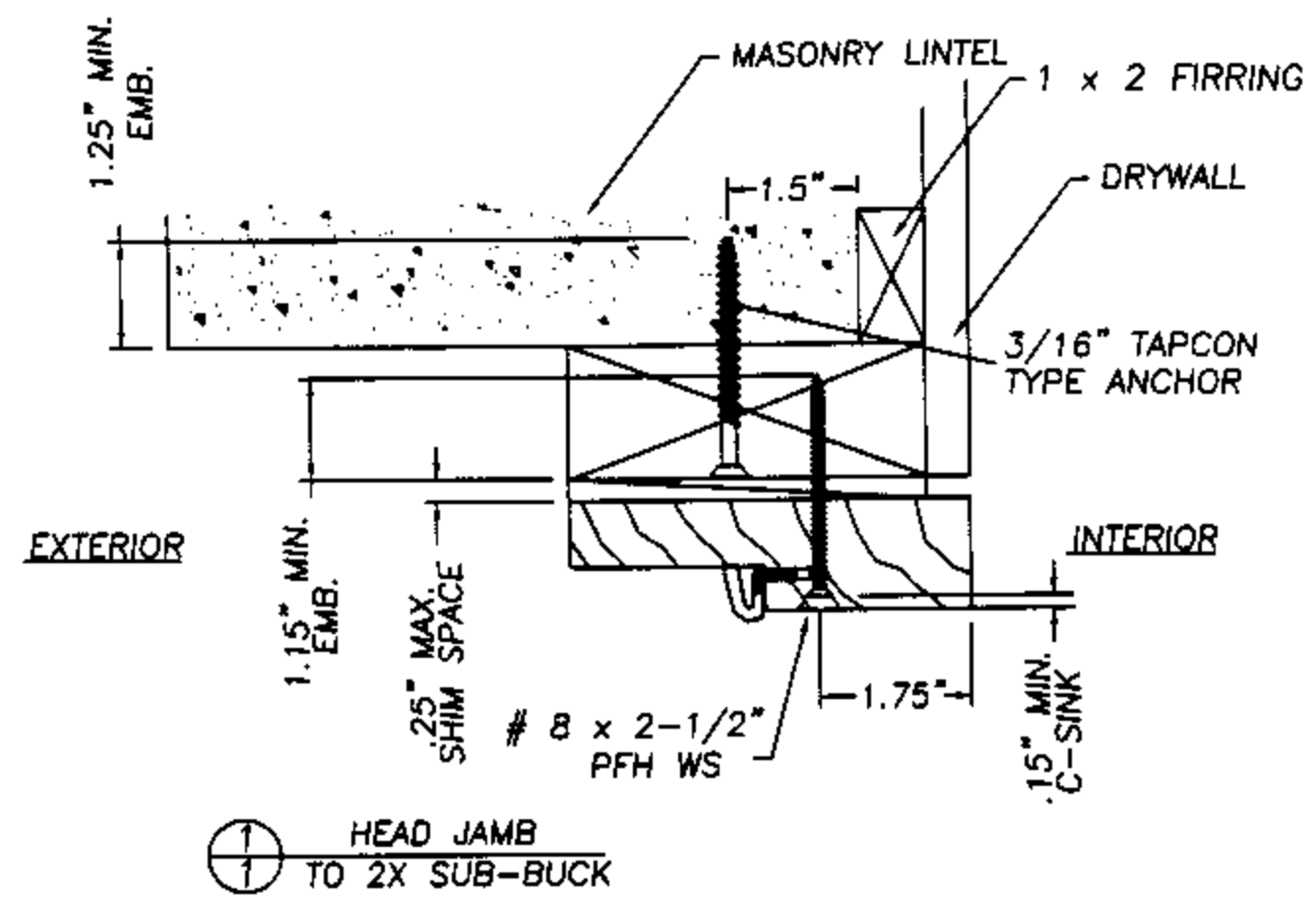
JELD-WEN, INC.
 31725 HIGHWAY 97 NORTH
 CHILOQUIN, OR. 97624
 PH. 541.783.2057

PRODUCT: GLADIATOR
 WOOD EDGE STEEL DOOR
 GLAZED W/WO SIDELITES
 PART OR ASSEMBLY:
 GENERAL NOTES &
 TYPICAL ELEVATIONS

NO.	DATE	ADDED HARDWARE NOTE	BY	REVISIONS
1	6/28/02	TJH		

RW BUILDING
 CONSULTANTS, INC.
 813.659.9197

DATE: 6/12/02
 SCALE: N.T.S.
 DWG. BY: WLN
 CHK. BY: RW
 DRAWING NO.: JW-104-OC
 SHEET 1 OF 3



NOTE:
1. When using a 1X sub-buck a 6-9/16" jamb is required to allow for min. edge spacing for Tapcon type anchors.
2. A minimum clearance of 2.0" for all anchoring screws to mortar joints must be maintained.

2 X INSTALLATION
3/16" TAPCON TYPE ANCHOR ELCO TAPCON OR EQUAL (235 LB. SHEAR RATING)

1 X INSTALLATION

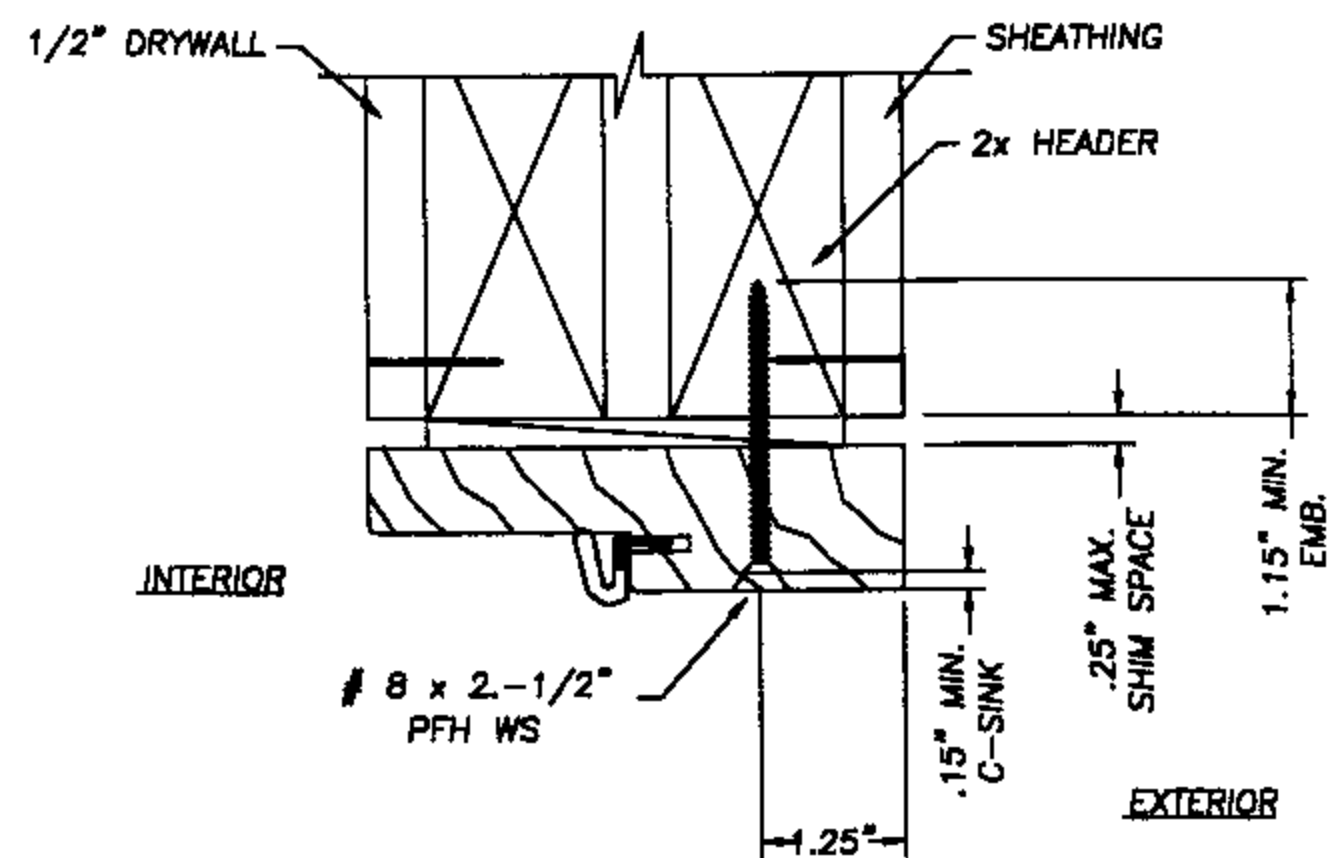
JUNE 25, 2002
Lyndon F. Schmidt
Florida P. E. No. 43409
19506 French Lace Drive
Lutz, FL 33558

JELD-WEN, INC.
31725 HIGHWAY 97 NORTH
CHILOQUIN, OR. 97624
PH. 541.783.2057

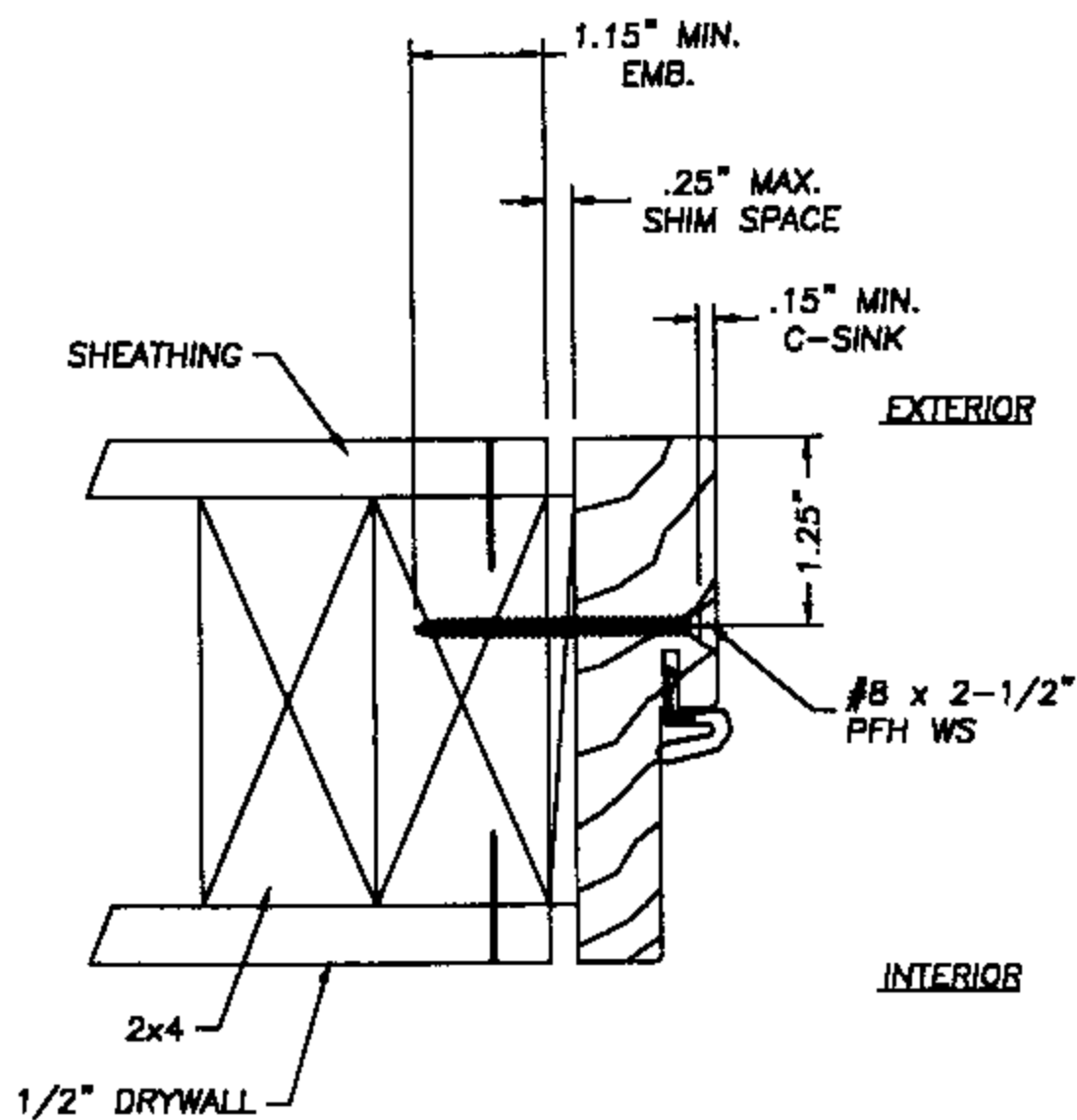
ANCHOR CROSS SECTIONS
MASONRY 6'8"
OUT-SWING WOOD FRAME

RW BUILDING CONSULTANTS, INC.
813.659.9197

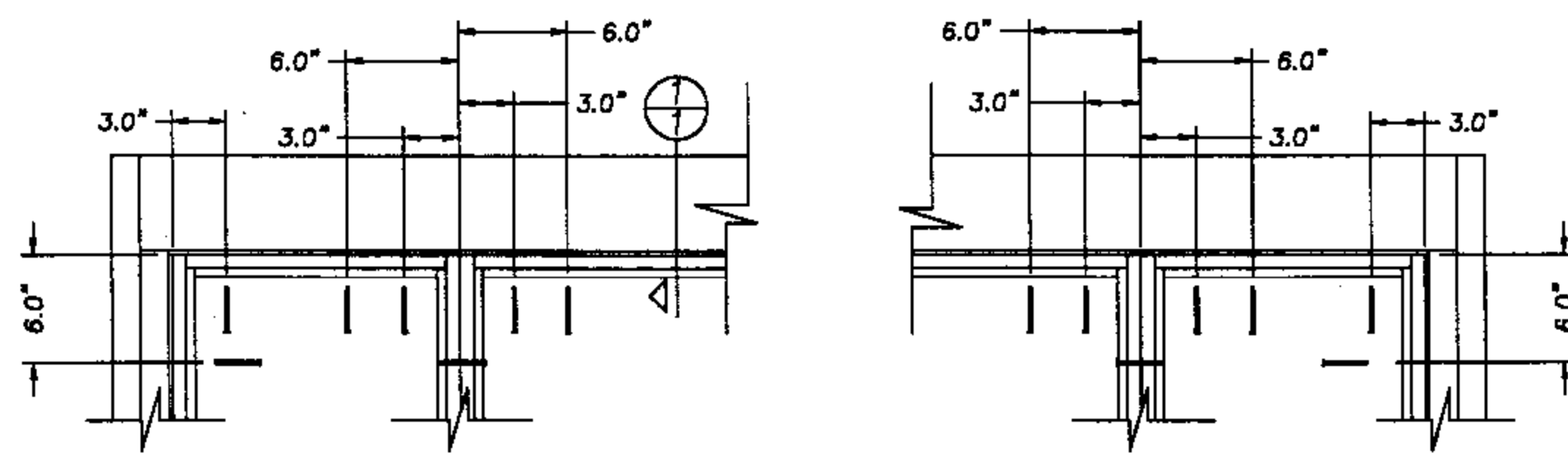
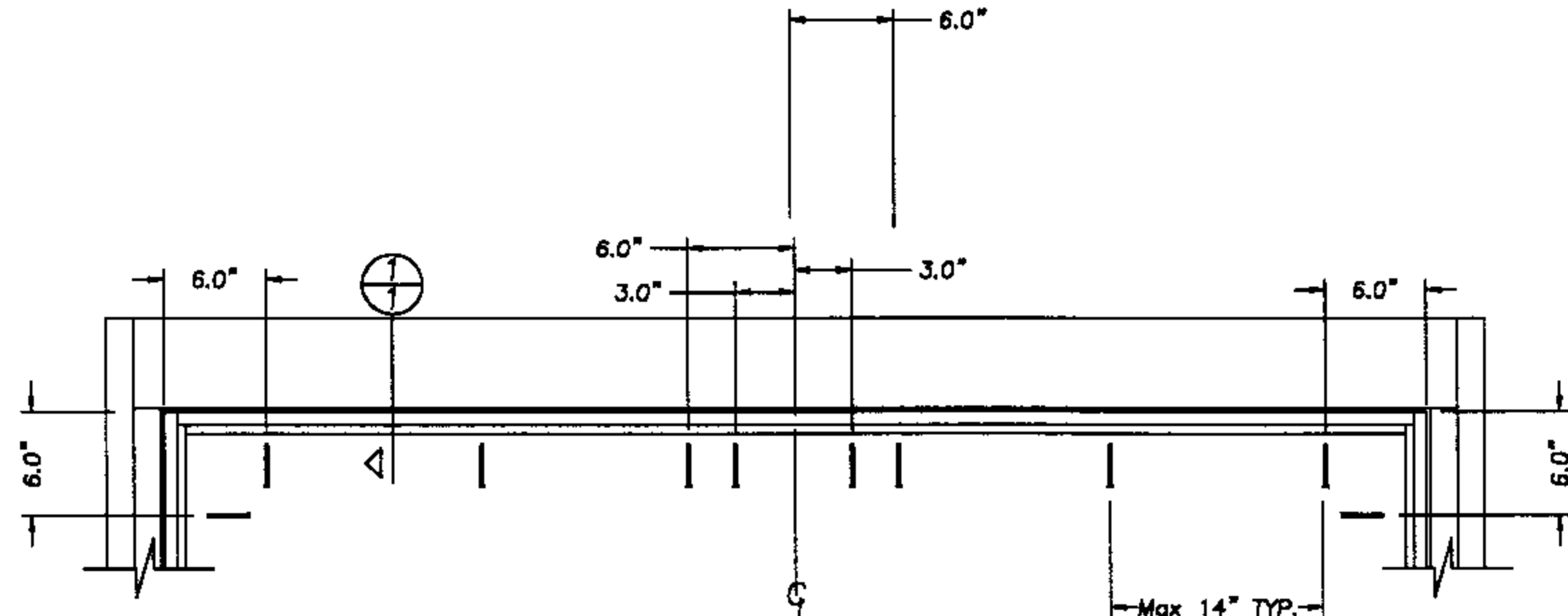
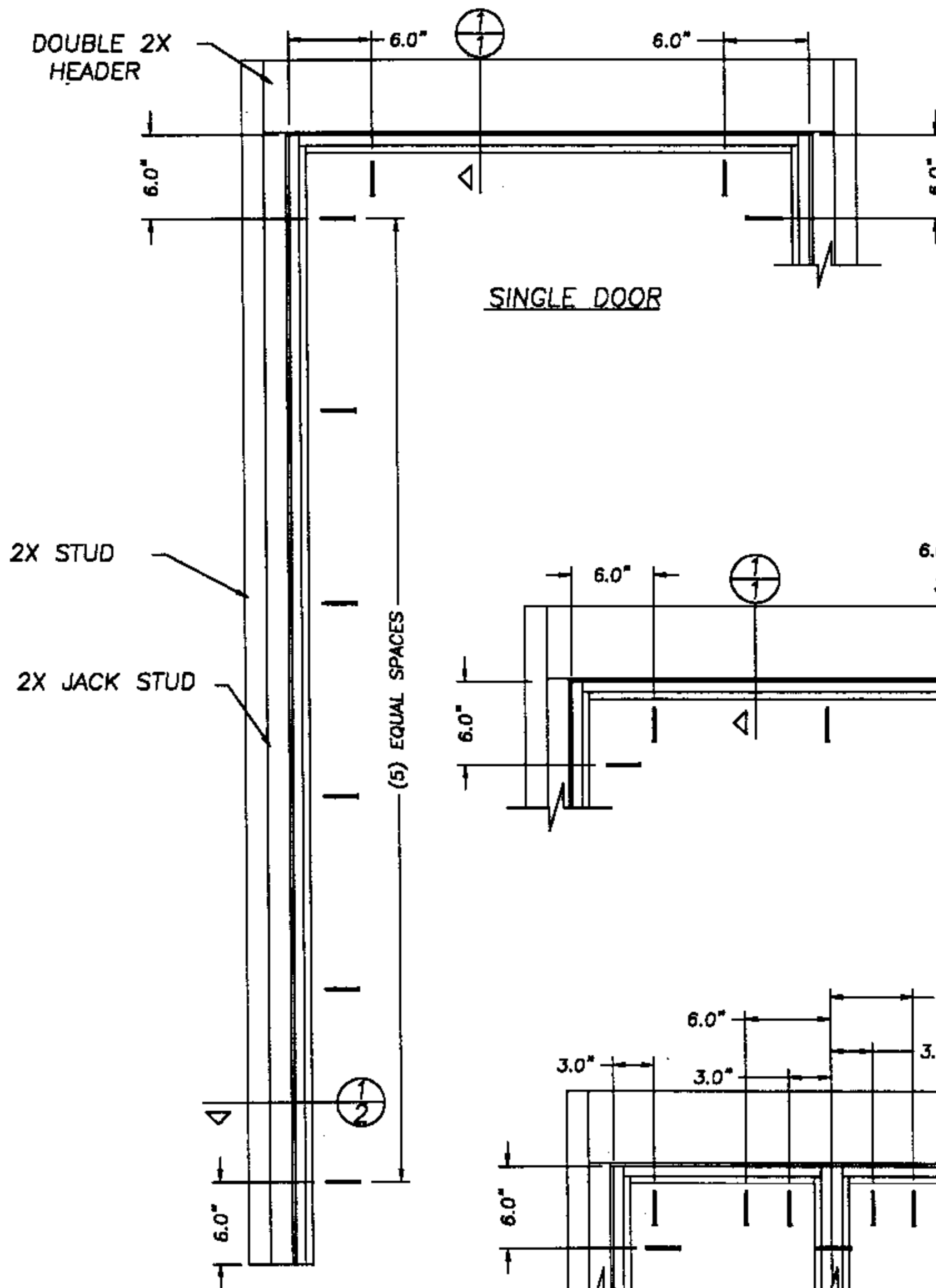
DATE: 6/12/02
SCALE: NTS
DWG. BY: WLN
CHK. BY: RW
DRAWING NO.: JW-104-OC
SHEET 2 OF 3



HEAD JAMB



VERTICAL SIDE JAMB



JUNE 28, 2002
 Lyndon F. Schmidt
 Florida P. E. No. 43409
 19506 Freyach Lane Drive
 Lutz, FL 33558

JELD-WEN, INC.
 31725 HIGHWAY 97 NORTH
 CHILOQUIN, OR. 97624
 PH. 541.783.2057

ANCHOR CROSS SECTIONS
 WOOD OR STEEL STUD
 OUT-SWING
 WOOD FRAME

RW BUILDING
 CONSULTANTS, INC.
 813.659.9197

DATE: 6/12/02
 SCALE: NTS
 DWG. BY: WLN
 CHK. BY: RW
 DRAWING NO.:
 JW-104-OC
 SHEET 3 OF 3