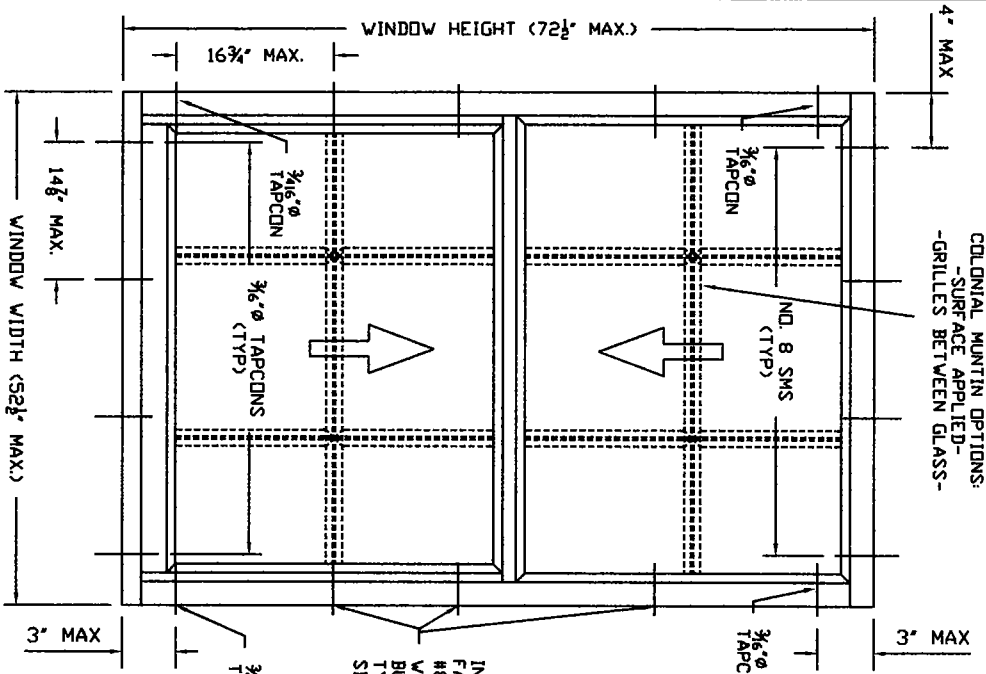
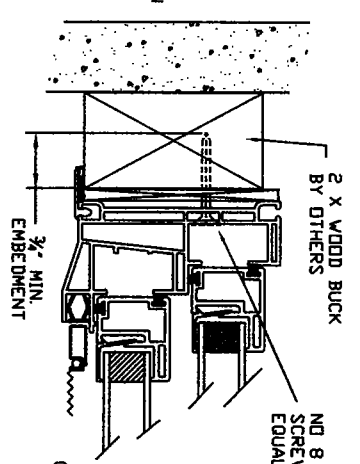


COLUMNIAL MUNTIN OPTIONS:  
- SURFACE APPLIED -  
- GRILLES BETWEEN GLASS -

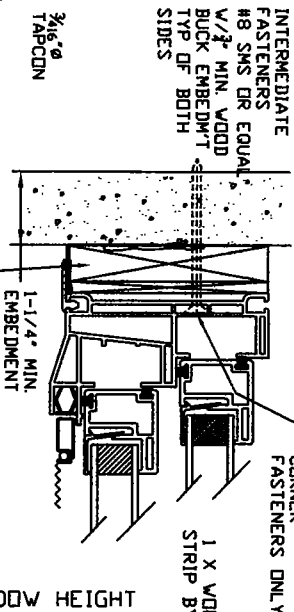


TYPICAL ELEVATION W/FASTERER LOCATIONS

- WINDOW INSTALLATION NOTES:
1. DESIGN STRUCTURAL LOAD/RATING: 35 PSF/H-R35 & 50 PSF/H-R50
  2. CERTIFIED TEST REPORT: CTUA-751W-R & CTUA-751W-A
  3. FRAME: PVC/FLANGE TYP
  4. GLASS: SINGLE PANE & INSULATED
  5. FASTENERS: 304 SS OR COATED FOR CORROSION RESISTANCE.
  6. GLAZING: EXTERIOR GLAZED W/ADHESIVE BACK-BEDDING & SNAP IN EXTERIOR RIGID PVC GLAZE BEAD
  7. WINDOW SEALANTS: COMPLY W/AMA 800-92 OR EQUIVALENT.
  8. WINDOW WOOD BUCKS: STRUCTURAL INTEGRITY AND ATTACHEMENT TO THE WINDOW OPENING IS THE SOLE RESPONSIBILITY OF THE ARCHITECT, BLDG. OWNER OR CONTRACTOR.
  9. STATE & LOCAL BLDG. CODES: THE CONFORMANCE IS SOLE RESPONSIBILITY OF THE ARCHITECT, BLDG. OWNER OR CONTRACTOR.

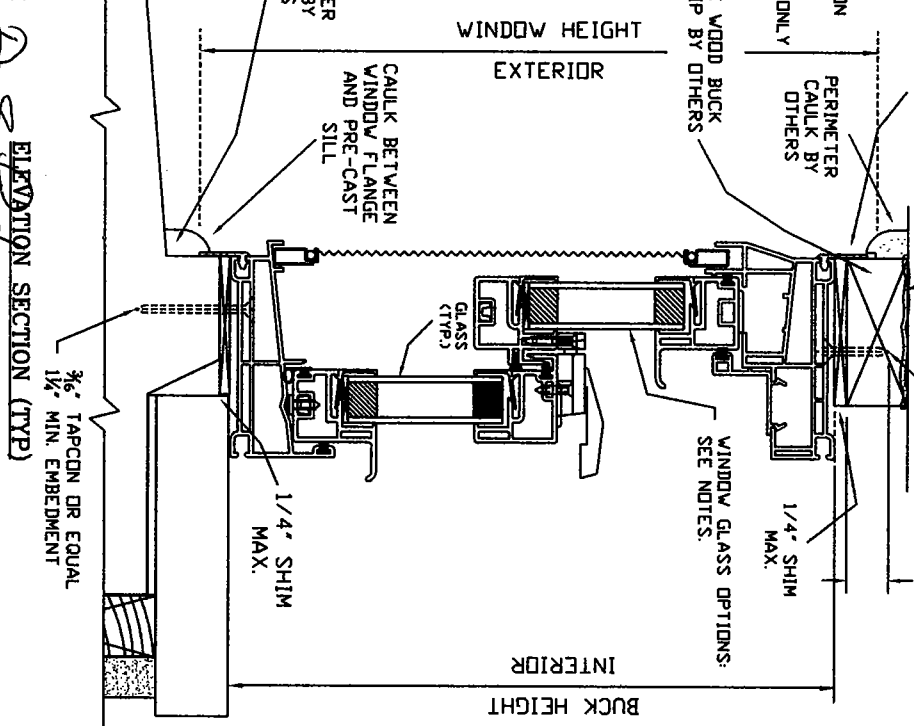


2 X BUCK JAMB SECTION (TYP)  
NOTE: CAULK BETW. BUCK & MASONRY, FLAG & BUCK & WINDOW PERIMETER.



1 X BUCK JAMB SECTION (TYP)  
NOTE: CAULK BETW. BUCK & MASONRY, FLAG & BUCK & WINDOW PERIMETER.

TYPICAL PRE-CAST SILL BY OTHERS



ELEVATION SECTION (TYP)

PRODUCT SERIES:  
**7400 PVC DOUBLE HUNG**  
MASONRY INSTALLATION

SEASONSHIELD INC.  
DRAWING NUMBER

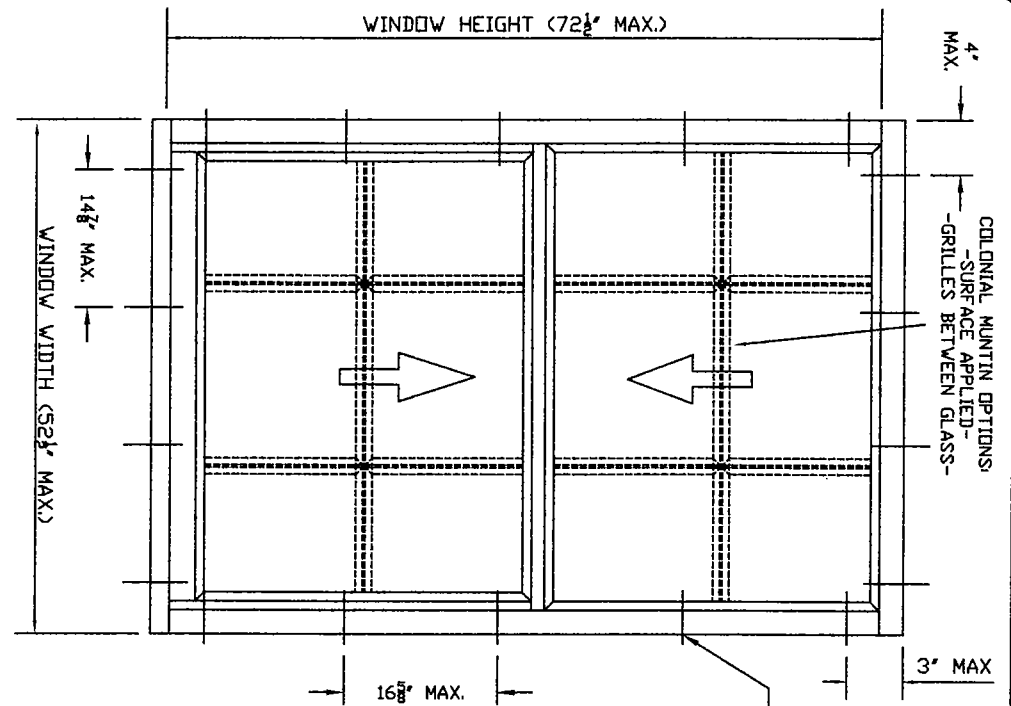
Engineering Approvals:  
Douglas Preston, PE  
FL License No. 53291  
11531 Wellman Dr.  
Riverview, FL 33569 (813)689,9418

DATE: 03/02/02  
SCALE: N.T.S.  
DRAWN BY: N.G.H.

74M  
1 OF 1



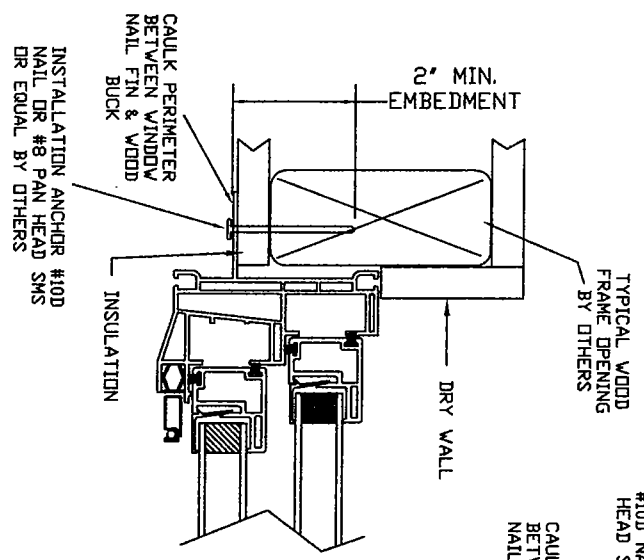
COLONIAL MUNTIN OPTIONS:  
-SURFACE APPLIED-  
-GRILLES BETWEEN GLASS-



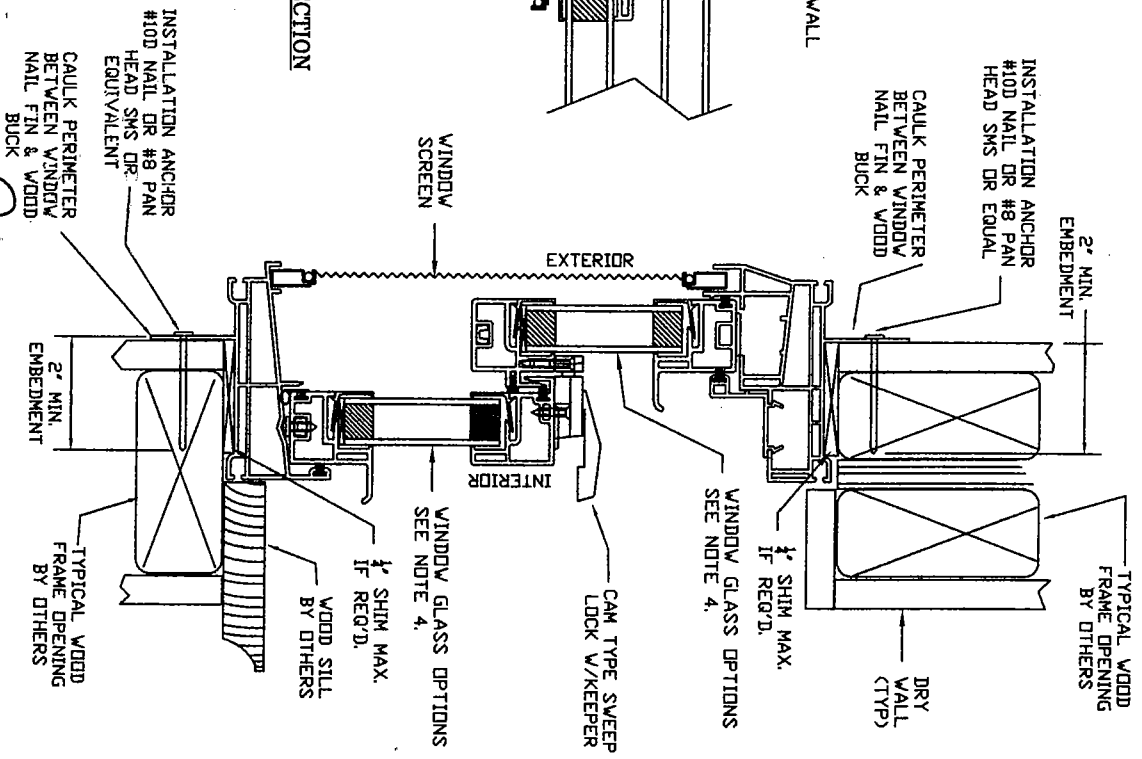
TYPICAL ELEVATION W/FASTENER LOCATIONS

- WINDOW INSTALLATION NOTES:
1. DESIGN STRUCTURAL LOADS/RATINGS: 35 PSF/H-R35 & 50 PSF/H-R50
  2. CERTIFIED TEST REPORT: CTA-751W-R & CTA-751W-A
  3. FRAME: PVC/FIN TYP
  4. GLASS: SINGLE PANE & INSULATED
  5. FASTENERS: 304 SS OR COATED FOR CORROSION RESISTANCE.
  6. GLAZING: EXTERIOR GLAZED W/ADHESIVE BACK-BEDDING & SNAP IN EXTERIOR RIGID PVC GLAZE BEAD
  7. WINDOW SEALANTS: COMPLY W/AMA 800-92 OR EQUIVALENT.
  8. STATE & LOCAL BLDG. CODES, CONFORMANCE IS SOLE RESPONSIBILITY OF THE ARCHITECT, BLDG. OWNER OR CONTRACTOR.

WINDOW FASTENER:  
SEE NOTE 5.



TYPICAL JAMB SECTION



TYPICAL ELEVATION SECTION (TYP)

PRODUCT SERIES:  
**7400 PVC DOUBLE HUNG**  
WOOD FRAME INSTALLATION

SEASONSIELD INC.  
DRAWING NUMBER

74W

SHEET NUMBER

1 of 1

Engineering Approvals:

Douglas Preston, PE  
FL License No. 53291  
11531 Wellman Dr.  
Riverview, FL 33569 (813)689-9418

\*\*\*\*\* Note \*\*\*\*\*

PE Certification is for structural loads only.

Date:

03/02/02

Scale:

N.T.S.

Drawn By:

NIGH

