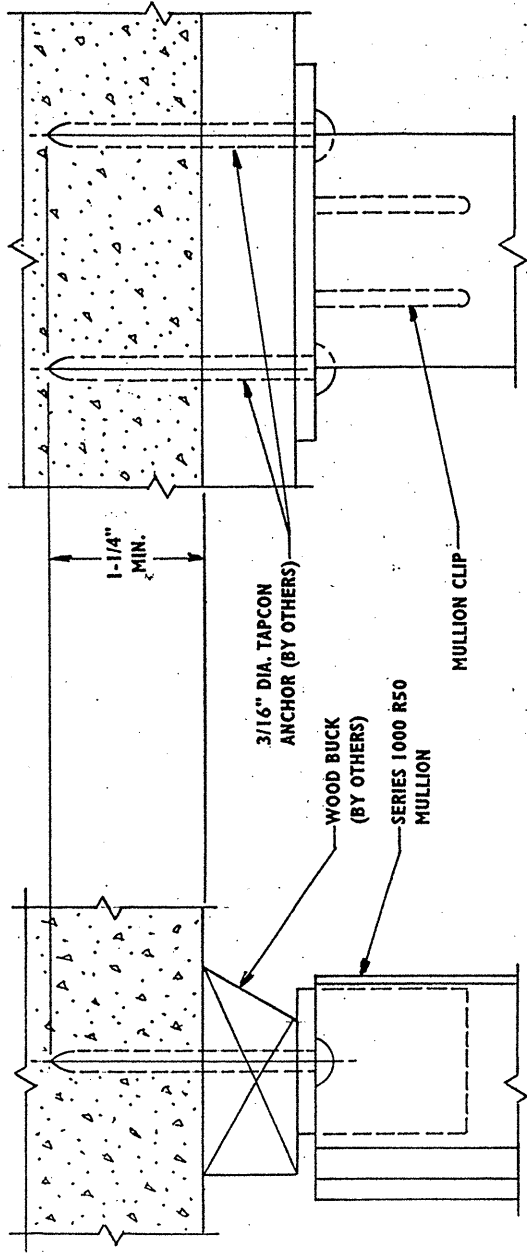
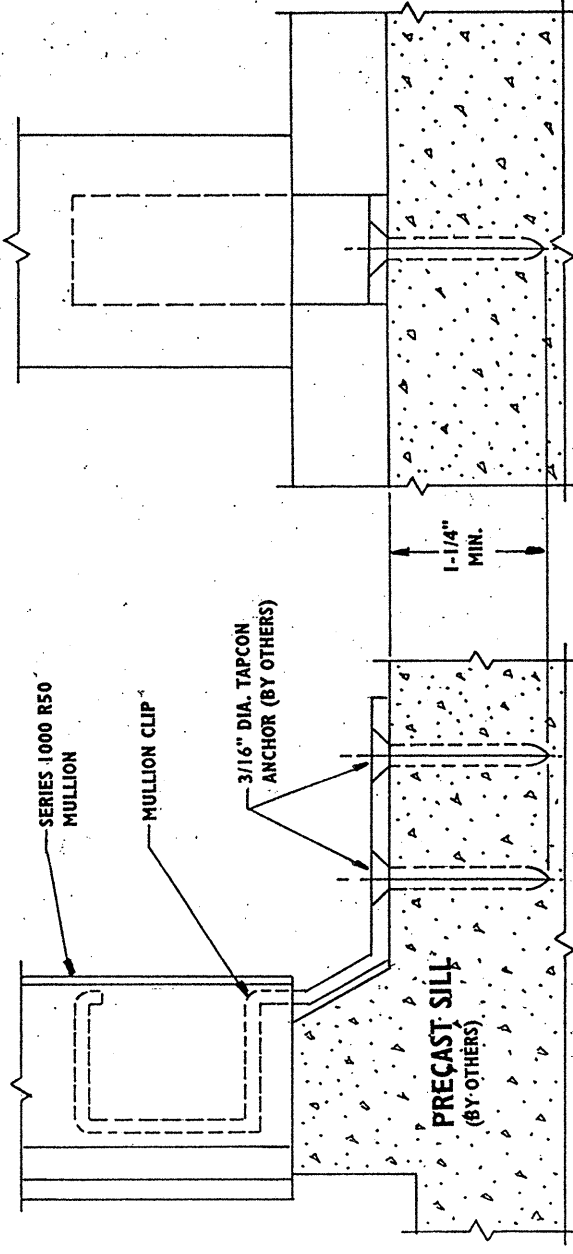


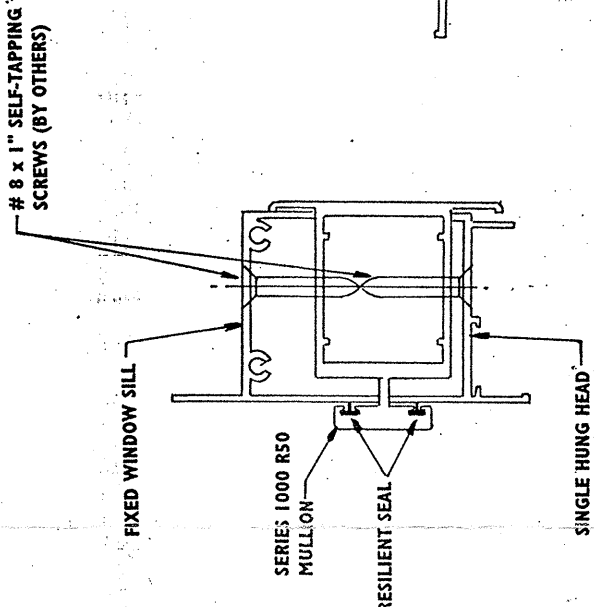
MULLION ANCHOR DETAIL AT C



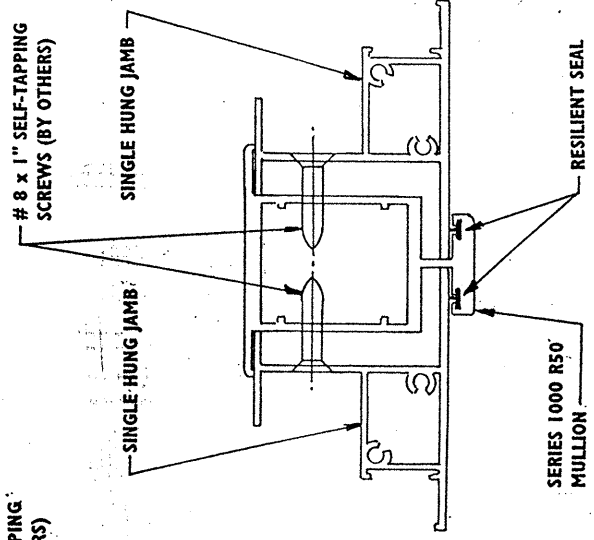
MULLION ANCHOR DETAIL AT D



MULLION ANCHOR DETAIL AT E

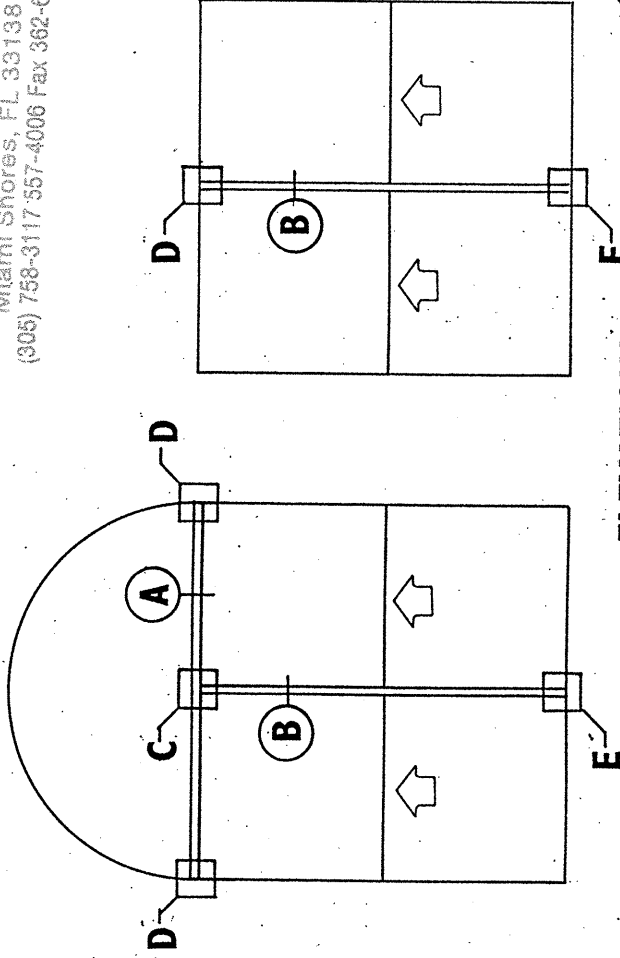


SECTION AT A



SECTION AT B

ROBT. E. FISHER
WM. M. MEYERS, P.E.
Consulting Engineers
9301 N.E. 6th Ave. C-306
Miami Shores, FL 33138
(305) 758-3117-557-4006 Fax 362-6282



ELEVATIONS

MILCO BUILDING PRODUCTS Swainsboro, GA		APPROVED BY: HMR
SCALE: NONE	DATE: 04/15/02	REVISED:
R50 MULLION INSTALLATION INSTRUCTIONS MILCO SERIES 1000 SINGLE HUNG TYWIN WINDOW		
Series 1000/5000/7000 DP50	DRAWING NUMBER	MU-1000

FLA. 18755

STRUCTURAL

Date: 04/15/02