

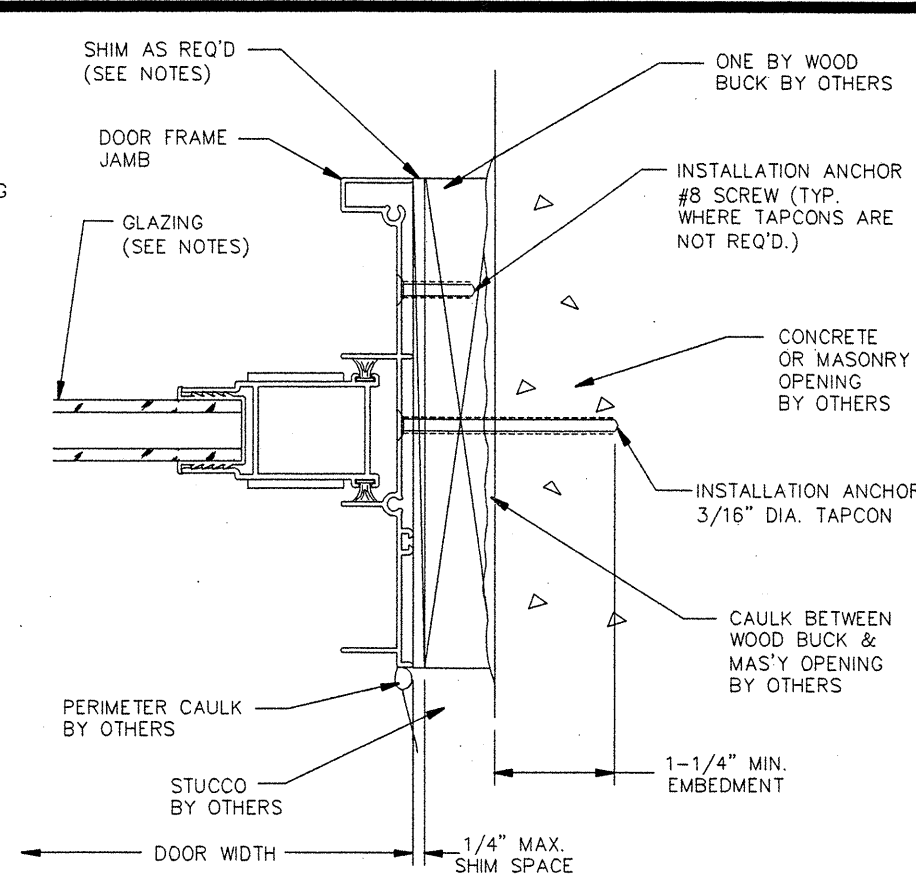
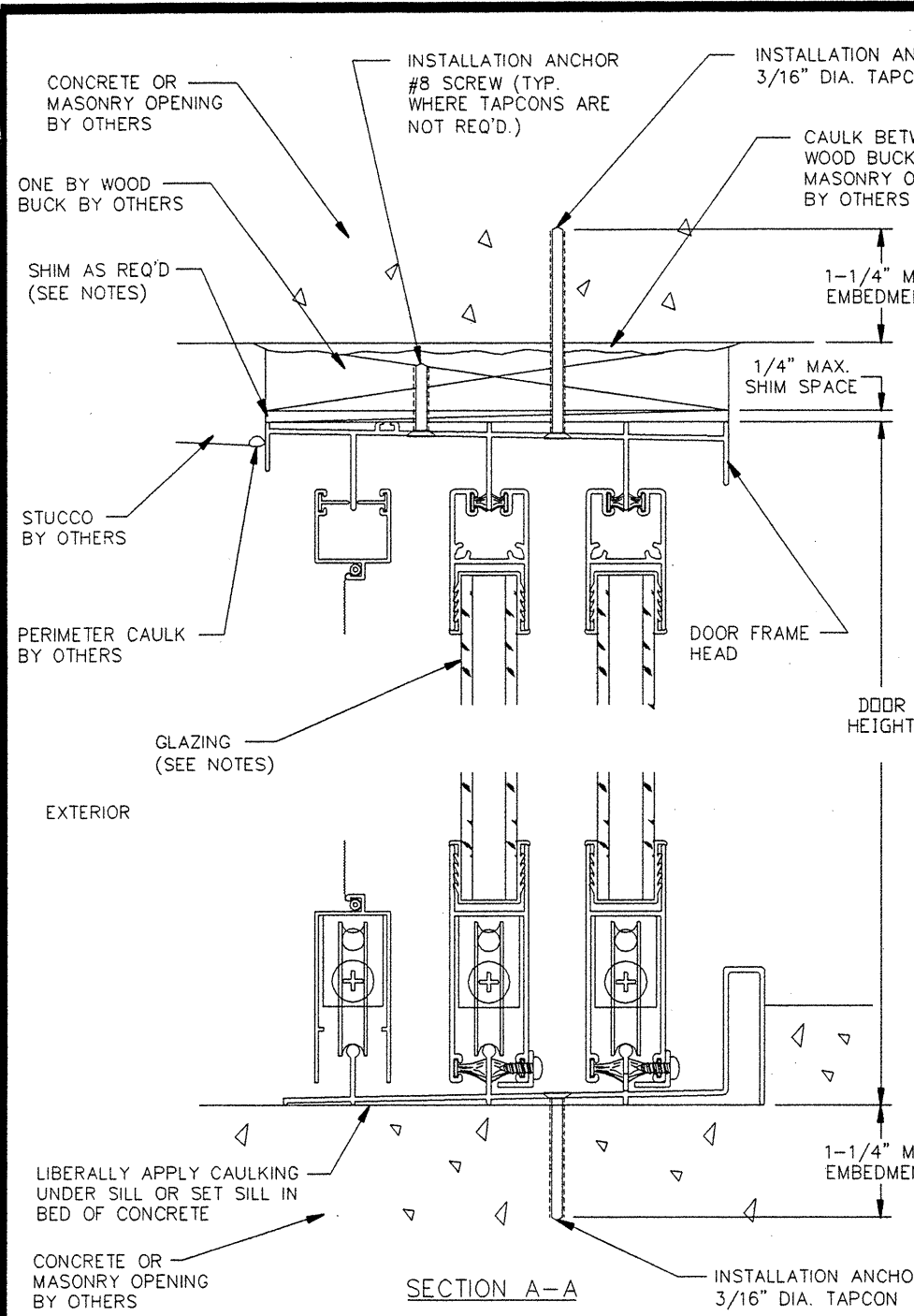


MI Home Products, Inc.
650 West Market St.
P.O. Box 370
Gratz, PA 17030-0370

(717) 365-3300
(717) 362-7025 Fax

420/430/440 SLIDING GLASS DOOR

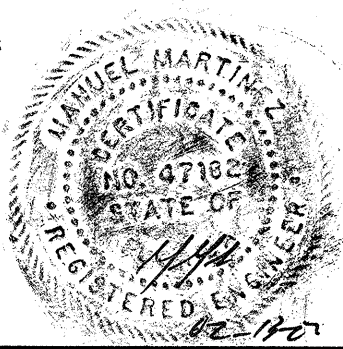
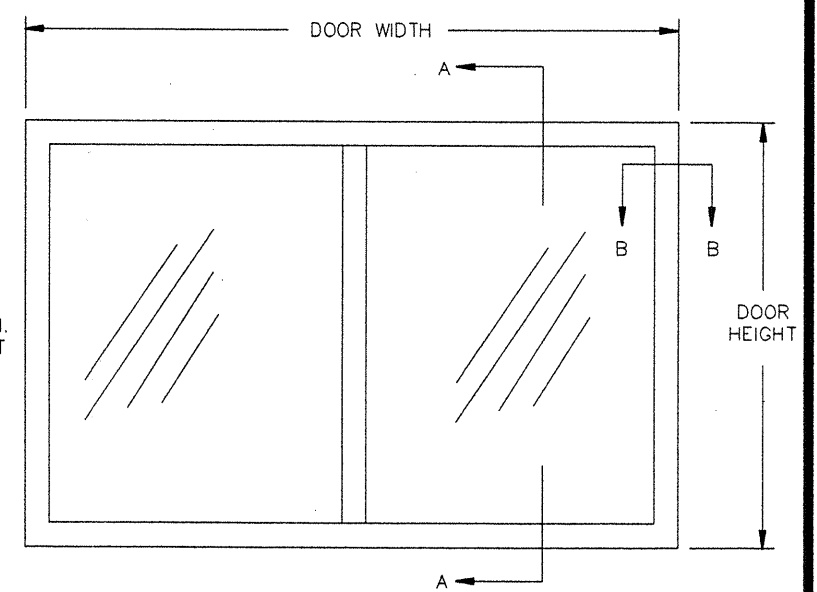
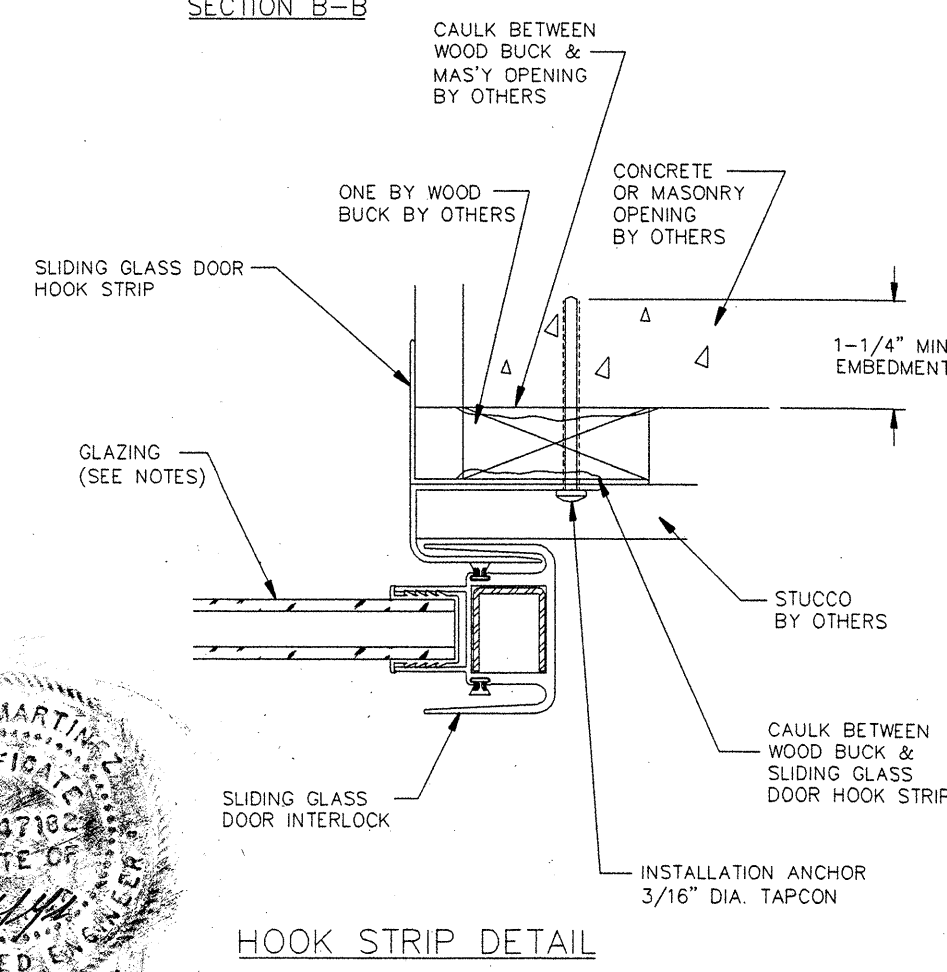
- Test Report #NCTL-210-2065-1
- Comparative Analysis (Reinforced)
- Comparative Analysis (Unreinforced)
- Installation Instructions/Fastener Schedule
- Sample Label



TAPCON INSTALLATION CHART

CALL SIZE	DOOR SIZE	LOCATION IN HEAD & SILL				EA. JAMB				QT'Y. IN HOOK STRIP			
		UP TO 45 PSF DP	46 PSF TO 60 PSF DP	61 PSF TO 70 PSF DP	UP TO 70 PSF DP	UP TO 45 PSF DP	46 PSF TO 60 PSF DP	61 PSF TO 70 PSF DP	UP TO 45 PSF DP	46 PSF TO 60 PSF DP	61 PSF TO 70 PSF DP		
5068 XO, OX, XX	60 X 80	3	3	3	4	3	4	4					
6068 XO, OX, XX	72 X 80	4	4	4	4	3	4	5					
8068 XO, OX, XX	96 X 80	5	5	5	4	3	4	5					
10068 XO, OX, XX	120 X 80	6	6	7	4	3	4	5					
5080 XO, OX, XX	60 X 96	3	3	3	5	4	5	6					
6080 XO, OX, XX	72 X 96	3	3	3	5	4	5	6					
8080 XO, OX, XX	96 X 96	4	4	5	5	4	6	6					
10080 XO, OX, XX	120 X 96	6	6	7	5	4	6	6					
7668 OXO	91-3/4 X 80	5	5	5	4	3	4	5					
9068 OXO	109-3/4 X 80	5	5	6	4	3	4	5					
12068 OXO	145-3/4 X 80	7	7	9	4	3	4	5					
15068 OXO	181-3/4 X 80	8	10	11	4	3	4	5					
7680 OXO	91-3/4 X 96	5	5	5	5	4	6	6					
9080 OXO	109-3/4 X 96	5	5	6	5	4	6	6					
12080 OXO	145-3/4 X 96	7	8	9	5	4	6	6					
15080 OXO	181-3/4 X 96	8	11	13	5	4	6	6					
7668 XIX	88-9/16 X 80	5	5	5	4	3	4	5					
9068 XIX	106-9/16 X 80	5	5	6	4	3	4	5					
12068 XIX	142-9/16 X 80	7	7	8	4	3	4	5					
15068 XIX	178-9/16 X 80	8	10	11	4	3	4	5					
7680 XIX	88-9/16 X 96	5	5	5	5	4	6	6					
9080 XIX	106-9/16 X 96	5	5	6	5	4	6	6					
12080 XIX	142-9/16 X 96	7	8	9	5	4	6	6					
15080 XIX	178-9/16 X 96	8	11	13	5	4	6	6					
10068 OXXO, XXXX	120-5/8 X 80	6	6	7	4	3	4	5					
12068 OXXO, XXXX	144-5/8 X 80	7	7	8	4	3	4	5					
16068 OXXO, XXXX	192-5/8 X 80	9	10	12	4	3	4	5					
10080 OXXO, XXXX	120-5/8 X 96	6	6	7	5	4	6	6					
12080 OXXO, XXXX	144-5/8 X 96	7	8	9	5	4	6	6					
16080 OXXO, XXXX	192-5/8 X 96	9	12	14	5	4	6	6					

- NOTES:**
- 1) DOOR MATERIAL: ALUMINUM ALLOY 6063.
 - 2) TAPCON TYPE INSTALLATION ANCHORS MUST BE OF SUFFICIENT LENGTH TO ACHIEVE MIN. EMBEDMENT OF 1-1/4" INTO MASONRY OR CONCRETE.
 - 3) ALTERNATE TAPCON INSTALLATION ANCHORS FRONT TO BACK IN ALL FRAME MEMBERS.
 - 4) USE LATEX CAULK FOR PERIMETER SEAL AROUND EXTERIOR OF DOOR.
 - 5) IF EXACT DOOR SIZE IS NOT LISTED IN ANCHOR CHART, USE ANCHOR QUANTITY LISTED WITH NEXT LARGER SIZE, FOR THE APPROPRIATE DESIGN PRESSURE REQ'D.
 - 6) FOR POCKET DOOR SIZES USE CLOSEST BYPASS DOOR SIZE & CONFIGURATION TO FINISHED OPENING.
 - 7) INSULATED GLASS SHOWN, SINGLE GLAZING ALSO APPROVED. TEMPERED GLASS THICKNESS MAY VARY PER REQUIREMENTS OF ASTM E1300 GLASS CHARTS.
 - 8) ALL FACTORY APPLIED HOLES NOT DESIGNED FOR TAPCON ANCHOR SHOULD BE FILLED WITH #8 SCREWS OF SUFFICIENT LENGTH TO PROVIDE MIN. 5/8" EMBEDMENT INTO WOOD BUCK.
 - 9) JAMB / SILL CORNERS ARE TO BE SEALED WITH A SMALL JOINT SEAM SEALER.
 - 10) SHIM AS REQ'D. AT EA. SET OF INSTALLATION ANCHORS. MAX. ALLOWABLE SHIM STACK TO BE 1/4".
 - 11) ALL INSTALLATION ANCHORS MUST BE MADE OF CORROSION RESISTANT MATERIALS.
 - 12) WHERE "X" REPRESENTS MOVING PANEL AND "O" REPRESENTS FIXED PANEL APPROVED CONFIGURATIONS ARE AS LISTED ON INSTALLATION CHART.
 - 13) NOT ALL CONFIGURATIONS LISTED ABOVE ARE SHOWN ON THIS DRAWING, HOWEVER INSTALLATION SECTIONS "A-A", "B-B" & HOOK STRIP DETAIL APPLY TO INSTALLATION OF ALL APPROVED CONFIGURATIONS.
 - 14) MAX ALLOWABLE SPACING BETWEEN TAPCON ANCHORS TO BE 24" O.C.
 - 15) SERIES 420 SLIDING GLASS DOOR IS SHOWN. THIS PRINT ALSO APPLIES TO 430 & 440 SERIES.
 - 16) WHERE DOOR IS INSTALLED IN WOOD FRAME STRUCTURE, USE #10 SCREWS OF SUFFICIENT LENGTH TO ACHIEVE 1-3/8" MIN. EMBEDMENT INTO SUBSTRATE. PLACE #10 SCREWS 6" FROM CORNERS & 24" O.C. MAX.



MI HOME PRODUCTS
GRATZ, PA.

TITLE: SERIES 420/430/440 SLIDING GLASS DOOR
INSTALLATION WITH TAPCONS

ENGINEER: MANUAL MARTINEZ	DRN: BB	DATE: 12/13/01
DISCIPLINE: CIVIL	SCALE: N.T.S.	DWG. NO.: MIHP0013
FL. REG. NO.: 47182	REV. LETTER:	SHEET: 1 OF 1