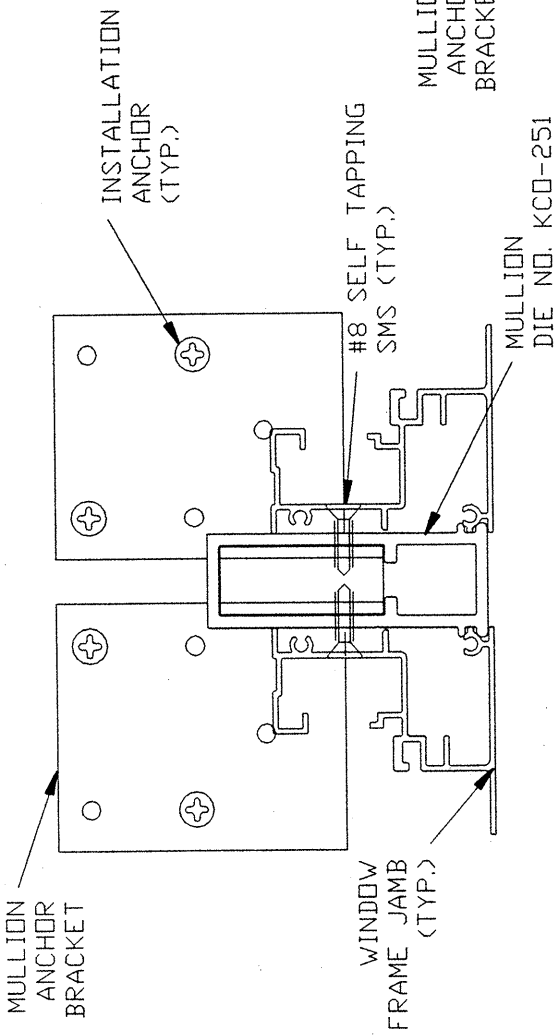
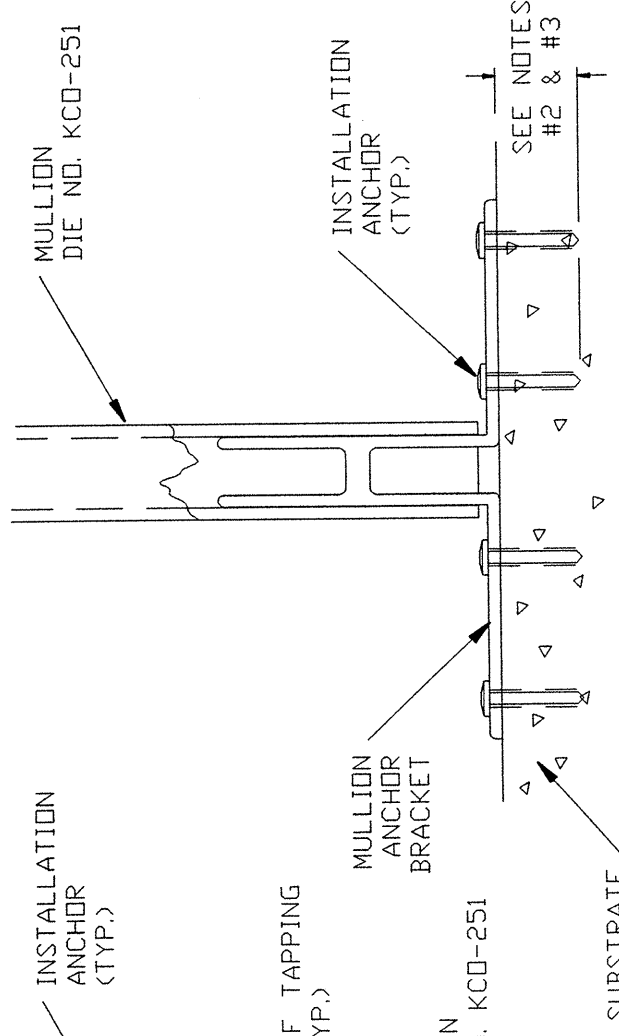


DWG NO: KJAX0065



SECTION A-A



DETAIL B-B

EXTERIOR ELEVATION

- NOTES:
- 1) MULLION INSTALLATION DETAILS APPLY TO ALUMINUM TUBE MULLION, DIE NO. KCO-251, WHEN USED TO MULL TW SERIES SINGLE HUNG WINDOWS SIDE BY SIDE.
 - 2) IN MASONRY CONSTRUCTION, ATTACH MULLION TO SUBSTRATE WITH FOUR (4) 3/16" DIA. CONCRETE SCREW ANCHORS OF SUFFICIENT LTH. TO ACHIEVE 1-1/4" MIN. EMBEDMENT INTO CONCRETE OR MASONRY.
 - 3) IN WOOD FRAME CONSTRUCTION, ATTACH MULLION TO SUBSTRATE USING FOUR (4) #10 SCREWS OF SUFFICIENT LTH. TO ACHIEVE 1-3/8" MIN. EMBEDMENT INTO WOOD FRAMING.
 - 4) MULLION AND ATTACHMENT ARE IN COMPLIANCE WITH THE REQUIREMENTS OF THE FLORIDA BUILDING CODE AT THE DESIGN PRESSURES SHOWN ON CHART ON BACK OF THIS SHT.

Handwritten initials and date:
 JS
 03-24-02

KINCO, LTD. JACKSONVILLE, FLORIDA			
TITLE: INSTALLATION DETAIL TW SERIES FIN VERTICAL MULLION			
AREA: -----	DRN: JS	APRVD: -----	DATE: 3/24/02
VT/FT: -----	SCALE: HALF	MATL: -----	DWG NO: KJAX0065

KINCO, LTD.**FIN****ALUMINUM MULLION, DIE #KCO-251****MARK 40 / 50 SERIES FIN SINGLE HUNG WINDOW
COMPARATIVE CHART IN DESIGN PRESSURE - PSF**

WDW. WTH. > WDW. HGT. V	23.875	27.875	31.875	35.875	39.875	43.875	47.875
27.500	395	388	388	388	388	388	388
35.500	261	244	236	233	233	233	233
43.500	195	178	167	160	156	155	155
51.500	156	140	130	122	117	113	111
59.500	129	116	106	99	93	89	86
71.500	103	92	83	76	71	68	65
83.500	66	59	53	48	45	42	40
95.500	44	38	34	31	29	27	25

CHART APPLIES ONLY TO MULLION KCO-251 WHEN USED TO MULL MARK 40 / 50 SERIES FIN SINGLE HUNG WINDOWS.

READ WINDOW WIDTH AND HEIGHT IN INCHES

DESIGN PRESSURE VALUES ON THIS CHART ARE IN PSF

WINDOW WIDTHS AND HEIGHTS LISTED ABOVE ARE SINGLE WINDOW SIZES

DESIGN PRESSURE VALUES APPLY TO MULLION WHERE TWO OR MORE WINDOWS ARE INSTALLED IN A SINGLE OPENING.

ATTACH MULLION TO SUBSTRATE AS FOLLOWS:

CONCRETE OR MASONRY SUBSTRATE - ATTACH EACH END OF MULLION TO STRUCTURE USING FOUR 3/16 IN. DIA. TAPCON TYPE ANCHORS OF SUFFICIENT LENGTH TO ACHIEVE 1-1/4 IN. MIN. EMBEDMENT.

WOOD FRAME SUBSTRATE - ATTACH EACH END OF MULLION TO STRUCTURE USING FOUR #10 SCREWS OF SUFFICIENT LENGTH TO ACHIEVE 1-3/8 IN. MIN. EMBEDMENT.

PREPARED BY:

PRODUCT TECHNOLOGY CORPORATION

250 INTERNATIONAL PARKWAY

SUITE 250

HEATHROW, FLORIDA 32746

PHONE 407 805-0365 / FAX 407 805-0366

CA010451

29-Mar-2002

01-0920