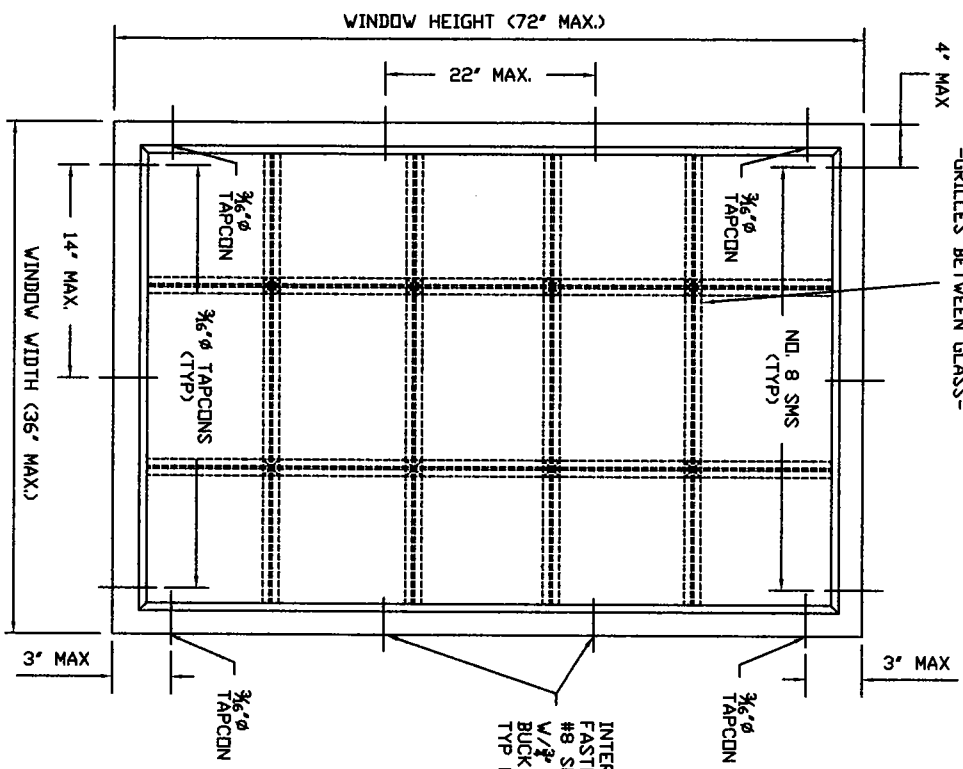
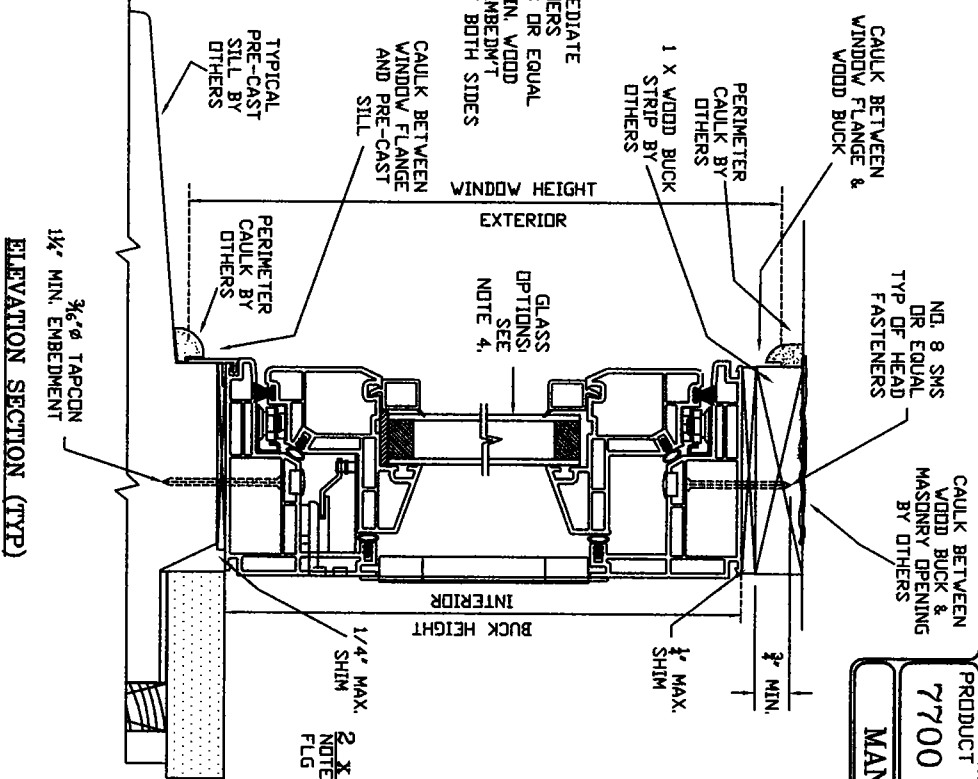


COLONIAL MOUNTIN OPTIONS:  
-SURFACE APPLIED-  
-GRILLES BETWEEN GLASS-

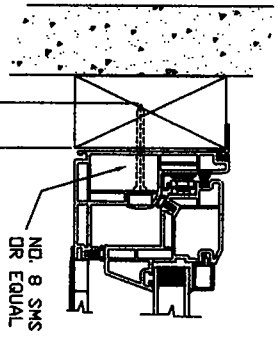
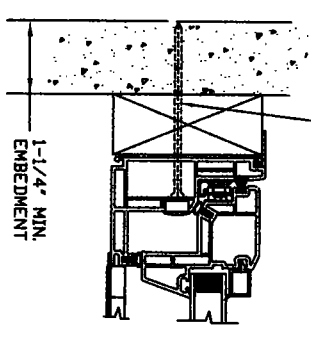


TYPICAL ELEVATION W/FASTERER LOCATIONS

- WINDOW INSTALLATION NOTES:
1. DESIGN STRUCTURAL LOAD/RATING: 50 PSF/C-R50
  2. CERTIFIED TEST REPORT: 07-30125.01
  3. FRAME: PVC/FLANGE TYP
  4. GLASS: SINGLE PANE & INSULATED
  5. FASTENERS: 304 SS OR COATED FOR CORROSION RESISTANCE.
  6. GLAZING: EXTERIOR GLAZED WITH ADHESIVE SILICONE BACK-BEDDING AND A SNAP IN RIGID PVC GLAZING BEAD.
  7. GLAZING BITE = .500" TYPICAL.
  8. WINDOW SEALANTS: COMPLY W/AAMA 800-92 OR EQUIVALENT.
  9. WINDOW WOOD BUCKS: STRUCTURAL INTEGRITY AND ATTACHMENT TO THE WINDOW OPENING IS THE SOLE RESPONSIBILITY OF THE OWNER, ENGINEER, AND/OR THE CONTRACTOR.
  10. STATE & LOCAL BLDG. CODES: THE CONFIRMANCE IS SOLE RESPONSIBILITY OF THE ARCHITECT, BLDG. OWNER OR CONTRACTOR.



PRODUCT SERIES:  
**7700 CASEMENT WINDOW**  
MASONRY INSTALLATION



*Daryl R. [Signature]*  
3-24-3

SEASONSIELD INC.  
DRAWING NUMBER

SHEET NUMBER

Engineering Approvals:

Do Not Scale: 03/02/02

SEASONSIELD INCORPORATED

77M

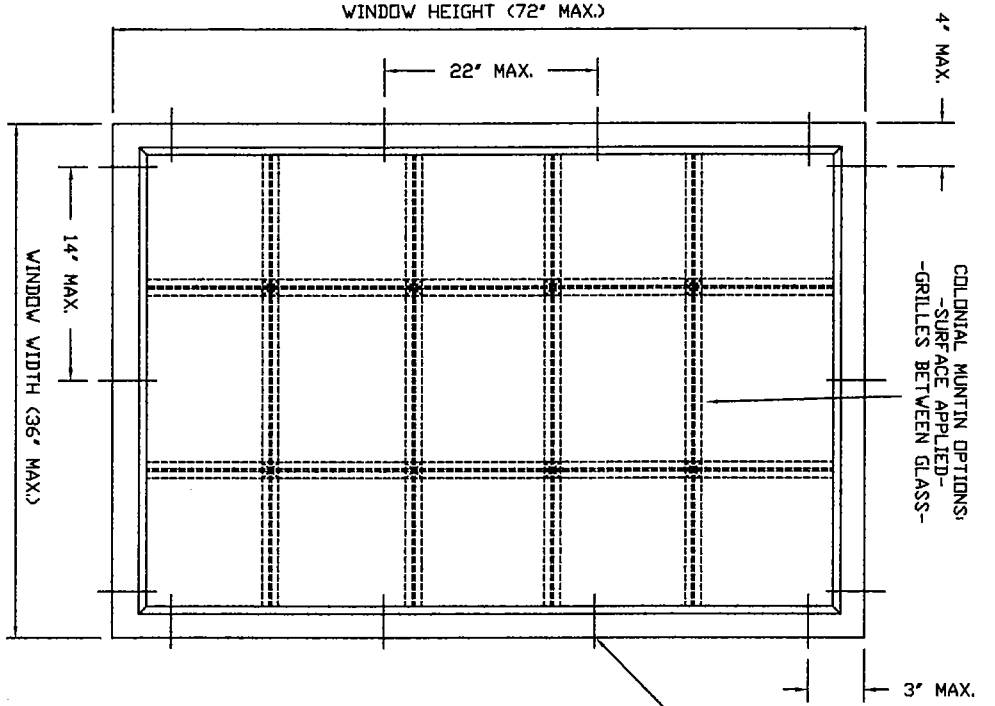
1 of 1

Engineering Approvals:  
Douglas Preston, PE  
FL License No. 53291  
11531 Veltman Dr.  
Riverview, FL 33569 (813)689,9418

PE Certification is for structural loads only.

Scale: N.T.S.  
Drawn by: N.G.H.

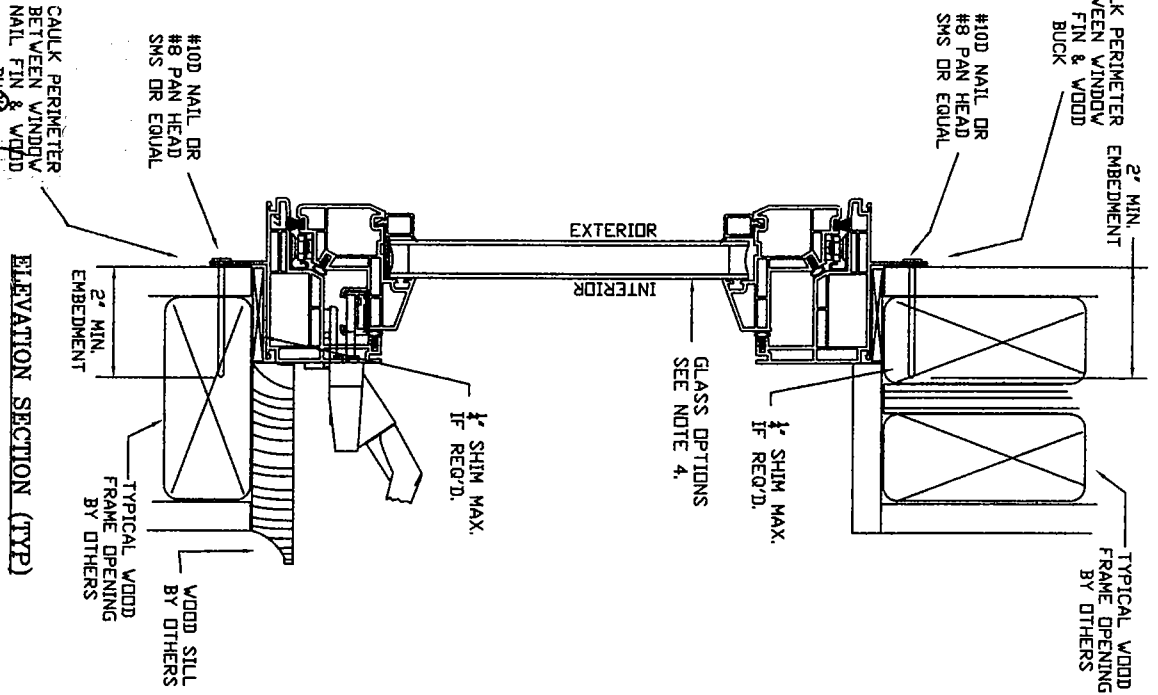
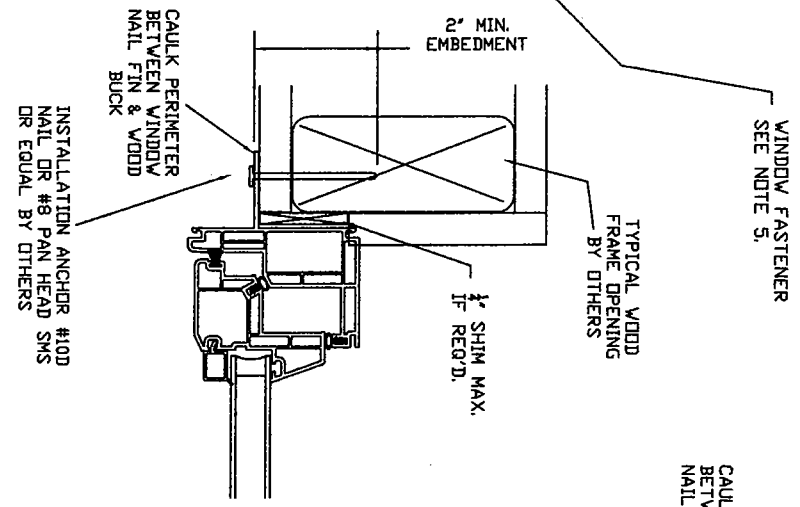
COLUMNIAL MUNTIN OPTIONS -  
SURFACE APPLIED -  
GRILLES BETWEEN GLASS -



TYPICAL ELEVATION W/FASTER LOCATIONS

- WINDOW INSTALLATION NOTES:
1. DESIGN STRUCTURAL LOAD/RATING: 50 PSF/C-R50
  2. CERTIFIED TEST REPORT: 07-30125.01
  3. FRAME: PVC/FIN TYP
  4. GLASS: SINGLE PANE & INSULATED
  5. FASTENERS: 304 SS OR COATED FOR CORROSION RESISTANCE.
  6. GLAZING: EXTERIOR GLAZED WITH ADHESIVE SILICONE BACK-BEDDING AND A SNAP IN RIGID PVC GLAZING BEAD.
  7. GLAZING BEAD = .500" TYPICAL
  8. WINDOW SEALANTS: COMPLY W/AMA 800-92 OR EQUIVALENT.

JAMB SECTION (TYP)



ELEVATION SECTION (TYP)

PRODUCT SERIES:  
**7700 CASEMENT WINDOW**  
WOOD FRAME INSTALLATION

SEASONSHIELD INC.  
DRAWING NUMBER

SHEET NUMBER

Engineering Approvals:

77W

1 OF 1

Douglas Preston, PE  
FL License No. 53291  
11531 Welton Dr.  
Riverview, FL 33569 (813)689-9418

PE certification is for structural loads only.

\*\*\*\*\* NOTE \*\*\*\*\*

*Draftsman 3-24-3*

Date: 03/02/02

Scale: N.T.S.

Drawn By: NICH.

