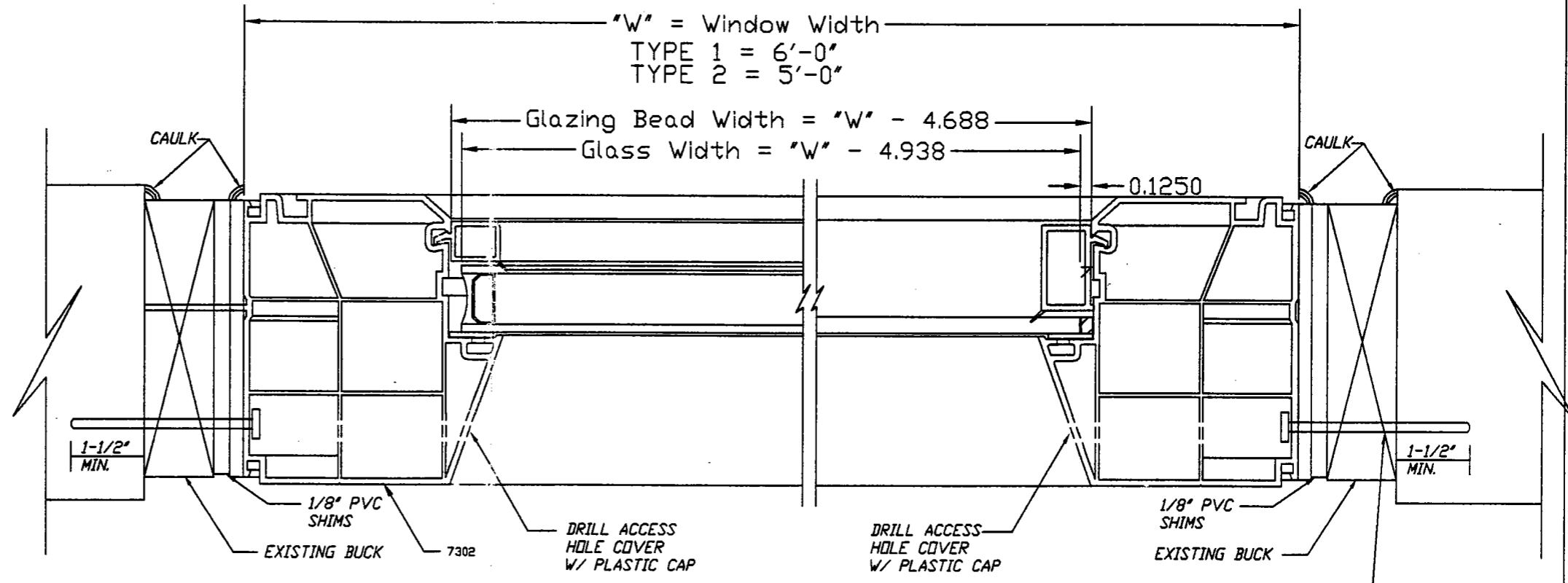
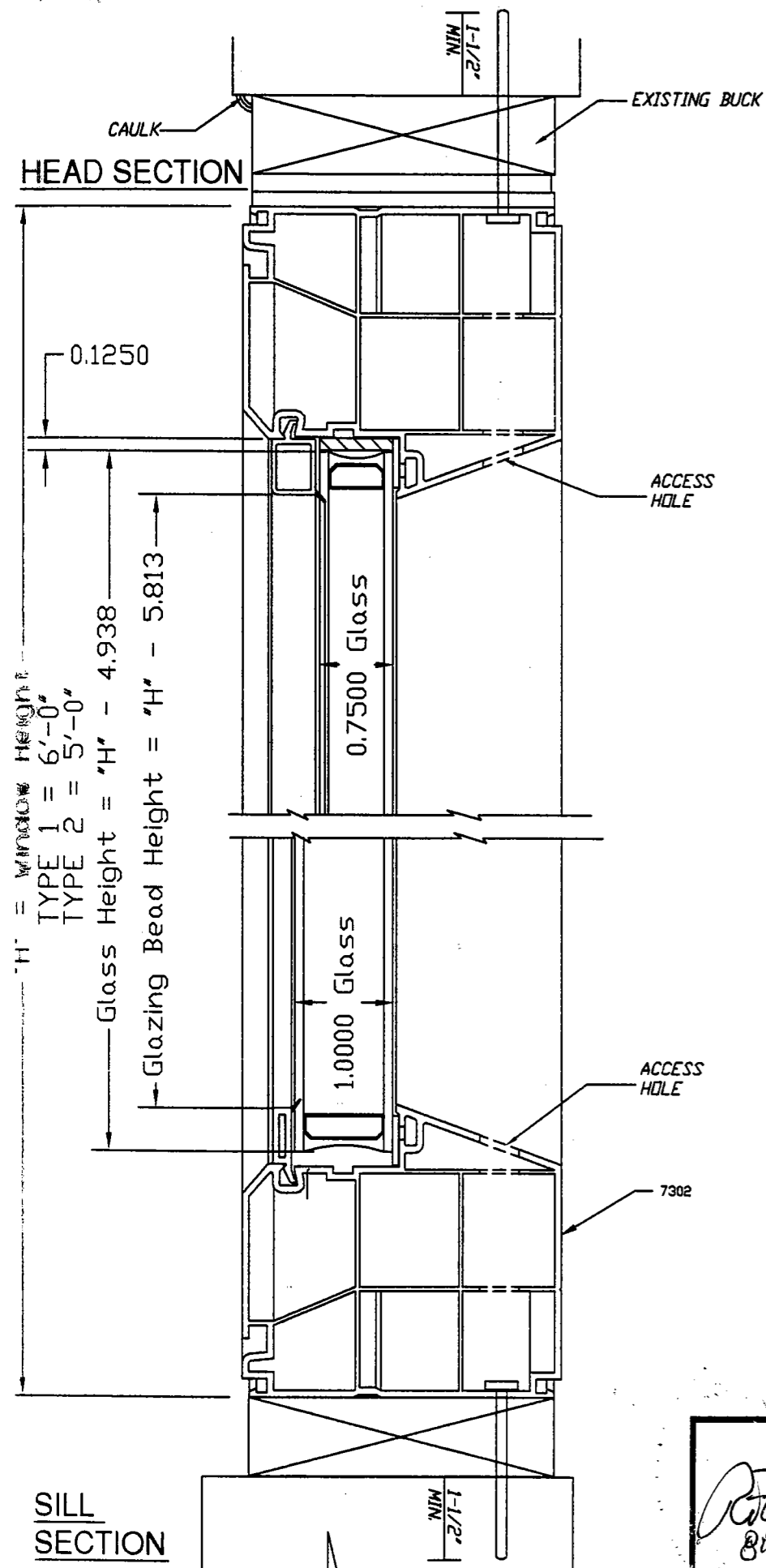
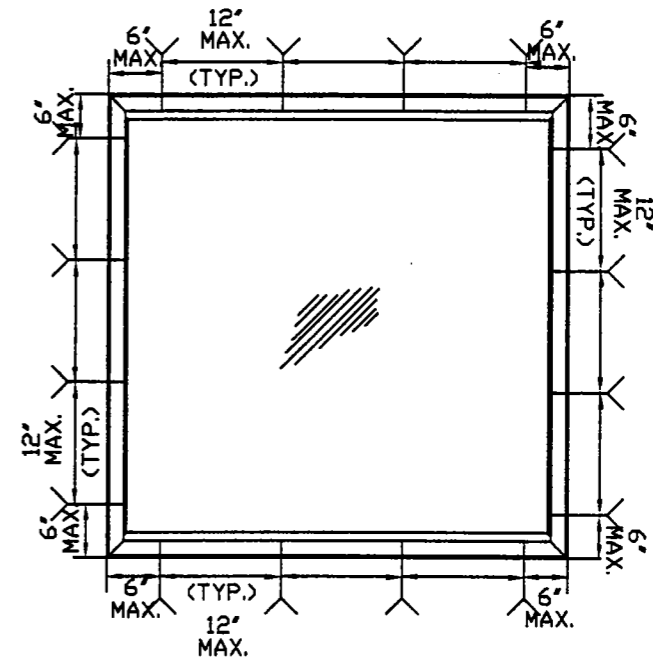


NOTES:

1. SHIM AS REQUIRED WITH PVC SHIMS
2. ANCHOR MUST BE OF SUFFICIENT LENGTH TO PROVIDE 1-1/2" MIN. EMBEDMENT INTO MASONRY OR CONCRETE, OR 1-1/2" PENETRATION INTO EXISTING STRUCTURAL FRAME.
3. CAULK BETWEEN WINDOW FRAME AND BUCK
4. CAULK FULL PERIMETER OF WINDOW
5. GLASS THICKNESS MUST COMPLY WITH DESIGN WIND PRESSURES AND ASTM E1300
6. ALL FACTORY APPLIED HOLES NOT DESIGNATED FOR TAPCON SHOULD BE FILLED WITH #8 SCREWS OF SUFFICIENT LENGTH TO PROVIDE 5/8" EMBEDMENT INTO BUCK

CENTRAL FLORIDA B.O.A.F.
 MANUFACTURER NAME:
Newtown Manufacturing
 MASTER FILE # *7302*



JAMB SECTION

NOTE:
 DESIGN WIND PRESSURES:
 TYPE 1 = +/- 60 PSF
 TYPE 2 = +/- 105 PSF
 REF: AAMA/NWDA TEST REPORT FOR 2300/2500 PW

1/4" MASONRY SCREWS W/MIN. 1/2" EMBEDMENT (TAPCONS OR SIMPSONS) INTO EXISTING CMU 6" FROM CORNER & 12" O.C. (@ HEADSILL & SIDES) OR 1/4" LAG SCREWS W/MIN. 1-1/2" EMBEDMENT INTO EXISTING FRAME (NOT BUCKS) 6" FROM CORNER & 12" O.C. SIDES & HEAD

CLASS A CONTRACTING, INC.

R. F. Oleck
 8/7/05
 R. F. OLECK
 FLPE# 52514

THIS STRUCTURE HAS BEEN DESIGNED IN ACCORDANCE WITH, AND MEETS THE REQUIREMENTS OF SECTION 1606 OF THE FLORIDA BUILDING CODE, 2001 EDITION, AND ASCE 7-98 (WHERE APPLICABLE) FOR 120 MILES PER HOUR OR LESS WIND SPEED. CERTIFICATION BY ENGINEER APPLIES TO WIND LOAD. BASIC WIND SPEED = 120 MPH. WIND IMPORTANCE FACTOR = 1.0. WIND EXPOSURE CATEGORY = B. INTERNAL PRESSURE COEFFICIENT = +/- 0.18. AVERAGE DESIGN WIND PRESSURE = SEE NOTE.

ESG ENGINEERING SERVICES GROUP, INC.
 1299 W. FAIRBANKS AVE. STE. B.
 WINTER PARK, FL. 32789 - PH (407) 740-7111
 FAX (407) 740-7656 - E-mail: esg500k@aol.com

DESIGN BY: ---	Dayton deceuninck	NAME: 7302 Series H. S. Assembly
DATE: YR/MTH/DAY		
DRAWN BY: RLW.	DWG. NO: 8100-A-01	SHEET: 1 OF 1
DATE: 02/05/20		
AUTH:	SCALE: 1 : 1 (Lbs/Ft)	
DATE:		
FILENAME:		
rpahsl		

COPYRIGHT 2002
 321 NORTH GARVER ROAD
 MONROE, OHIO 45060