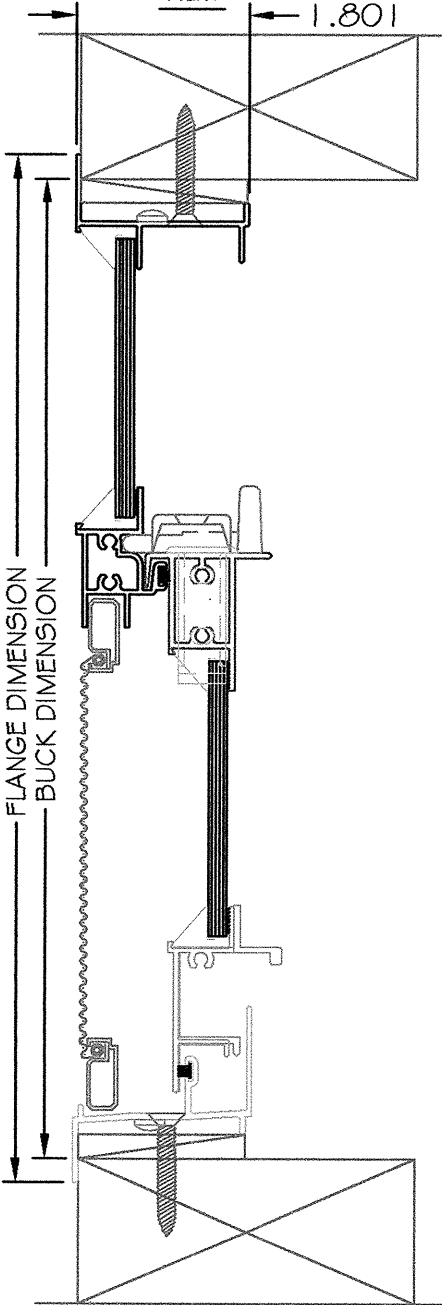


SERIES PA-551 SINGLE HUNG WINDOW

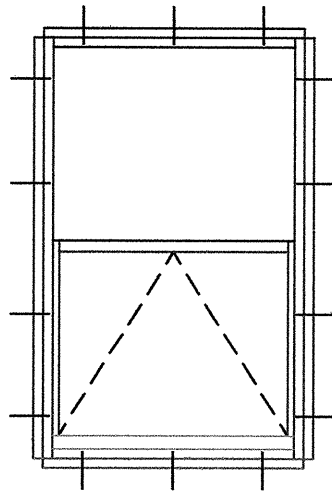
GENERAL NOTES:

1. PA-551 Single Hung Window
 - a. Product has been designed to meet the requirements of the Florida Building Code.
 - b. Product has been tested to meet ANSI/AAMA 101, as required by Section 2411.3.2 of the Florida Building Code.
 - c. Windows installed in windborne debris regions must have a supplementary hurricane protective system. See Section 1606.1.4 and Figure 1606 for specific requirements.
 - d. Glazing thickness and tempering to be defined by the requirements of the design pressure in accordance with ASTM E-1300 and section 2405.3, unless specified otherwise. Note: specification of glass thickness or tempering less than the requirements of ASTM E-1300 and Section 2405.3 is not permitted.
 - e. The U-factor for this product, 1.30, is based on the default Table 4B-1, chapter 13, of the Florida Building Code.
 - f. All aluminum extrusions shall be 6063-T5 or 6061-T6, unless noted otherwise.
 - g. See Design Pressure Charts for performance based on size, glass type, and glass thickness.
 - h. Under section 1005.4.4 the requirements for egress are: 24" minimum net clear opening height, 20" net clear opening width 5.7 square feet area except for ground floor area which permits 5.0 square feet. For this product, the minimum size for ground floor requirements is 37" x 63". For installations greater than ground floor, the minimum size is 37" x 63".
 - i. Fastener spacing shall start 6" maximum from corners and 16 1/2" on centers maximum. Minimum Substrate embedment for all fasteners shall be 1 1/4" minimum, unless otherwise specified.

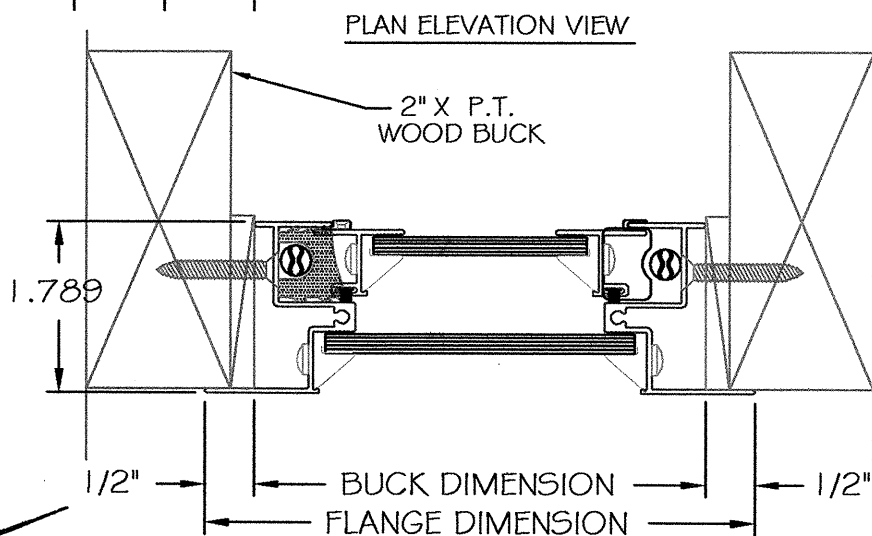
SIDE
ELEVATION
VIEW



FRONT ELEVATION VIEW
(VIEWED FROM OUTSIDE)



PLAN ELEVATION VIEW



ROBT. E. FISHER
WM. M. MEYERS, P.E.
Consulting Engineers
9301 N.E. 35th Ave. C-300
Miami Shores, FL 33138
(305) 758-3117 557-4005 Fax 382-6282

William M. Meyers
FLA. 18755

STRUCTURAL

Date: 05/13/02