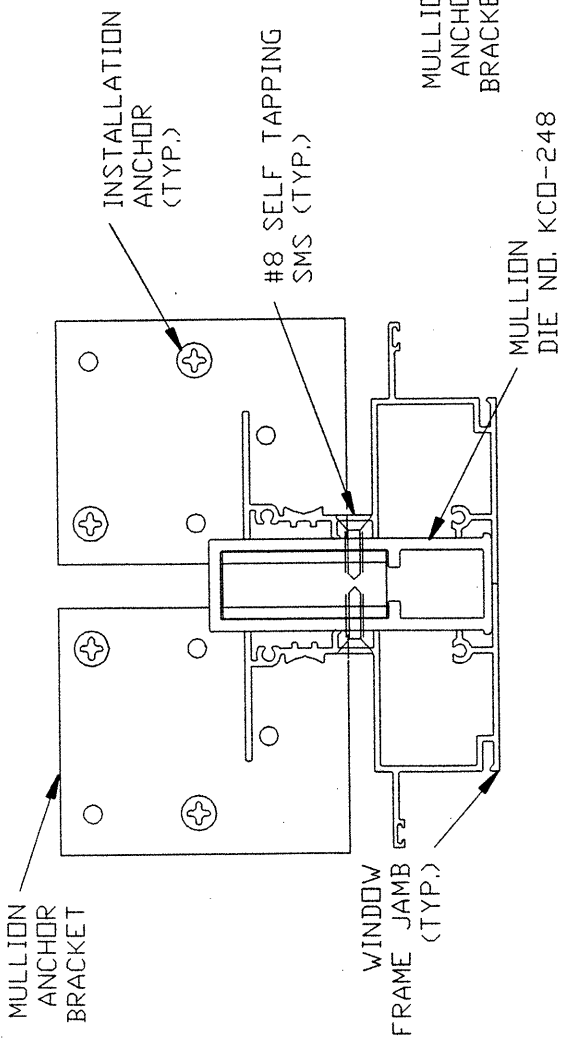
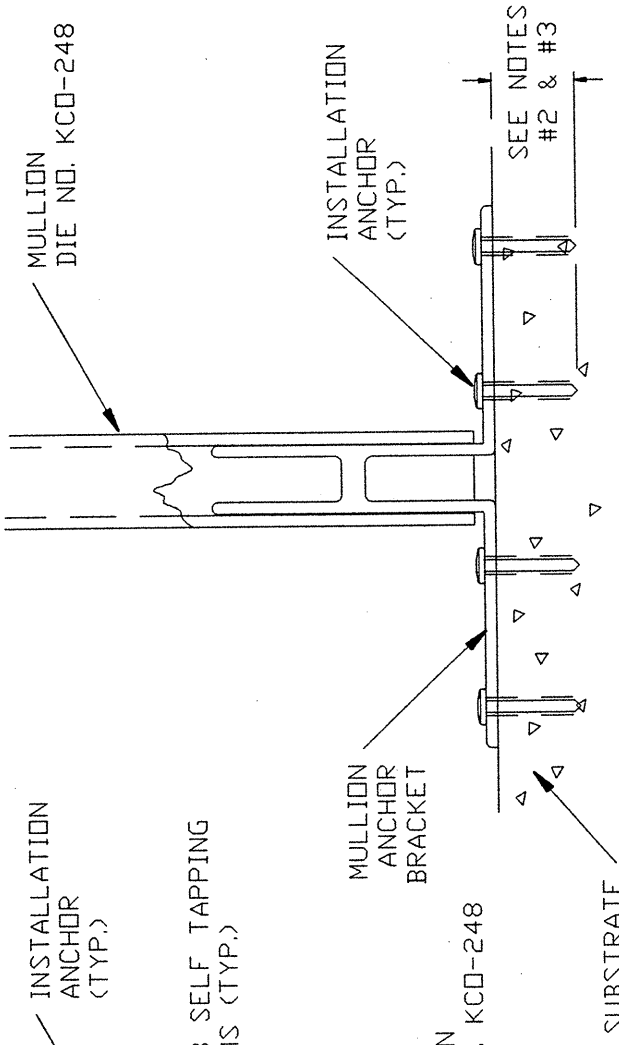


DWG NO: KJAX0060



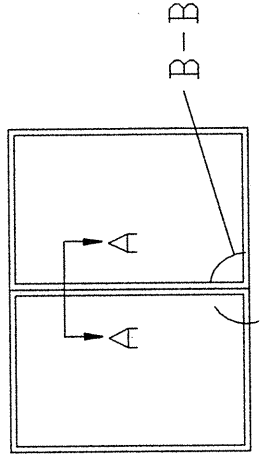
SECTION A-A



DETAIL B-B

- NOTES:
- 1) MULLION INSTALLATION DETAILS APPLY TO ALUMINUM TUBE MULLION, DIE NO. KCD-248, WHEN USED TO MULL MP SERIES SINGLE HUNG WINDOWS SIDE BY SIDE.
 - 2) IN MASONRY CONSTRUCTION, ATTACH MULLION TO SUBSTRATE WITH FOUR (4) 3/16" DIA. CONCRETE SCREW ANCHORS OF SUFFICIENT LTH. TO ACHIEVE 1-1/4" MIN. EMBEDMENT INTO CONCRETE OR MASONRY.
 - 3) IN WOOD FRAME CONSTRUCTION, ATTACH MULLION TO SUBSTRATE USING FOUR (4) #10 SCREWS OF SUFFICIENT LTH. TO ACHIEVE 1-3/8" MIN. EMBEDMENT INTO WOOD FRAMING.
 - 4) MULLION AND ATTACHMENT ARE IN COMPLIANCE WITH THE REQUIREMENTS OF THE FLORIDA BUILDING CODE AT THE DESIGN PRESSURES SHOWN ON CHART ON BACK OF THIS SHT.

EXTERIOR ELEVATION



KINCO, LTD.
JACKSONVILLE, FLORIDA

TITLE: INSTALLATION DETAILS
FLANGE MP SERIES VERTICAL MULLION

AREA: -----	DRN: JS	APRVD: -----	DATE: 3/24/02
WT/FT: -----	SCALE: HALF	MATL: -----	DWG NO: KJAX0060

Handwritten: 444 13-30-02

KINCO, LTD.

ALUMINUM MULLION, DIE #KCO-248

MP SERIES FLANGE SINGLE HUNG WINDOW

COMPARATIVE CHART IN DESIGN PRESSURE - PSF

WDW. WTH. > WDW. HGT. V	19.125	26.500	37.000	53.125
26.000	467	435	435	435
38.375	267	221	200	199
50.625	187	148	124	115
63.000	144	111	89	76
72.000	123	94	74	61
78.000	112	86	67	54

CHART APPLIES ONLY TO MULLION KCO-248 WHEN USED TO MULL MP SERIES FLANGE SINGLE HUNG WINDOWS.

READ WINDOW WIDTH AND HEIGHT IN INCHES

DESIGN PRESSURE VALUES ON THIS CHART ARE IN PSF

WINDOW WIDTHS AND HEIGHTS LISTED ABOVE ARE SINGLE WINDOW SIZES

DESIGN PRESSURE VALUES APPLY TO MULLION WHERE TWO OR MORE WINDOWS ARE INSTALLED IN A SINGLE OPENING.

ATTACH MULLION TO SUBSTRATE AS FOLLOWS:

CONCRETE OR MASONRY SUBSTRATE - ATTACH EACH END OF MULLION TO STRUCTURE USING FOUR 3/16 IN. DIA. TAPCON TYPE ANCHORS OF SUFFICIENT LENGTH TO ACHIEVE 1-1/4 IN. MIN. EMBEDMENT.

WOOD FRAME SUBSTRATE - ATTACH EACH END OF MULLION TO STRUCTURE USING FOUR #10 SCREWS OF SUFFICIENT LENGTH TO ACHIEVE 1-3/8 IN. MIN. EMBEDMENT.

PREPARED BY:

PRODUCT TECHNOLOGY CORPORATION

250 INTERNATIONAL PARKWAY

SUITE 250

HEATHROW, FLORIDA 32746

PHONE 407 805-0365 / FAX 407 805-0366

CA010452

29-Mar-2002

01-0920