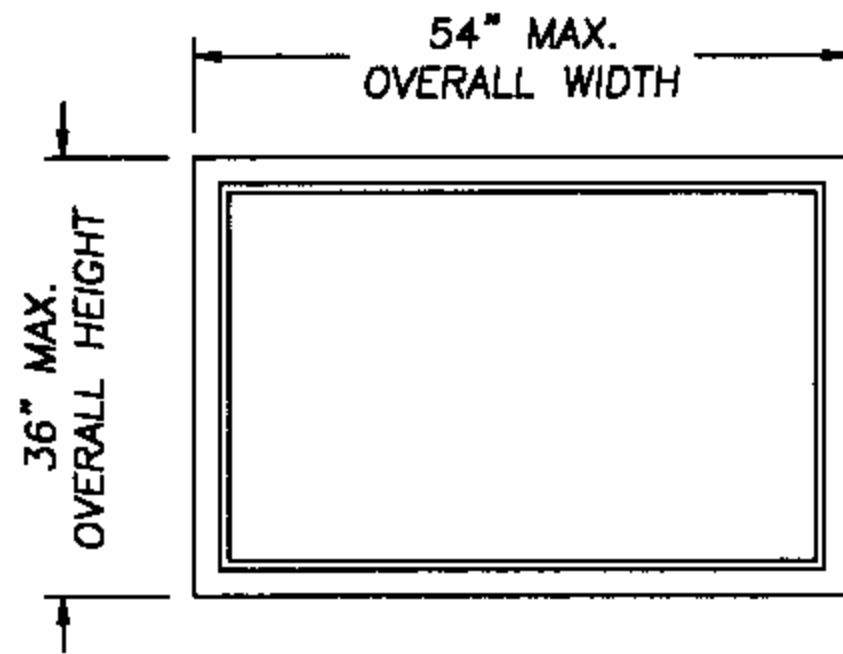


GREAT LAKES WINDOW

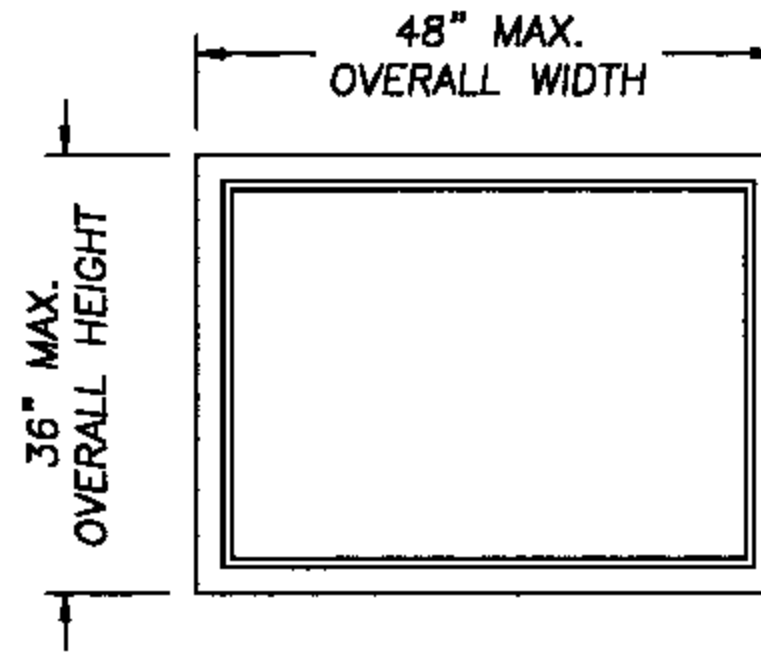
UNIFRAME SERIES
EXTRUDED VINYL AWNING WINDOWS



X

DESIGN PRESSURE RATING
POS. 55.0 NEG. 55.0

GLASS TABLE
7/8" INSULATED GLASS
1/8" ANN. - AIR - 1/8" ANN.

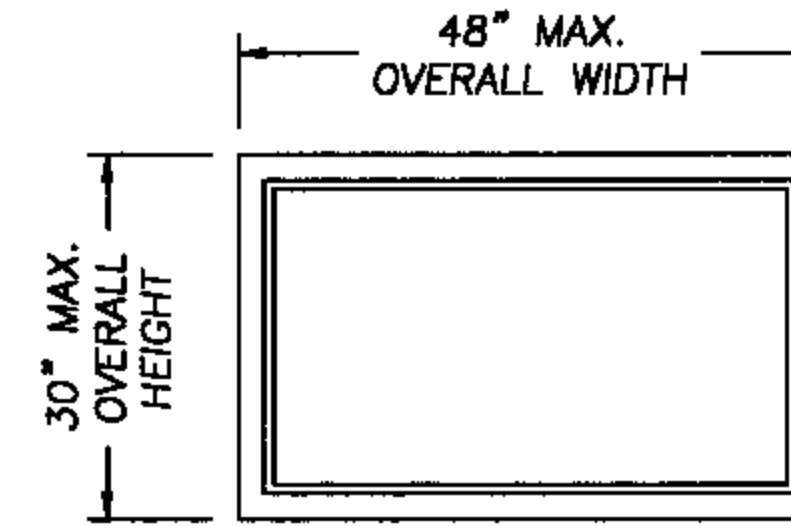


X

DESIGN PRESSURE RATING
POS. 60.0 NEG. 60.0

(ACHIEVED BY COMPARISON ANALYSIS)

GLASS TABLE
7/8" INSULATED GLASS
1/8" ANN. - AIR - 1/8" ANN.



X

DESIGN PRESSURE RATING
POS. 70.0 NEG. 70.0

(ACHIEVED BY COMPARISON ANALYSIS)

GLASS TABLE
7/8" INSULATED GLASS
1/8" ANN. - AIR - 1/8" ANN.

GENERAL NOTES

1. THIS PRODUCT IS DESIGNED TO COMPLY WITH THE FLORIDA BUILDING CODE.
2. PRODUCT ANCHORS SHALL BE AS LISTED AND SPACED AS SHOWN ON DETAILS.
3. WHEN THIS PRODUCT IS USED IN AN AREA REQUIRING WINDBORNE DEBRIS PROTECTION, FLORIDA BUILDING CODE APPROVED IMPACT RESISTANT SHUTTERS ARE REQUIRED. IMPACT RESISTANT SHUTTERS MUST COMPLY WITH SECTION 1626 OF THE FLORIDA BUILDING CODE.
4. MASONRY ANCHORING FOR 1x BUCK SEE SHEET 2 OF 3.
5. MASONRY ANCHORING FOR 2x BUCK SEE SHEET 3 OF 3.

PRODUCT DESCRIPTION

1. VINYL AWNING WINDOW WITH MITERED AND WELDED CORNERS.
2. THE HEAD AND SIDE JAMBS ARE EXTRUDED VINYL WITH AN EXTERIOR WALL THICKNESS OF 0.070" +/- 0.008".
3. THE SASH RAILS AND STILES ARE REINFORCED WITH AN EXTRUDED ALUMINUM REINFORCEMENT.

Lyndon F. Schmidt

JULY 15, 2002

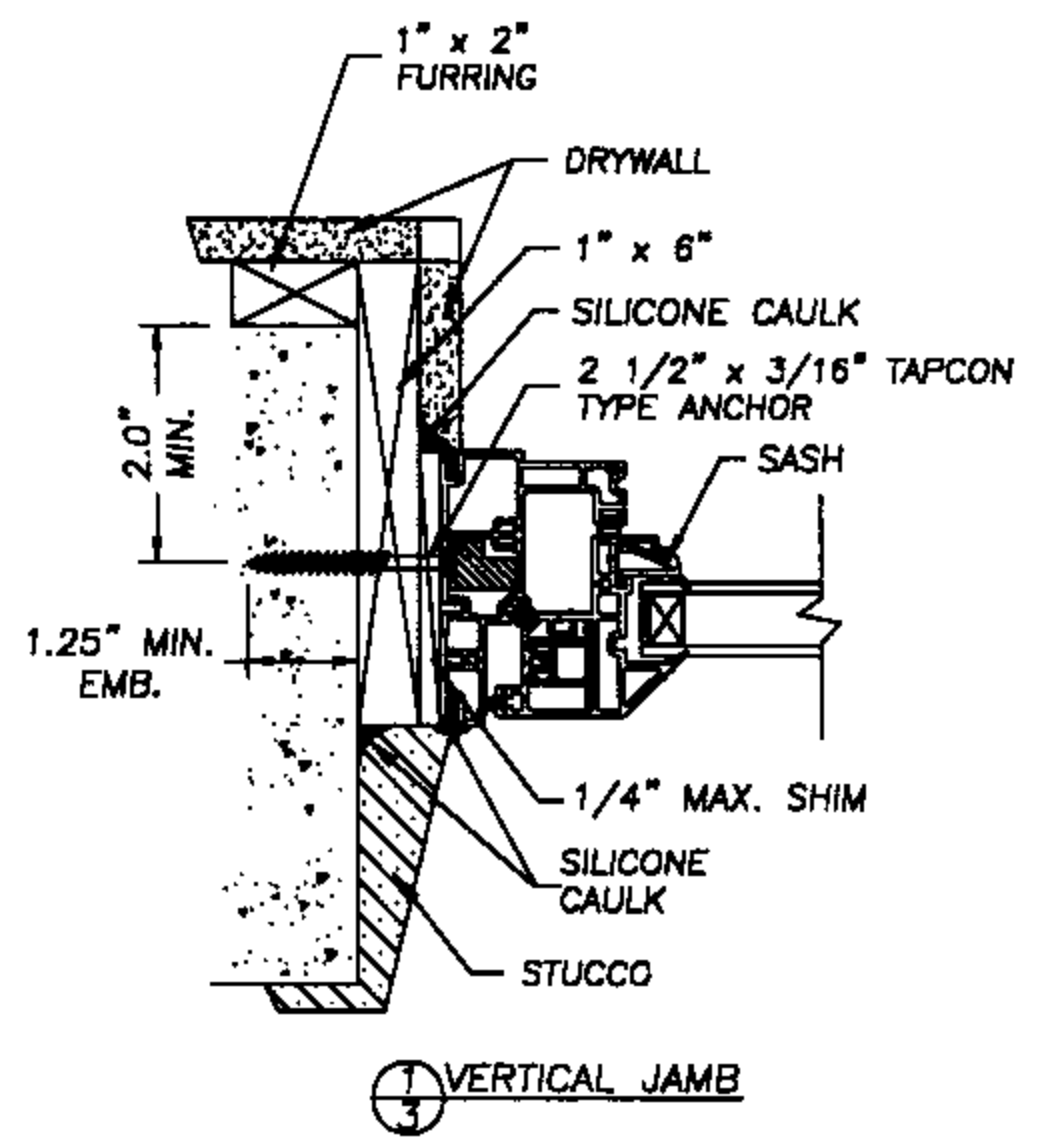
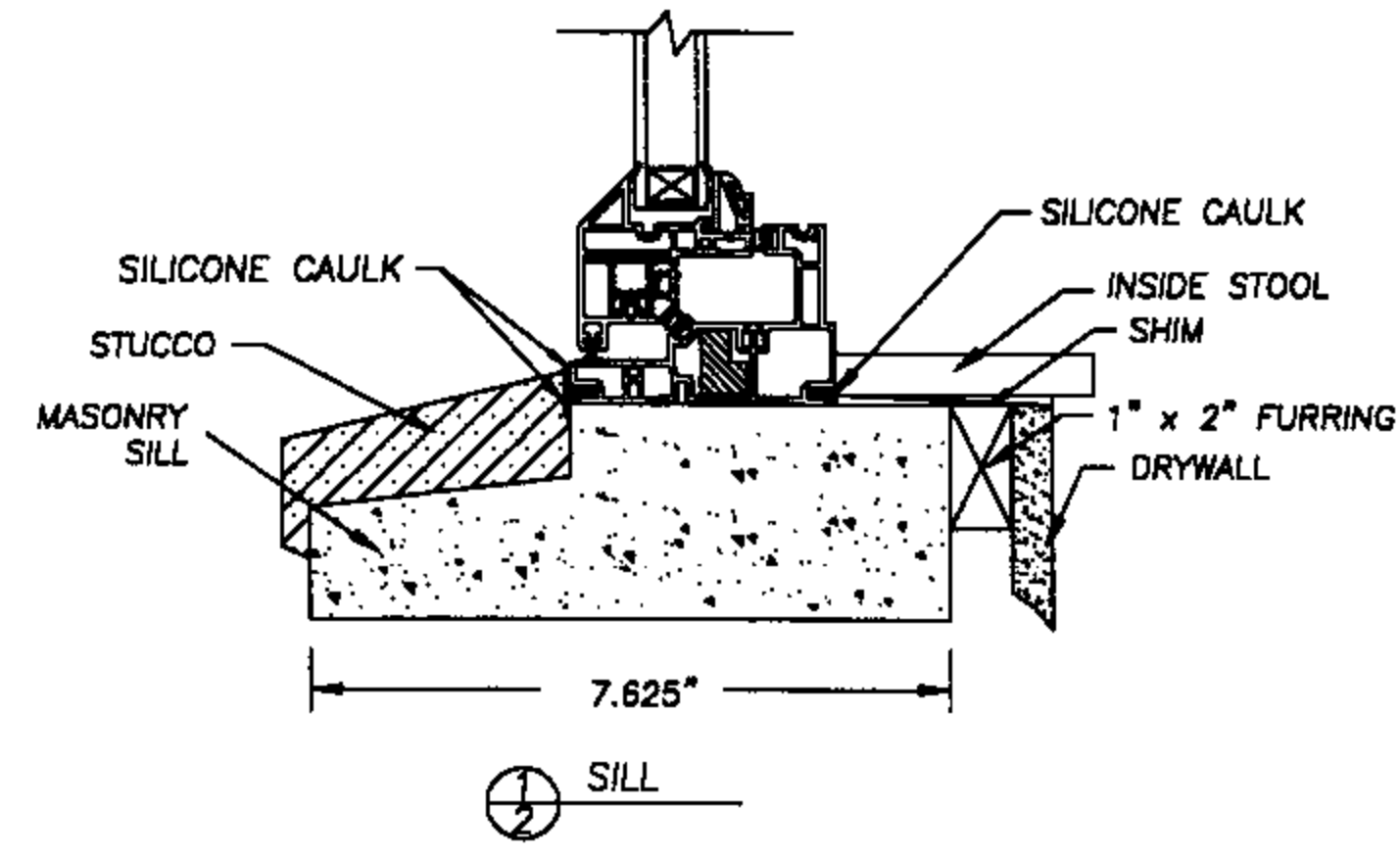
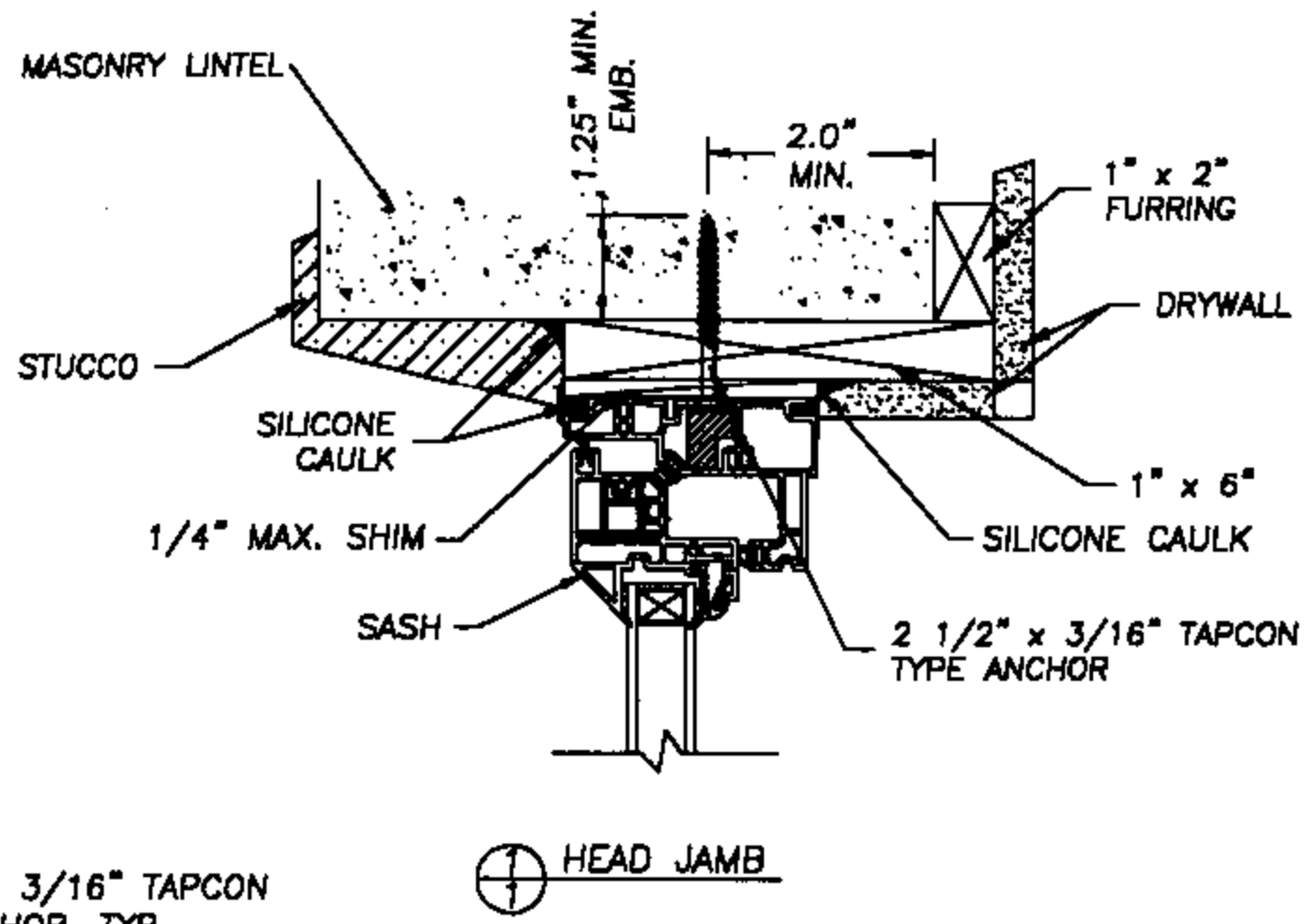
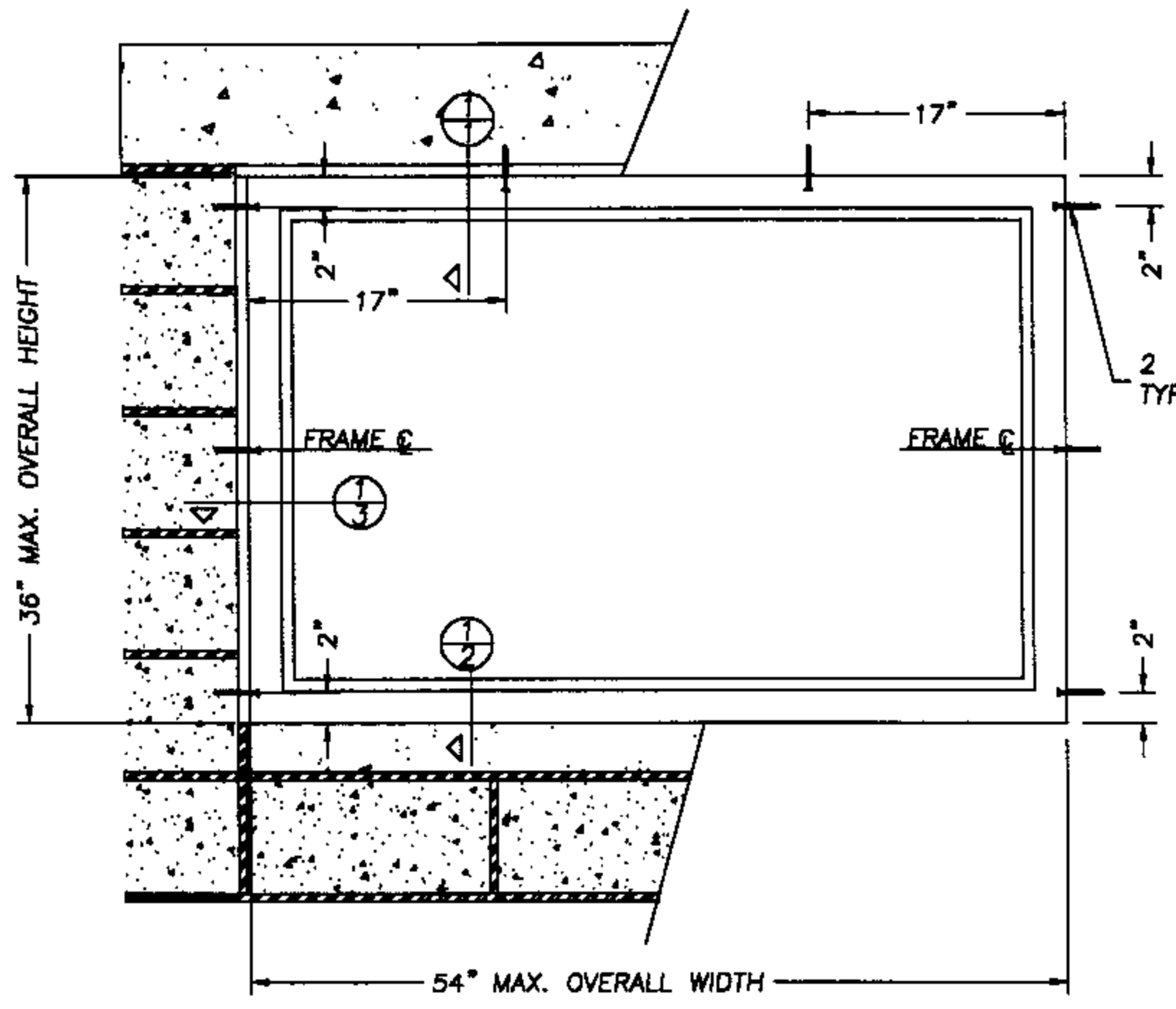
Lyndon F. Schmidt
Florida P. E. No. 43409
19506 French Lace Drive Lutz, FL 33558

Great Lakes Window
3049 Tracy Road
PO Box 1896
Toledo, Ohio 43603-1896
PH. 419.662.3505

PRODUCT:	GREAT LAKES EXTRUDED VINYL AWNING WINDOWS		
PART OR ASSEMBLY:	GENERAL NOTES & TYPICAL ELEVATIONS		
NO.	DATE	REVISIONS	BY

RW BUILDING
CONSULTANTS, INC.
813.659.9197

DATE:	6/19/02
SCALE:	N.T.S.
DWG. BY:	WLN
CHK. BY:	RW
DRAWING NO.:	GL-106-OC
SHEET	1 of 3



JULY 15, 2002

Lyndon F. Schmidt
 Florida P. E. No. 43409
 19506 French Lace Drive
 Lutz, FL 33558

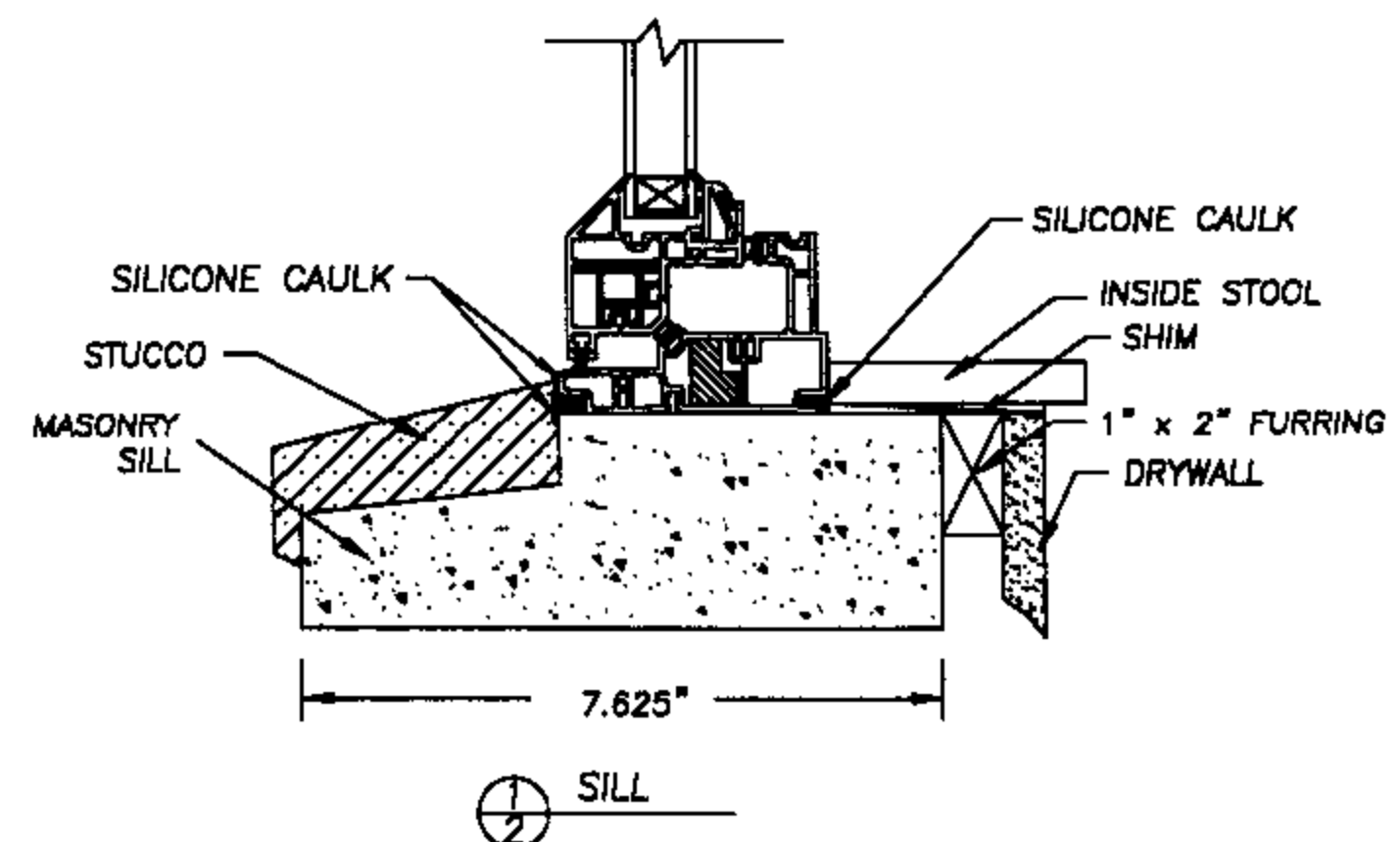
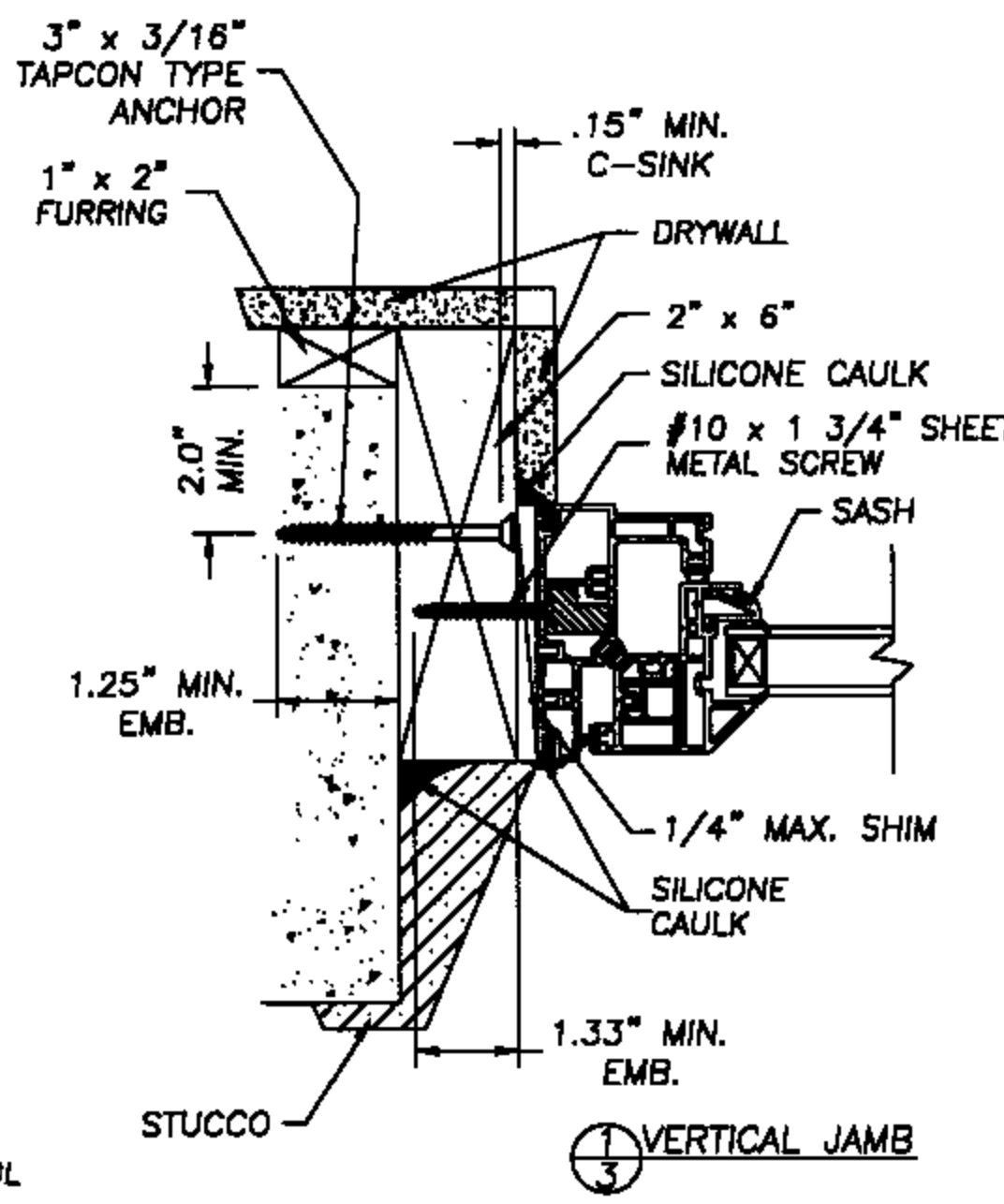
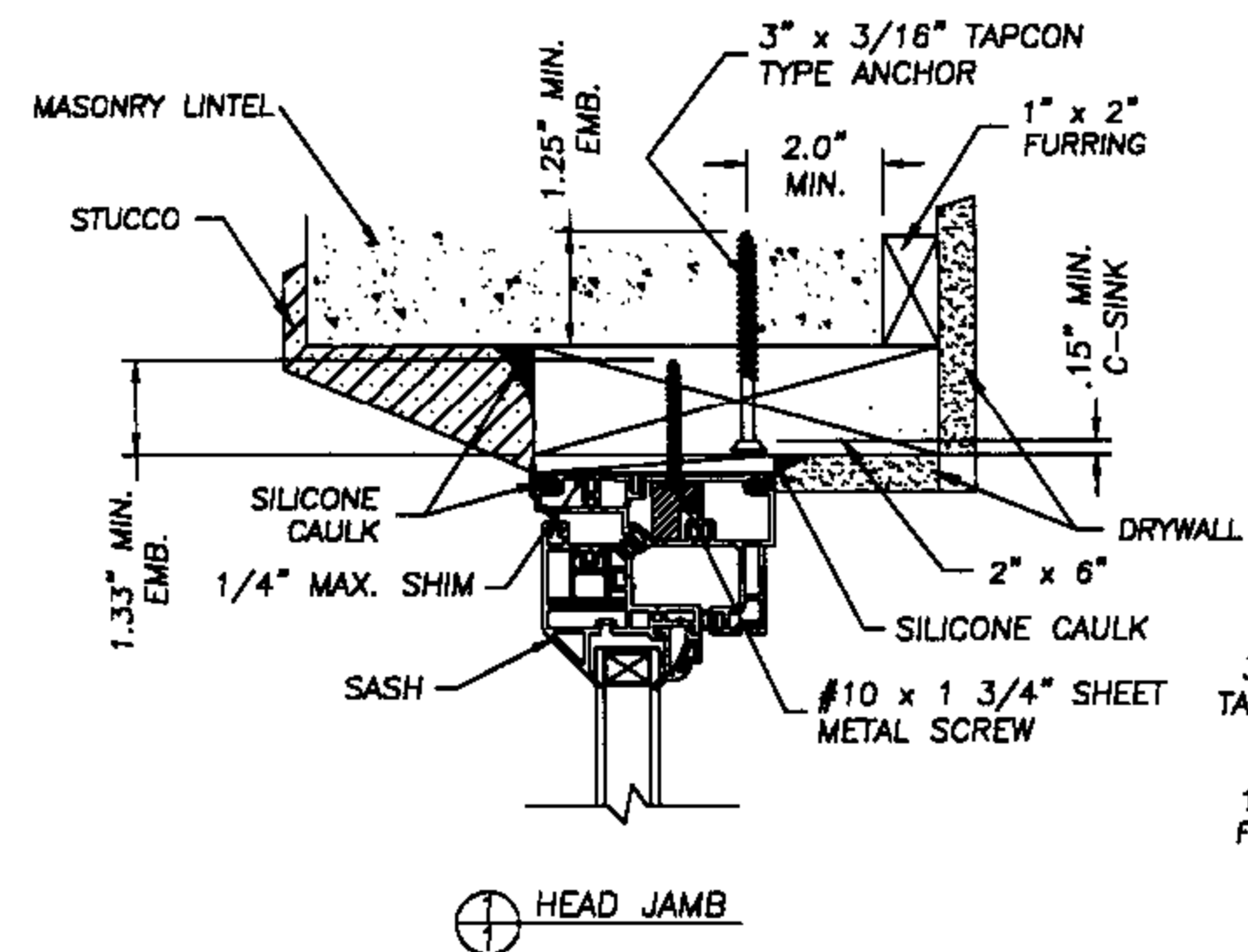
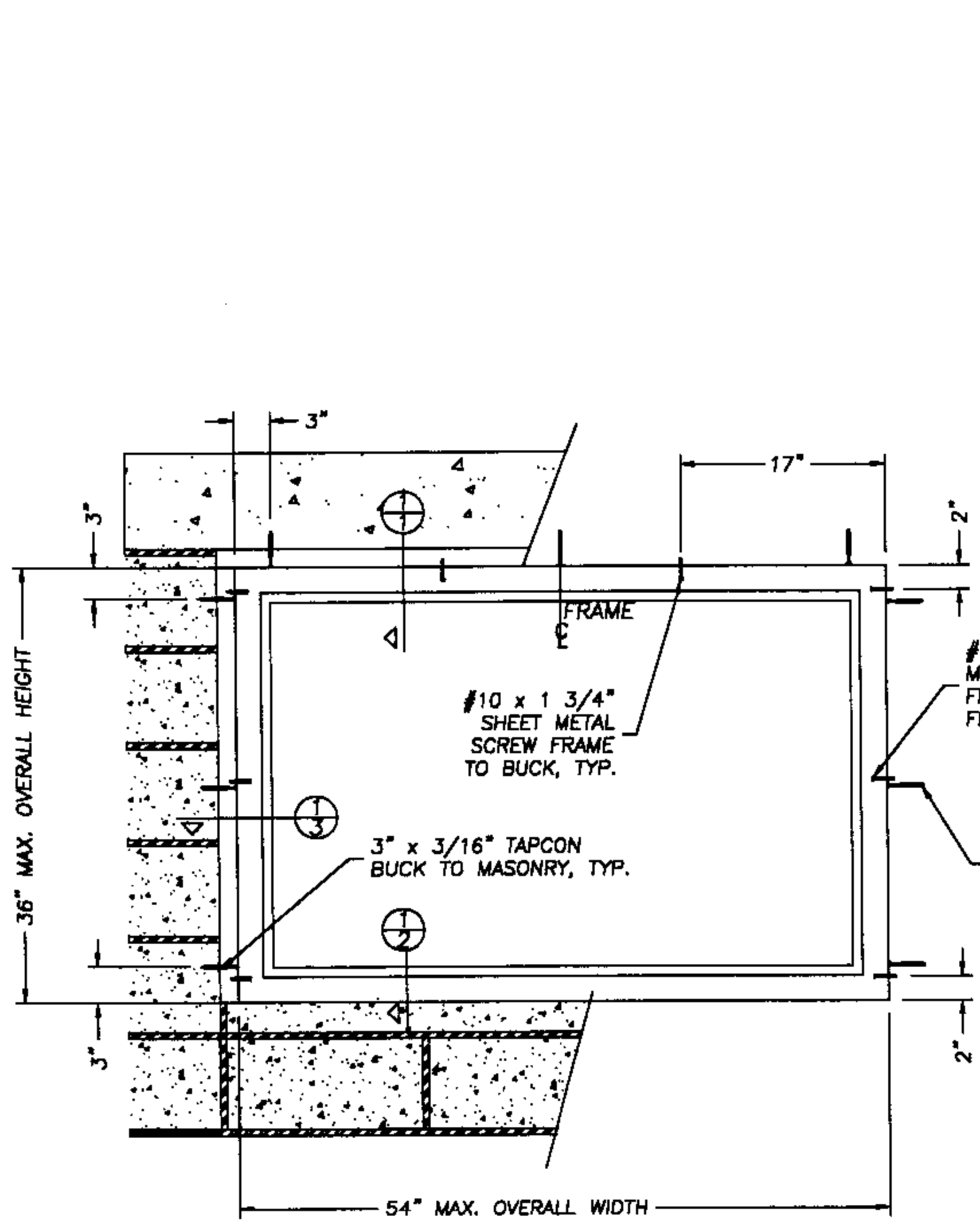
Great Lakes Window
 3049 Tracy Road
 PO Box 1896
 Toledo, Ohio 43603-1896
 PH. 419.662.3505

ANCHORING CROSS SECTIONS
 FOR 1X BUCK TO MASONRY
 AWNING VINYL WINDOW

RW BUILDING
 CONSULTANTS, INC.
 813.659.9197

DATE: 6/19/02
 SCALE: N.T.S.
 DWG. BY: WLN
 CHK. BY: R.W.
 DRAWING NO.:
 GL-106-OC
 SHEET 2 OF 3

NOTE:
 Adjust Tapcon anchor locations, if necessary, to maintain a minimum 2.0" clearance from mortar joints.



NOTE:
Adjust Tapcon anchor locations, if necessary, to maintain a minimum 2.0" clearance from mortar joints.

JULY 15, 2002
Lyndon F. Schmidt
Florida P. E. No. 43409
19506 French Lace Drive
Lutz, FL 33558

Great Lakes Window
3049 Tracy Road
PO Box 1896
Toledo, Ohio 43603-1896
PH. 419.662.3505

**ANCHORING CROSS SECTIONS
FOR 2X BUCK TO MASONRY
AWNING VINYL WINDOW**

**RW BUILDING
CONSULTANTS, INC.**
813.859.9197

DATE: 6/19/02
SCALE: N.T.S.
DWG. BY: WLN
CHK. BY: R.W.
DRAWING NO.:
GL-106-OC
SHEET 3 OF 3