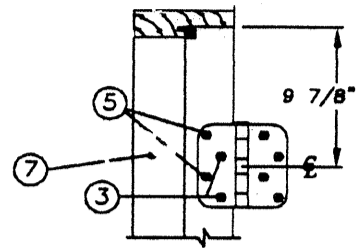
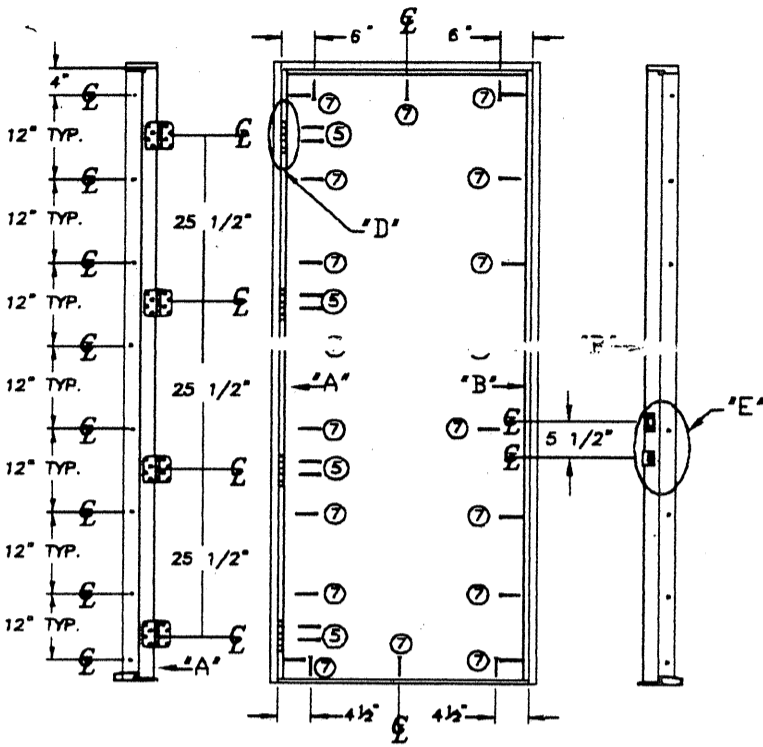
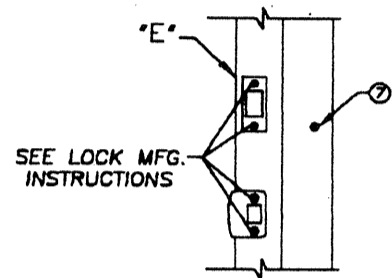


FINAL ANCHORING OF A WOOD FRAME UP TO 5'4" X 8'0"
SINGLE OUTSWING UNIT W/NO SIDELITES
PRODUCT ACCEPTANCE No.: D8SO225



"D" HINGE DETAIL

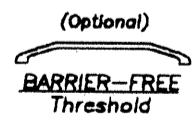
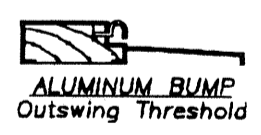
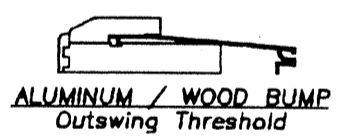
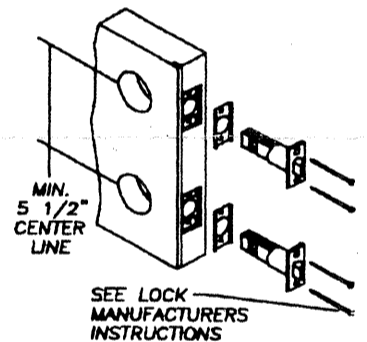
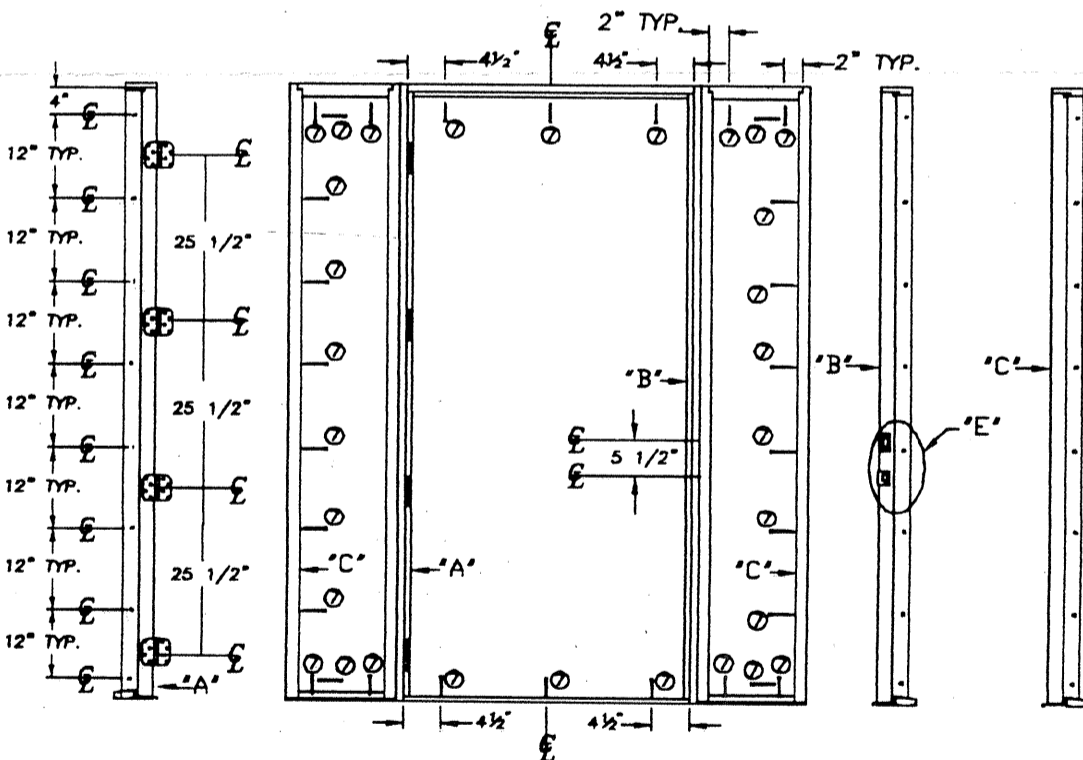
NOTE:
 WHEN SIDELITE IS ATTACHED TO HINGE JAMB A #4 SCREW MUST BE USED INSTEAD OF A #5 SCREW AND A #7 SCREW PER SCREW SCHEDULE.



"E" LATCH JAMB

NOTE:
 WHEN SIDELITE IS ATTACHED TO LATCH JAMB USE #8 X 1 3/4" PHILLIPS FLAT HEAD SCREWS IN STRIKE PLATES, AND #4 SCREW IN PLACE OF #7 FROM SCREW SCHEDULE.

SCREW SCHEDULE	
③	#10 X 5/8" PHILLIPS FLAT HEAD
④	#10 X 1 3/4" PHILLIPS FLAT HEAD
⑤	#10 X 2" PHILLIPS FLAT HEAD
⑦	#10 X 3" PHILLIPS FLAT HEAD



Product Acceptance No: D8SO-225						
Size: up to 5'4" x 8'0"	Outswing (wood jamb)		Configuration: X, OXO, XO, OX			
	2'0	2'4	2'6	2'8	3'0	
Single Opaque W/Sidelites	+99 -99	+89 -89	+84 -84	+78 -78	+70 -70	
Single Glazed W/Sidelites	+99 -99	+89 -89	+84 -84	+53.34 -64.01	+50 -60	
(Door does not meet Missile Impact)				+78 -78	+70 -70	
Test # 210-2024.4.5.6.10,11,12				+53.34 -64.01	+50 -60	
Mfg. by: Nan Ya Plastics / Plastpro Livingston, NJ 07639						