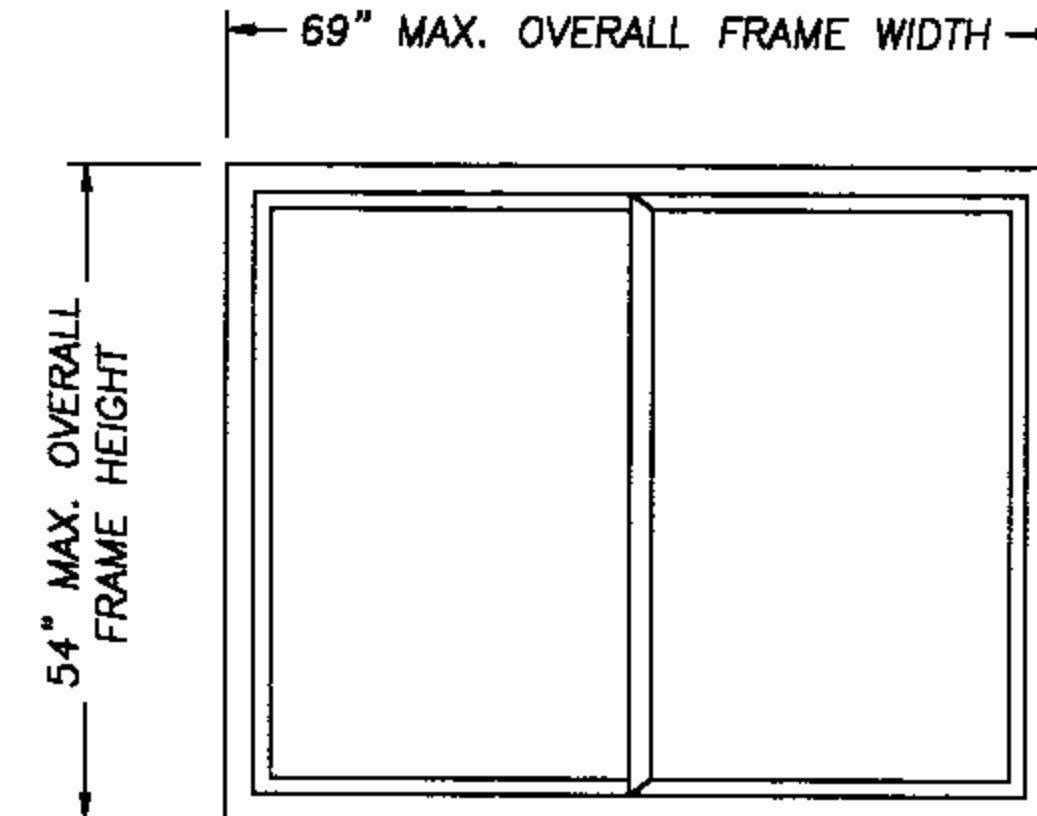
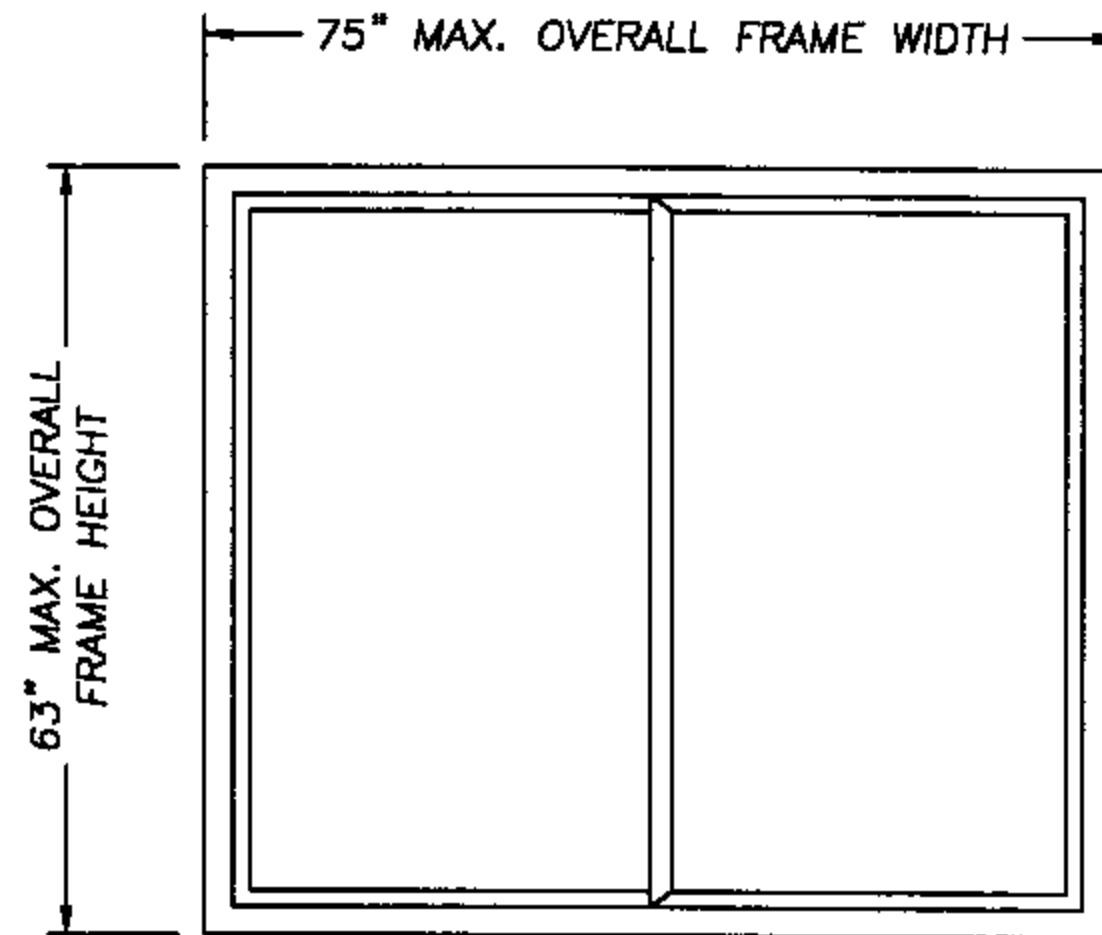
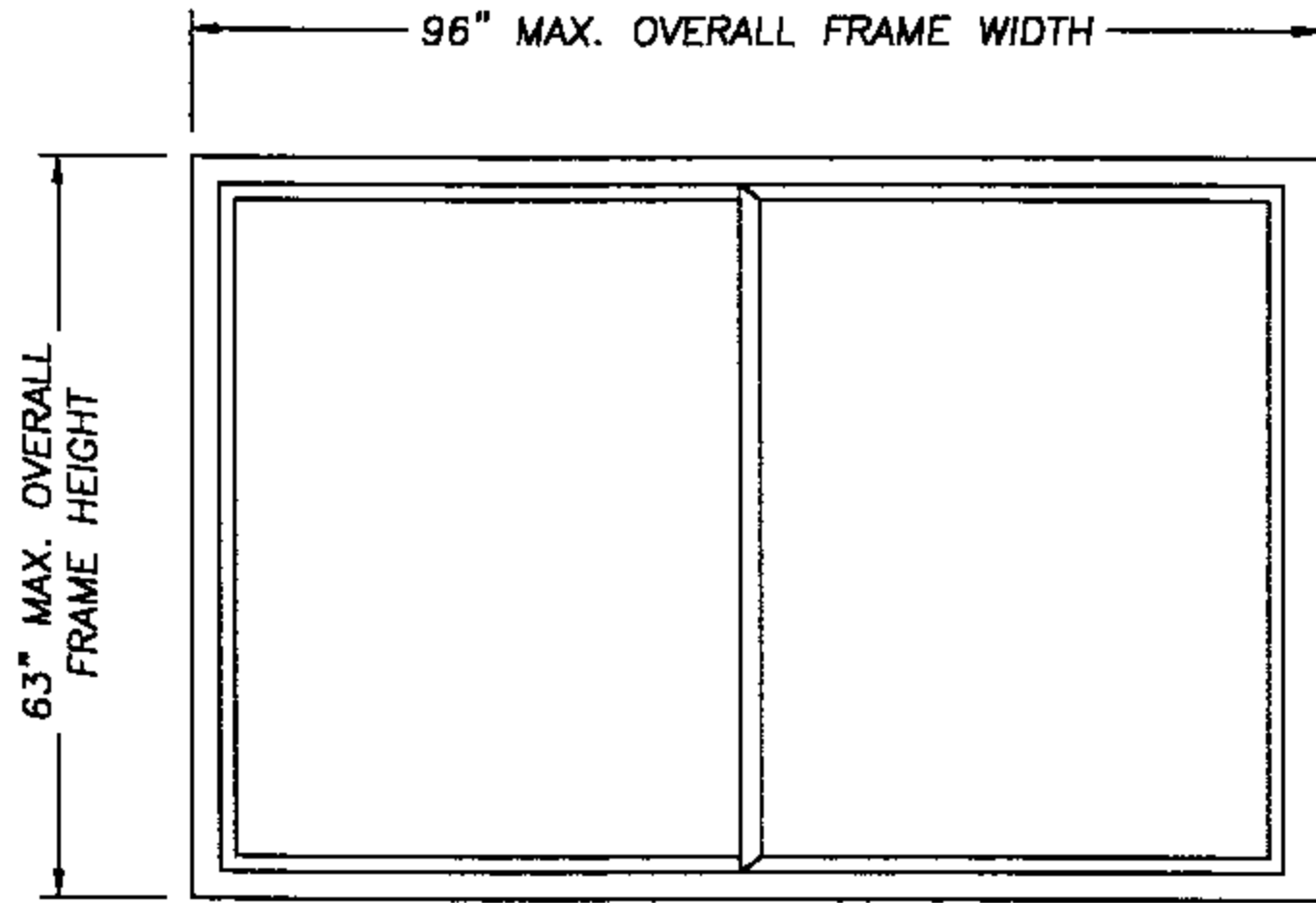


GREAT LAKES WINDOW

UNIFRAME SERIES
EXTRUDED VINYL HORIZONTAL SLIDER WINDOWS



X	X
DESIGN PRESSURE RATING	
POS. 25.0 NEG. 25.0	
GLASS TABLE	
7/8" INSULATED GLASS	
1/8" ANN. - AIR SPACE- 1/8" ANN.	

X	X
DESIGN PRESSURE RATING	
POS. 32.0 NEG. 32.0	
(ACHIEVED BY COMPARISON ANALYSIS)	
GLASS TABLE	
7/8" INSULATED GLASS	
3/32" ANN. - AIR SPACE- 3/32" ANN.	

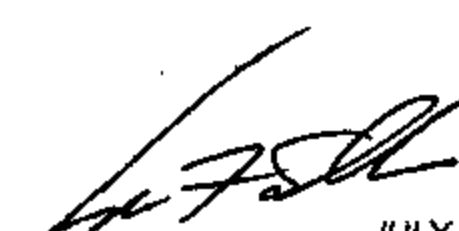
X	X
DESIGN PRESSURE RATING	
POS. 40.0 NEG. 40.0	
GLASS TABLE	
7/8" INSULATED GLASS	
3/32" ANN. - AIR SPACE- 3/32" ANN.	

GENERAL NOTES

1. THIS PRODUCT IS DESIGNED TO COMPLY WITH THE FLORIDA BUILDING CODE.
2. PRODUCT ANCHORS SHALL BE AS LISTED AND SPACED AS SHOWN ON DETAILS.
3. WHEN THIS PRODUCT IS USED IN AN AREA REQUIRING WINDBORNE DEBRIS PROTECTION, FLORIDA BUILDING CODE APPROVED IMPACT RESISTANT SHUTTERS ARE REQUIRED.
4. MASONRY ANCHORING FOR 1x BUCK SEE SHEET 2 OF 3.
5. MASONRY ANCHORING FOR 2x BUCK SEE SHEET 3 OF 3.

PRODUCT DESCRIPTION

1. VINYL HORIZONTAL SLIDER WINDOW WITH MITERED AND WELDED CORNERS.
2. THE HEAD AND SIDE JAMBS ARE EXTRUDED VINYL WITH AN EXTERIOR WALL THICKNESS OF 0.070" +/- 0.008".
3. FIBERGLASS PULLTRUSION REINFORCEMENT UTILIZED INSIDE ALL MEETING RAILS.


 JULY 15, 2002
 Lyndon F. Schmidt
 Florida P. E. No. 43409
 19506 French Lace Drive Lutz, FL 33558

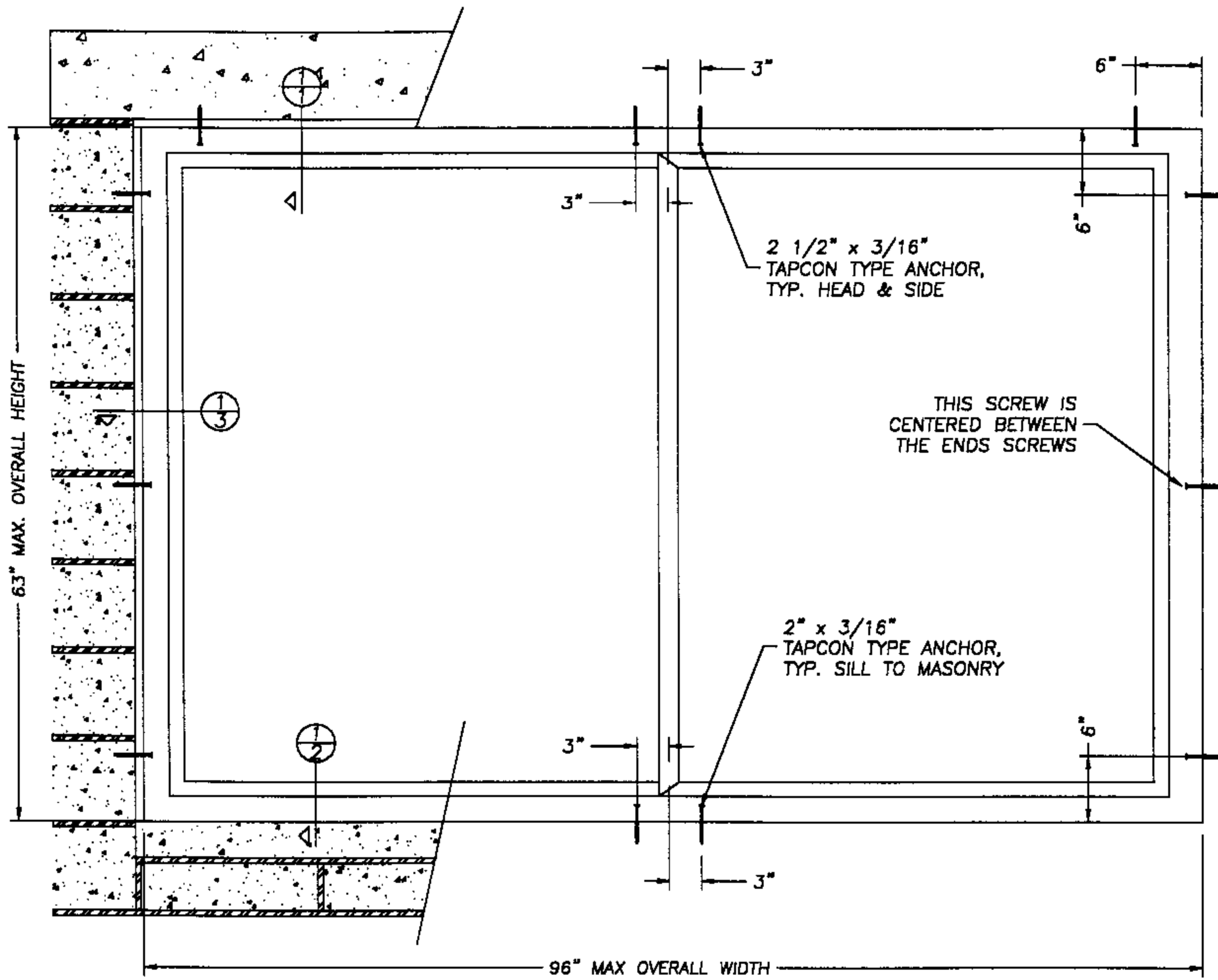
Great Lakes Window
 3049 Tracy Road
 PO Box 1896
 Toledo, Ohio 43603-1896
 PH. 419.662.3505

PRODUCT: GREAT LAKES
 EXTRUDED VINYL
 HORIZONTAL SLIDER WINDOW
 PART OR ASSEMBLY:
 GENERAL NOTES &
 TYPICAL ELEVATIONS

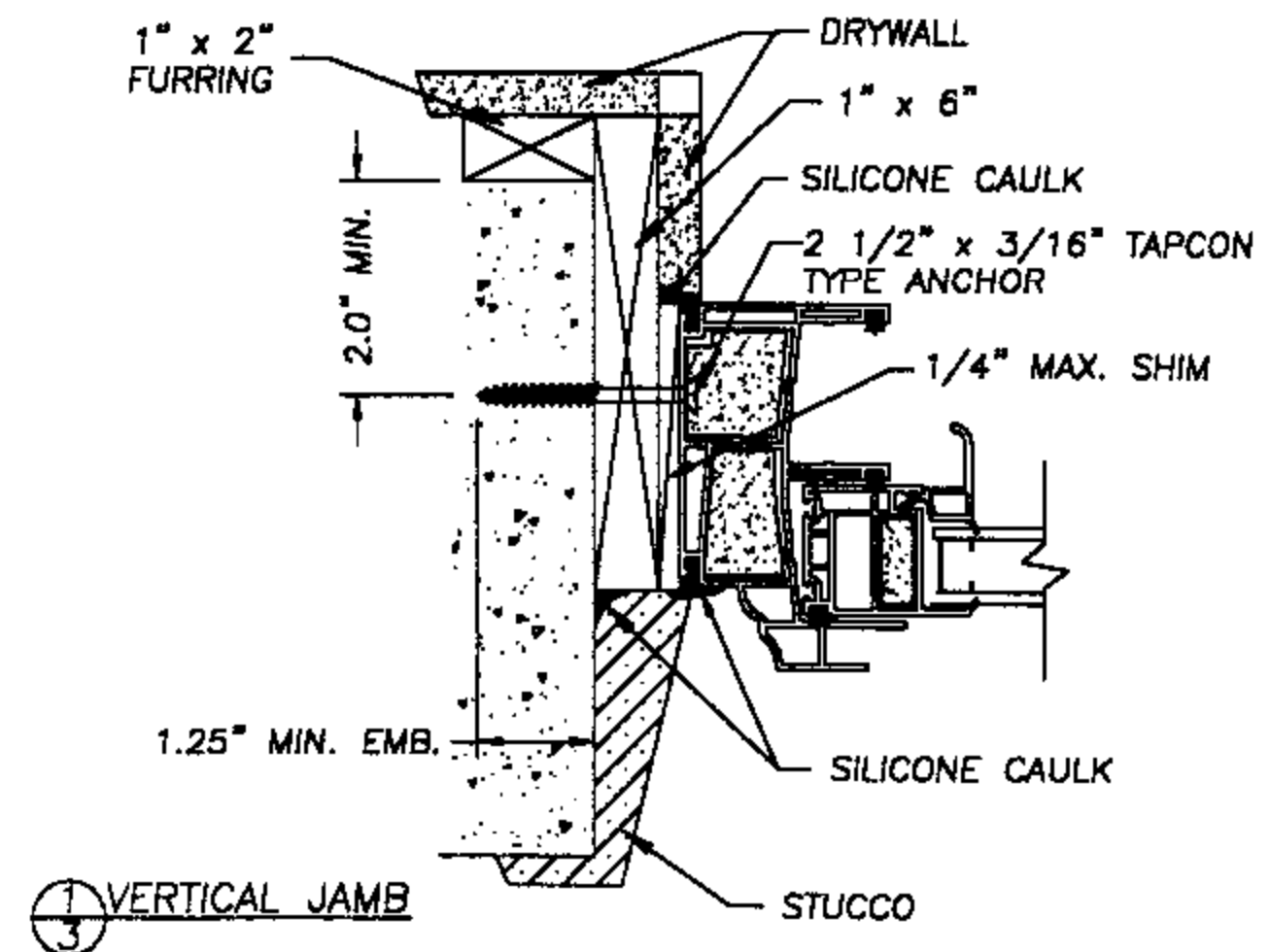
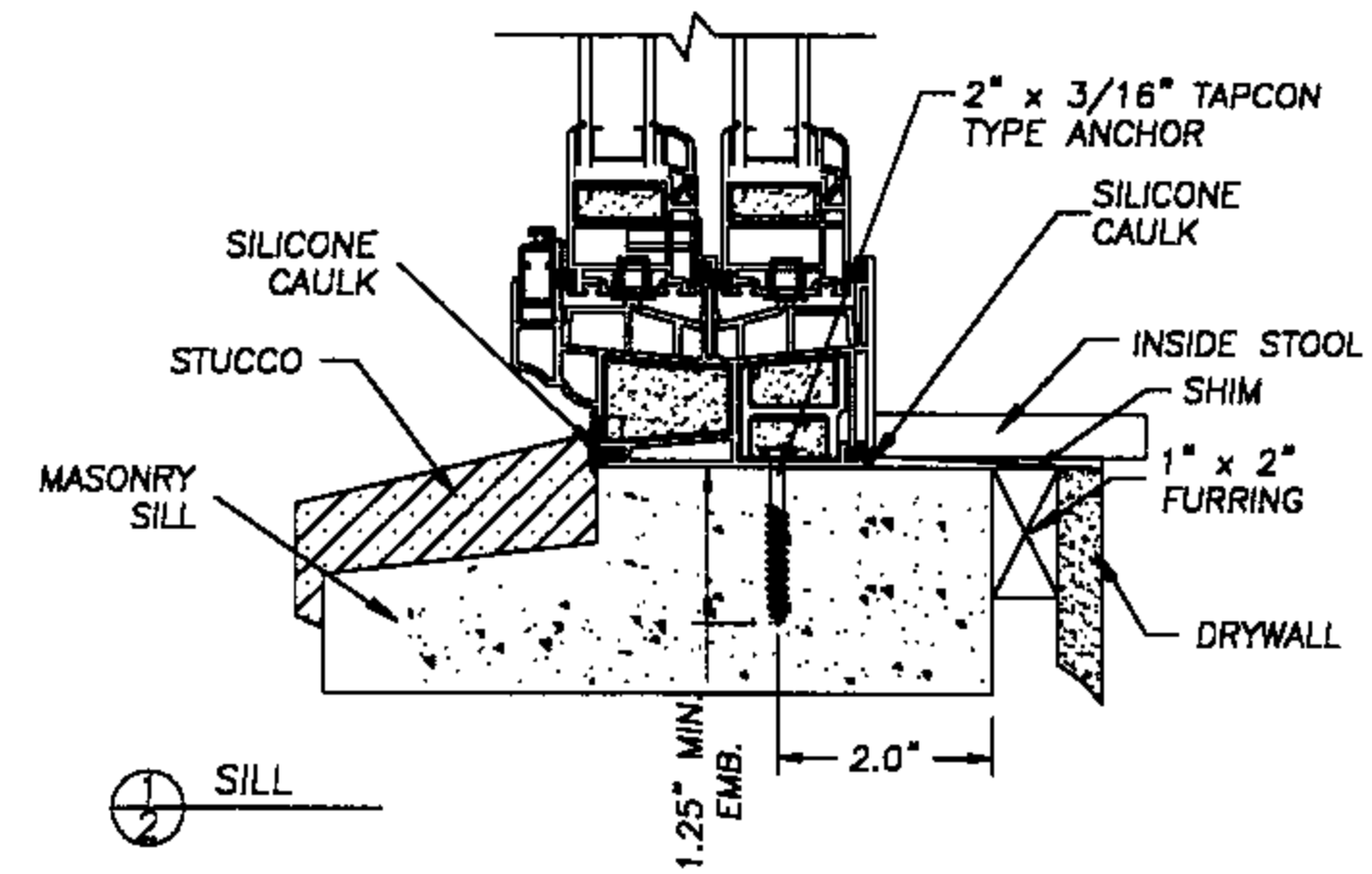
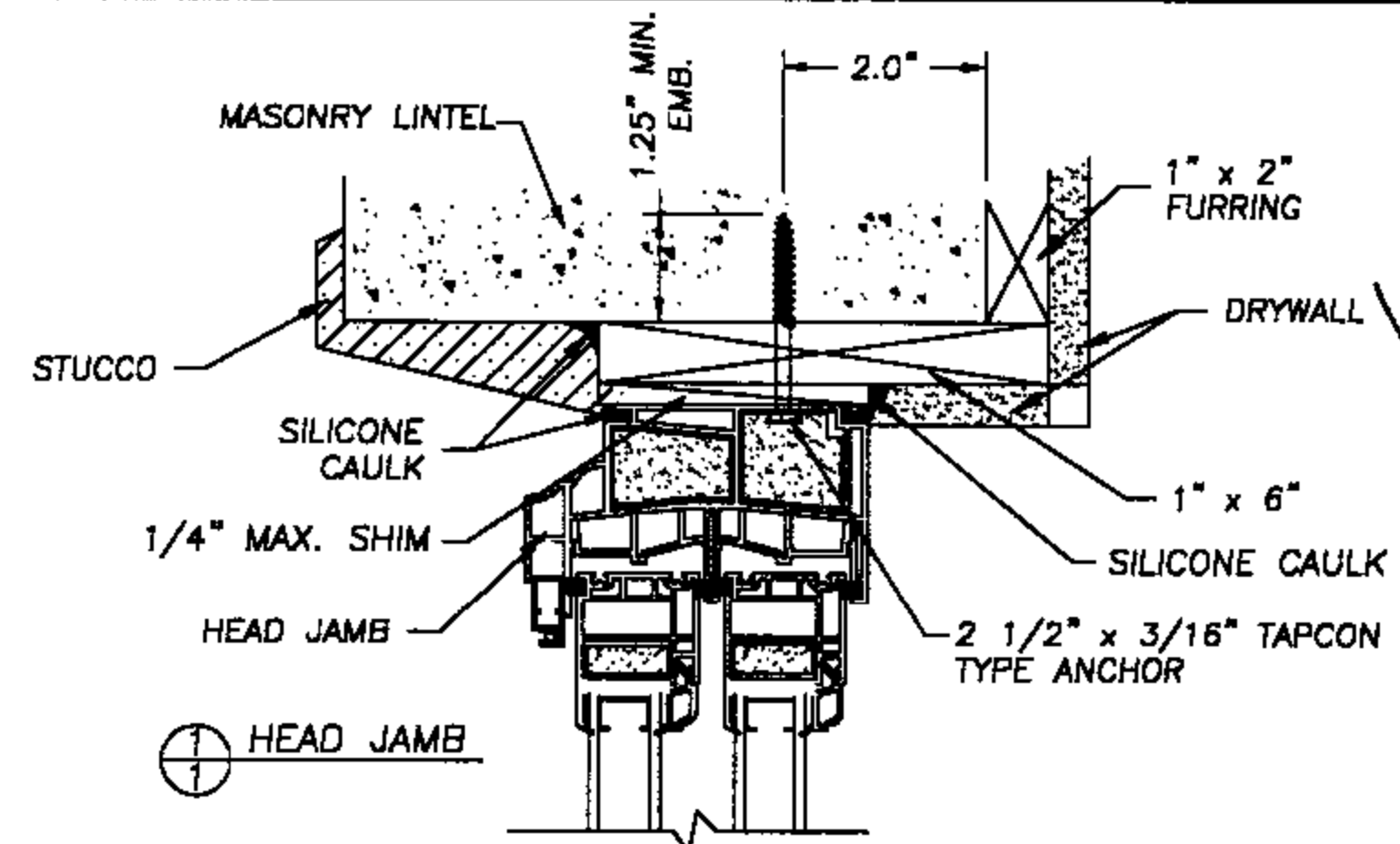
NO.	DATE	BY	REVISIONS


 RW BUILDING
 CONSULTANTS, INC.
 813.659.9197

DATE: 6/18/02
 SCALE: N.T.S.
 DWG. BY: WLN
 CHK. BY: RW
 DRAWING NO.:
 GL-103-OC
 SHEET 1 OF 3



NOTE:
Adjust Tapcon anchor locations, if necessary, to maintain a minimum 2.0" clearance from mortar joints.



JULY 15, 2002
Lyndon F. Schmidt
Florida P. E. No. 43409
19506 French Lace Drive
Lutz, FL 33558

Great Lakes Window
30499 Tracy Road
PO Box 4896
Toledo, Ohio 43603-1896
PH. 419.662.3505

**ANCHORING CROSS SECTIONS
FOR 1x BUCK TO MASONRY
HORIZONTAL SLIDING
VINYL WINDOW**

**RW BUILDING
CONSULTANTS, INC.**
813.659.9197

DATE: 6/18/02
SCALE: N.T.S.
DWG. BY: WLN
CHK. BY: R.W.
DRAWING NO.:
GL-103-OC
SHEET 2 OF 3

