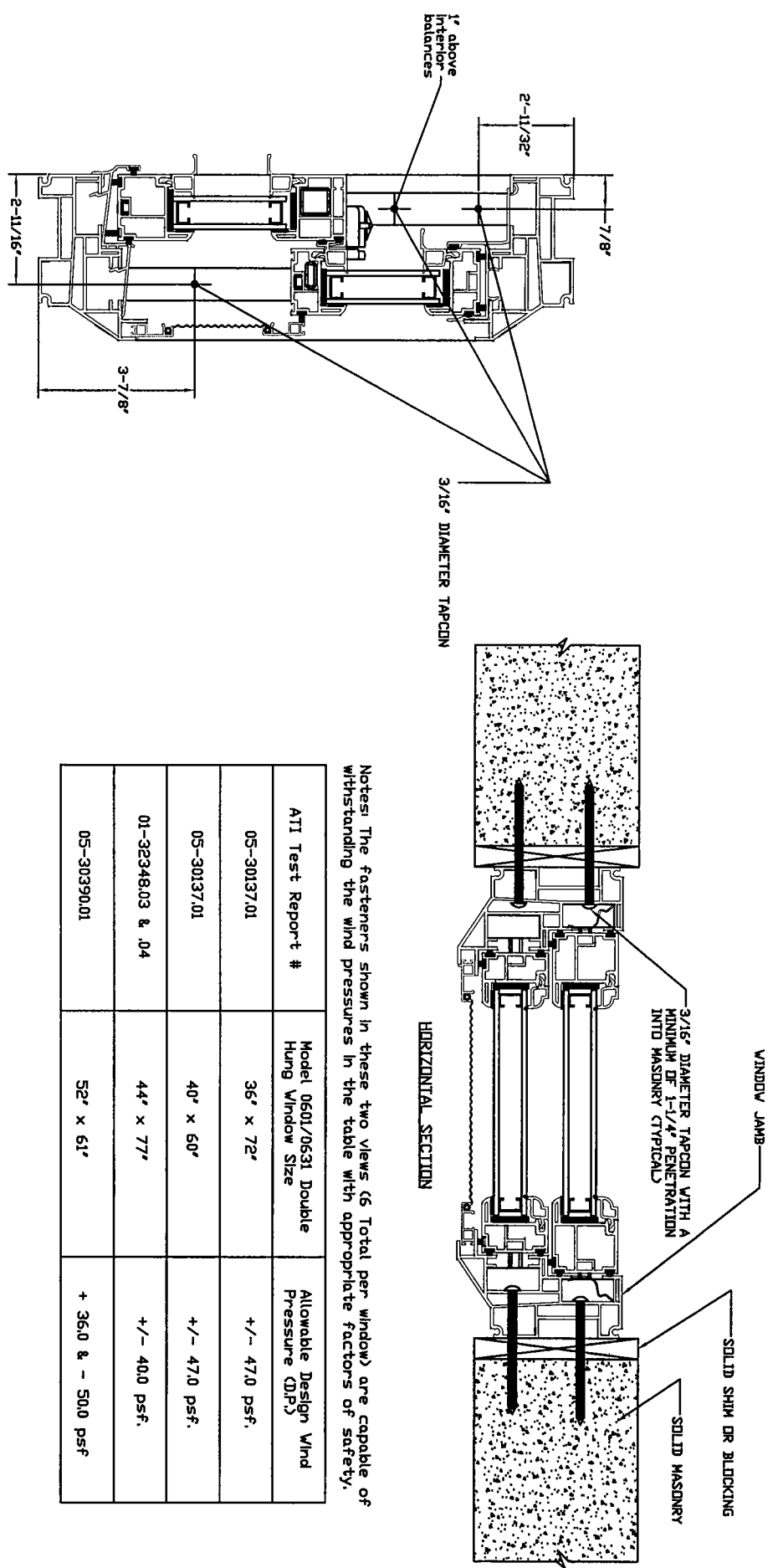


REV	DATE	DESCRIPTION	BY
1	10/16/02	CORRECTED RPT. 01-32348 & ADDED 05-30390.01 ANR	



Notes: The fasteners shown in these two views (6 Total per window) are capable of withstanding the wind pressures in the table with appropriate factors of safety.

ATI Test Report #	Model 0601/0631 Double Hung Window Size	Allowable Design Wind Pressure (D.P.)
05-30137.01	36' x 72'	+/- 47.0 psf.
05-30137.01	40' x 60'	+/- 47.0 psf.
01-32348.03 & .04	44' x 77'	+/- 400 psf.
05-30390.01	52' x 61'	+ 36.0 & - 50.0 psf

LEFT JAMB SHOWN
VERTICAL SECTION

HORIZONTAL SECTION

PROJECT NO.
01-41462
115-34

PROJECT NAME: MODEL 0601/0631 WINDOW INSTALLATION
CLIENT: ALSIDE WINDOW COMPANY

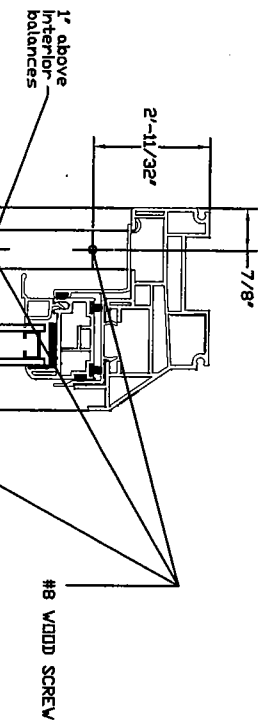


DRAWING
MASONRY WALL INSTALLATION FASTENERS

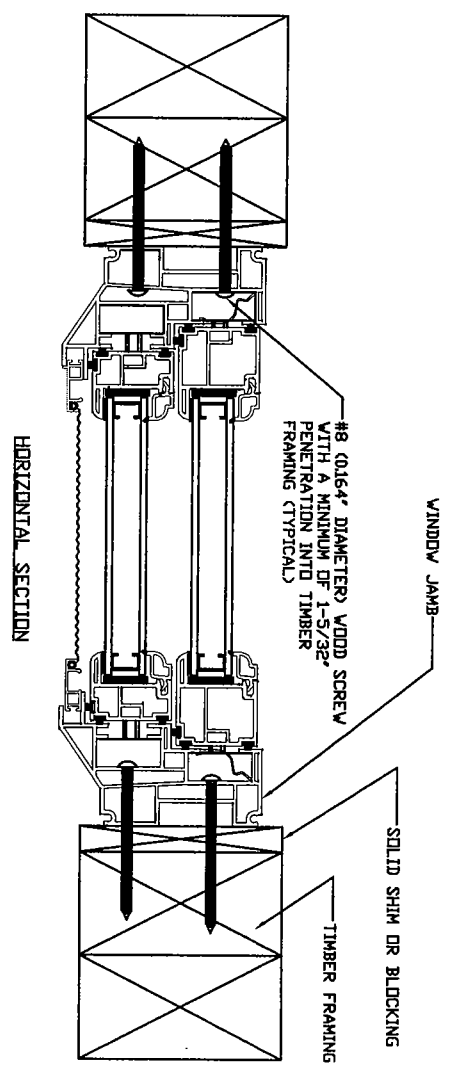
Alan M. Rame
18 OCTOBER 2002

DWG. BY: TAJ
DATE: 05/08/02
SHEET 1 OF 1

REV	DATE	DESCRIPTION	BY
1	11/20/02	ADDED 01-32348.03 & 05-30137.01 TO TABLE	ANR



LEFT JAMB SHOWN
VERTICAL SECTION



Notes: The fasteners shown in these two views (6 Total per window) are capable of withstanding the wind pressures in the table with appropriate factors of safety.

ATI Test Report #	Model 0601/0631 Double Hung Window Size	Allowable Design Wind Pressure (D.P.)
05-30390.01	52' x 61'	+ 36.0 & - 50.0 psf
01-32348.03	44' x 77'	+ 40.0 & - 40.0 psf
05-30137.01	40' x 60'	+ 47.0 & - 47.0 psf
05-30137.01	36' x 72'	+ 47.0 & - 47.0 psf

PROJECT NO. 01-41462
115-34
PROJECT NAME: MODEL 0601/0631 WINDOW INSTALLATION
CLIENT: ALSIDE WINDOW COMPANY



DRAWING
TIMBER WALL INSTALLATION FASTENERS

Alan M. Rees
20 NOVEMBER 2002

DATE	BY	SHEET
11/20/02	JAH	1
		OF
		1