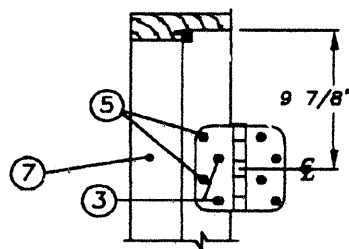
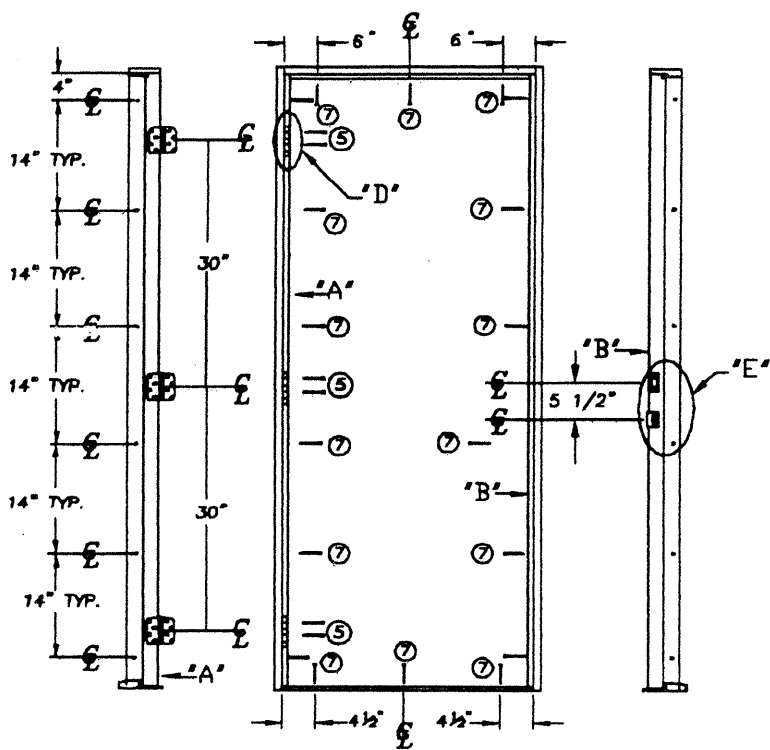
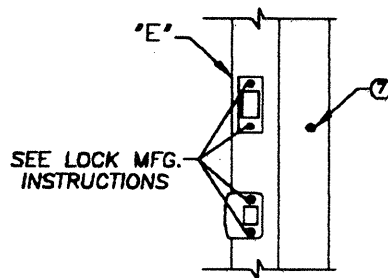


FINAL ANCHORING OF A WOOD FRAME UP TO 5'4" X 6'8"
SINGLE OUTSWING UNIT W/NO SIDELITES
PRODUCT ACCEPTANCE No.: DSO221



"D" HINGE DETAIL

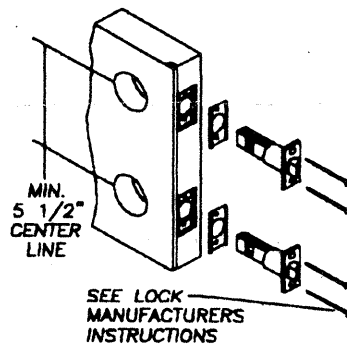
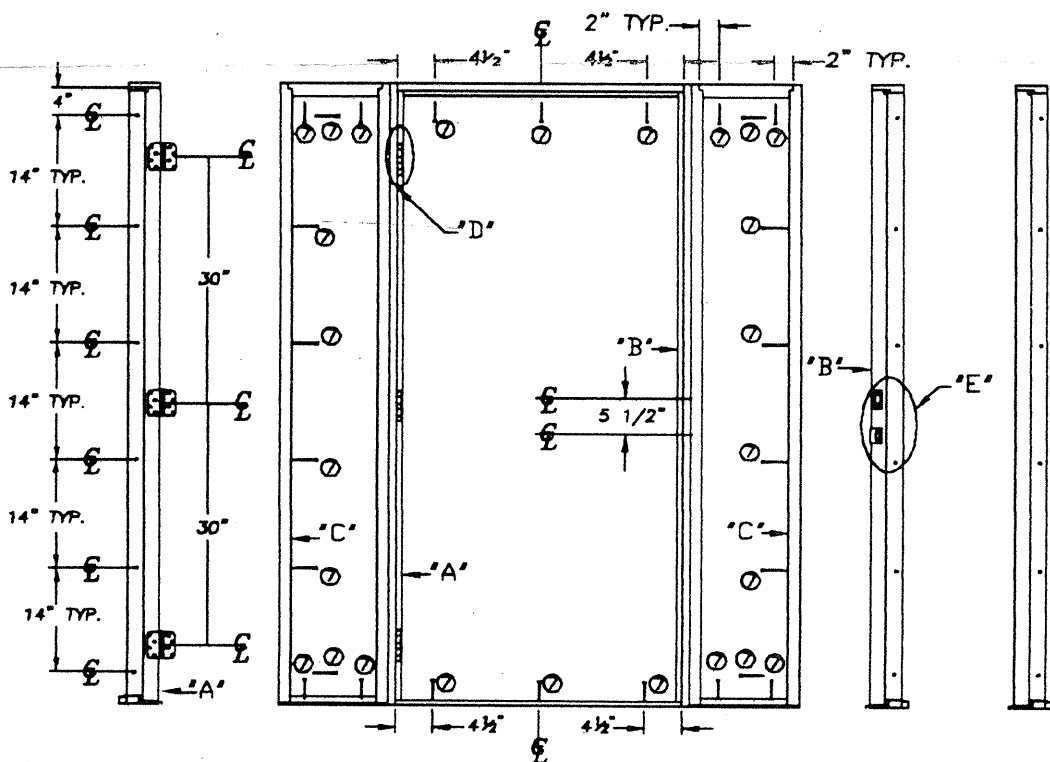
NOTE:
 WHEN SIDELITE IS ATTACHED TO HINGE JAMB A #4 SCREW MUST BE USED INSTEAD OF A #5 SCREW AND A #7 SCREW PER SCREW SCHEDULE.



"E" LATCH DETAIL

NOTE:
 WHEN SIDELITE IS ATTACHED TO LATCH JAMB USE #8 X 1 3/4\"/>

SCREW SCHEDULE	
③	#10 X 5/8" PHILLIPS FLAT HEAD
④	#10 X 1 3/4" PHILLIPS FLAT HEAD
⑤	#10 X 2" PHILLIPS FLAT HEAD
⑦	#10 X 3" PHILLIPS FLAT HEAD



- SEE LOCK MANUFACTURERS INSTRUCTIONS
- ALUMINUM / WOOD BUMP**
Outswing Threshold
- ALUMINUM BUMP**
Outswing Threshold
(Optional)
- BARRIER-FREE**
Threshold

Product Acceptance No: DSO-221						
Size: up to 5'4" x 6'8"	Outswing (wood jamb)		Configuration: X, OXO, XO, OX			
	2'0"	2'4"	2'6"	2'8"	3'0"	
Single Opaque W/Sidelites	+80 -80	+80 -80	+80 -80	+80 -80	+80 -80	
Single Glazed W/Sidelites	+75 -80	+64 -77	+60 -71	+56 -67	+50 -60	
(Door does not meet Missile Impact)				+50 -60	+50 -60	
Test # 210-1987, 210-2024	Mfg by: Nan Ya Plastics / Plastpro Livingston, NJ 07039					