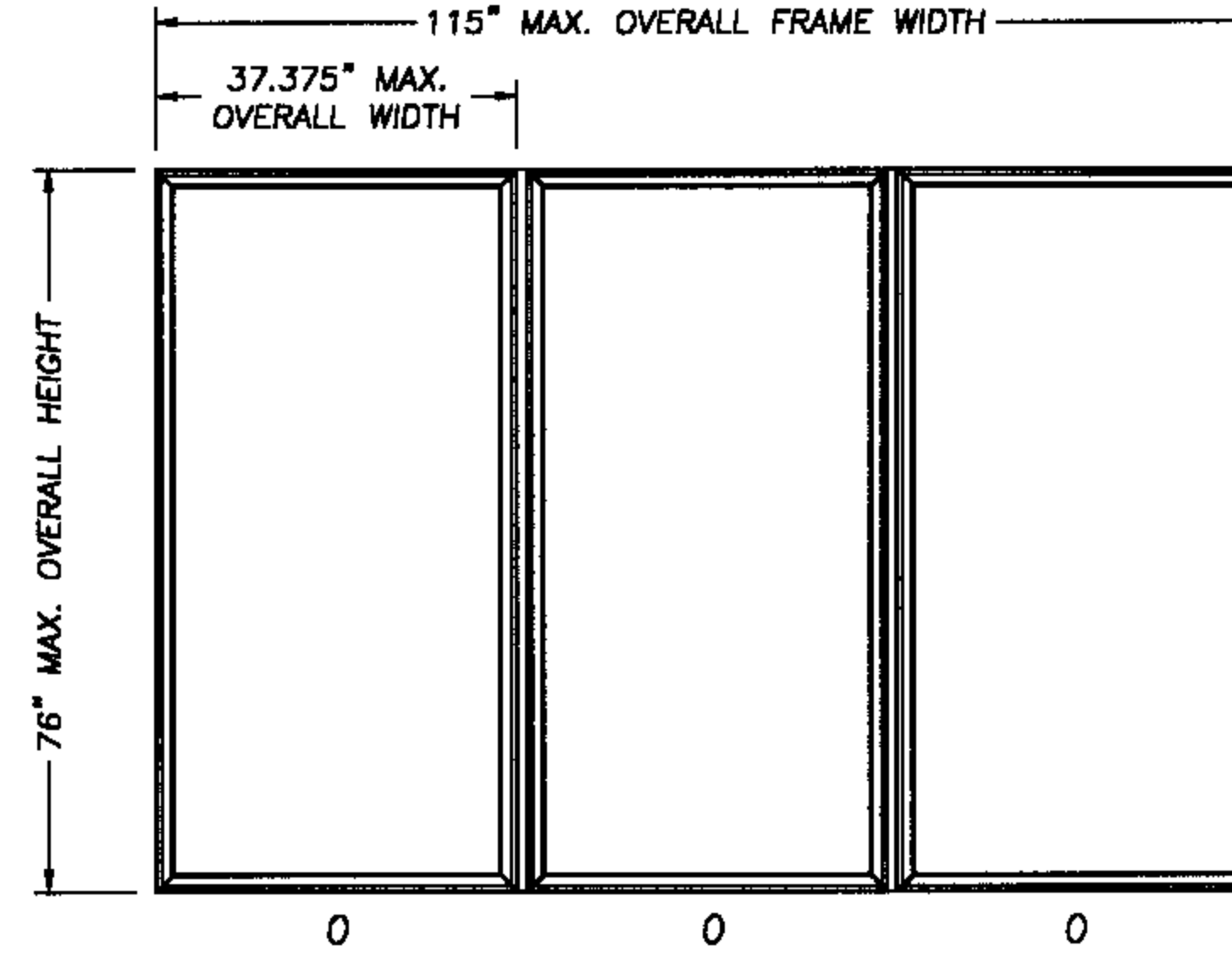
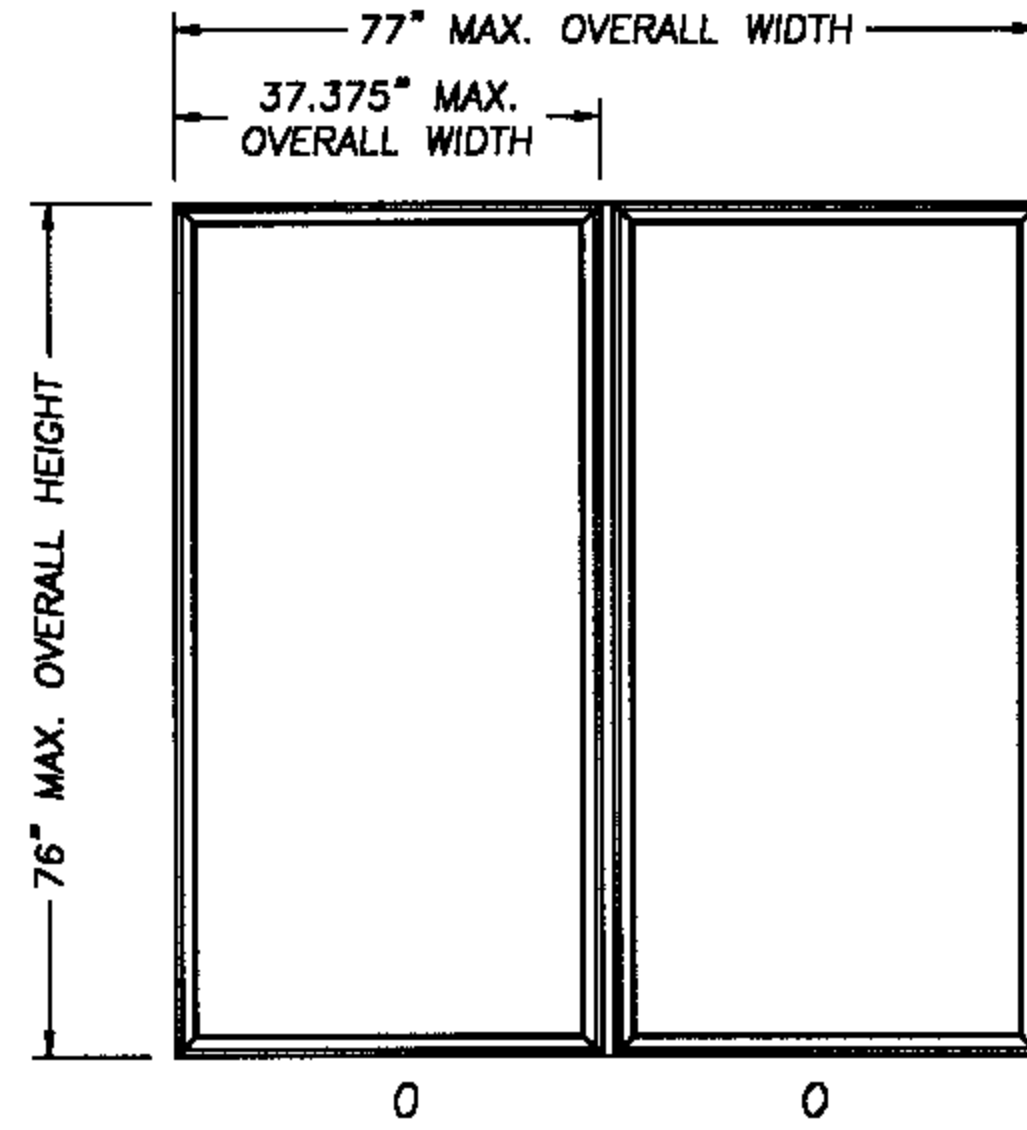
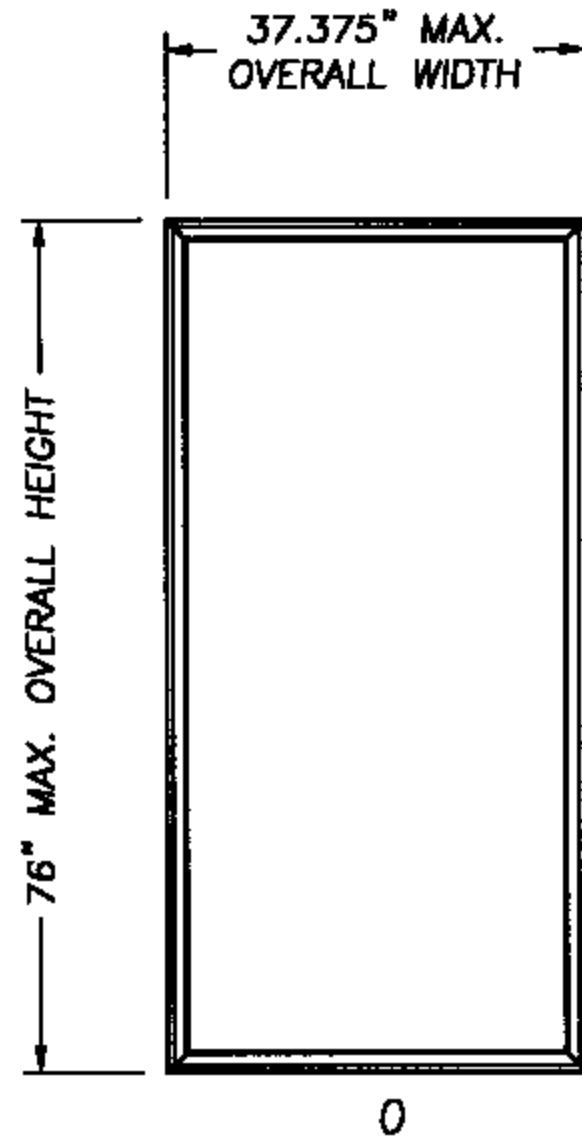


GALAXY WINDOW & DOOR, INC.

TROPICAL FORCE SERIES
EXTRUDED VINYL FIXED FRAME WINDOWS



DESIGN PRESSURE RATING		
RECTANGLE	POS. 60.0	NEG. 65.0
RADIUS	POS. 60.0	NEG. 65.0
GLASS TABLE		
15/32" TEMPERED LAMINATED GLASS		
0.125" TEMP - PVB - PET- PVB - 0.25" TEMP		

DESIGN PRESSURE RATING		
	POS. 60.0	NEG. 65.0
GLASS TABLE		
15/32" TEMPERED LAMINATED GLASS		
0.125" TEMP - PVB - PET- PVB - 0.25" TEMP		

DESIGN PRESSURE RATING		
	POS. 60.0	NEG. 65.0
GLASS TABLE		
15/32" TEMPERED LAMINATED GLASS		
0.125" TEMP - PVB - PET- PVB - 0.25" TEMP		

GENERAL NOTES

1. THIS PRODUCT IS DESIGNED TO COMPLY WITH THE FLORIDA BUILDING CODE.
2. PRODUCT ANCHORS SHALL BE AS LISTED AND SPACED AS SHOWN ON DETAILS.
3. WHEN THIS PRODUCT IS USED IN AN AREA REQUIRING WINDBORNE DEBRIS PROTECTION, FLORIDA BUILDING CODE APPROVED IMPACT RESISTANT SHUTTERS ARE NOT REQUIRED.
4. A "TROPICAL FORCE SERIES" SINGLE HUNG WINDOW MAY BE SUBSTITUTED FOR ANY UNIT IN THE MULLED UNIT COMBINATION AS LONG AS THE WIDTH OF THAT UNIT DOES NOT EXCEED 38".
5. IN THE MULLED APPLICATION YOU CANNOT EXCEED THREE UNITS WITH A MAXIMUM WIDTH OF 115.0".
6. FOR SINGLE FIXED FRAME ANCHORING FOR 1X BUCK SEE SHEET 2 OF 5.
7. FOR SINGLE FIXED FRAME ANCHORING FOR 2X BUCK SEE SHEET 3 OF 5.
8. FOR MULLED FIXED FRAME ANCHORING FOR 1X BUCK SEE SHEET 4 OF 5.
9. FOR MULLED FIXED FRAME ANCHORING FOR 2X BUCK SEE SHEET 5 OF 5.

PRODUCT DESCRIPTION

1. VINYL FIXED FRAME WINDOW WITH MITERED AND WELDED CORNERS.
2. THE HEAD AND SIDE JAMBS ARE EXTRUDED VINYL WITH A MIN. OUTER WALL THICKNESS OF 0.083" AND INNER WALL THICKNESS OF 0.044".
3. THE SILL, HEAD JAMB AND SIDE JAMBS ARE REINFORCED WITH STEEL.
4. EACH ANCHOR POINT THROUGH THE JAMB IS REINFORCED WITH PVC BLOCKING.

GALAXY Window & Door, Inc.
1900 N. Andrews Avenue
Pompano Beach, FL 33069
PH. 954.978.2400

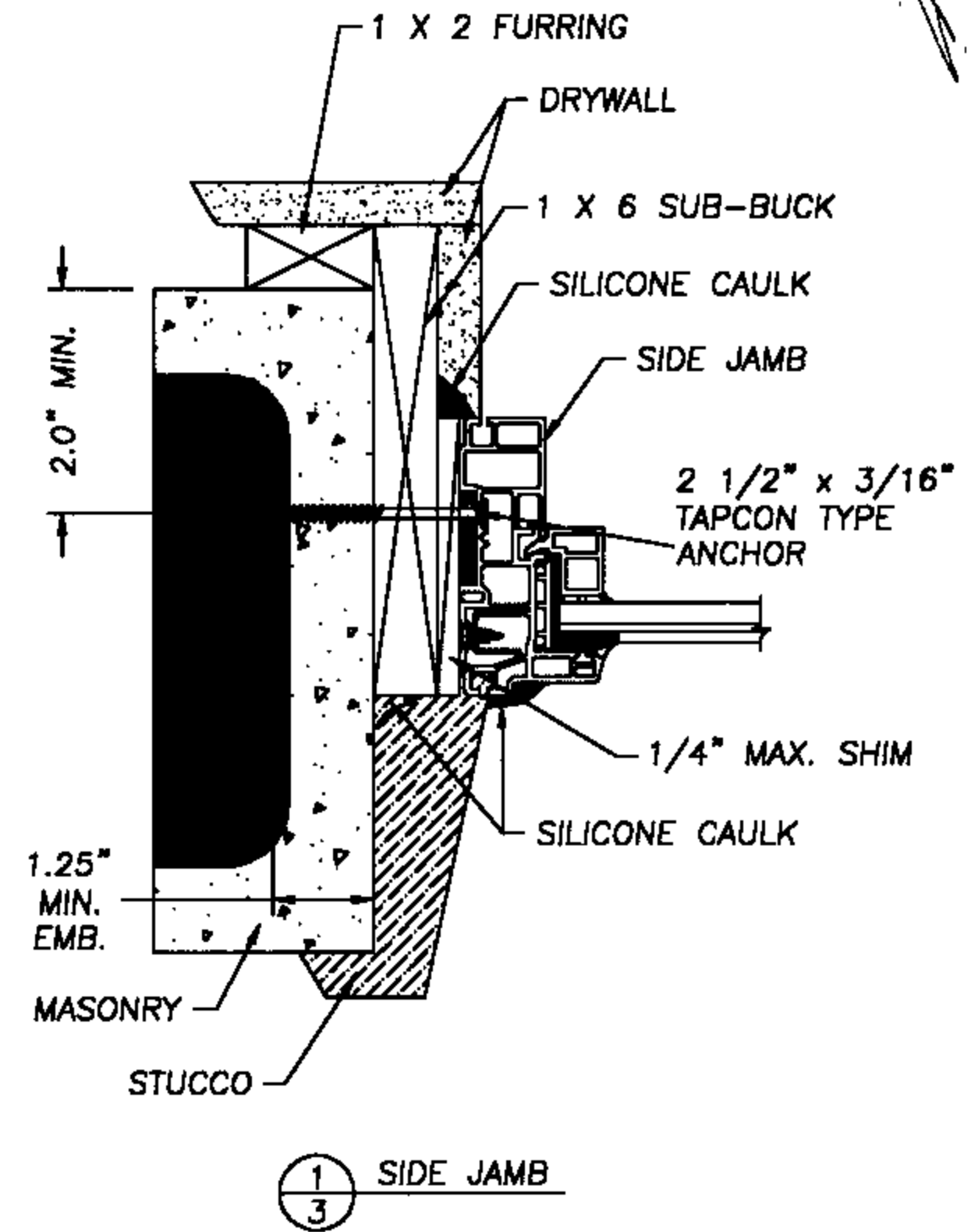
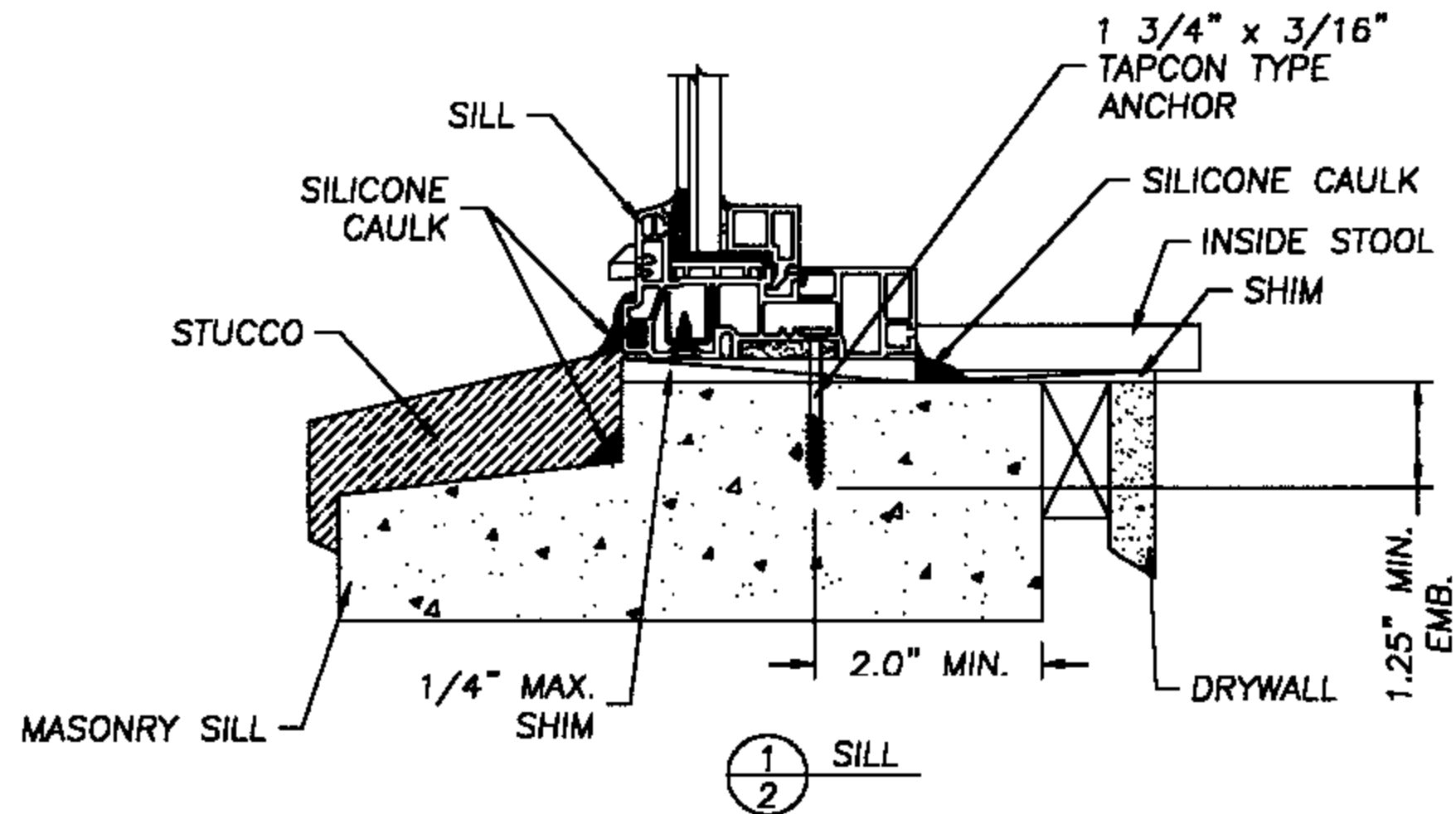
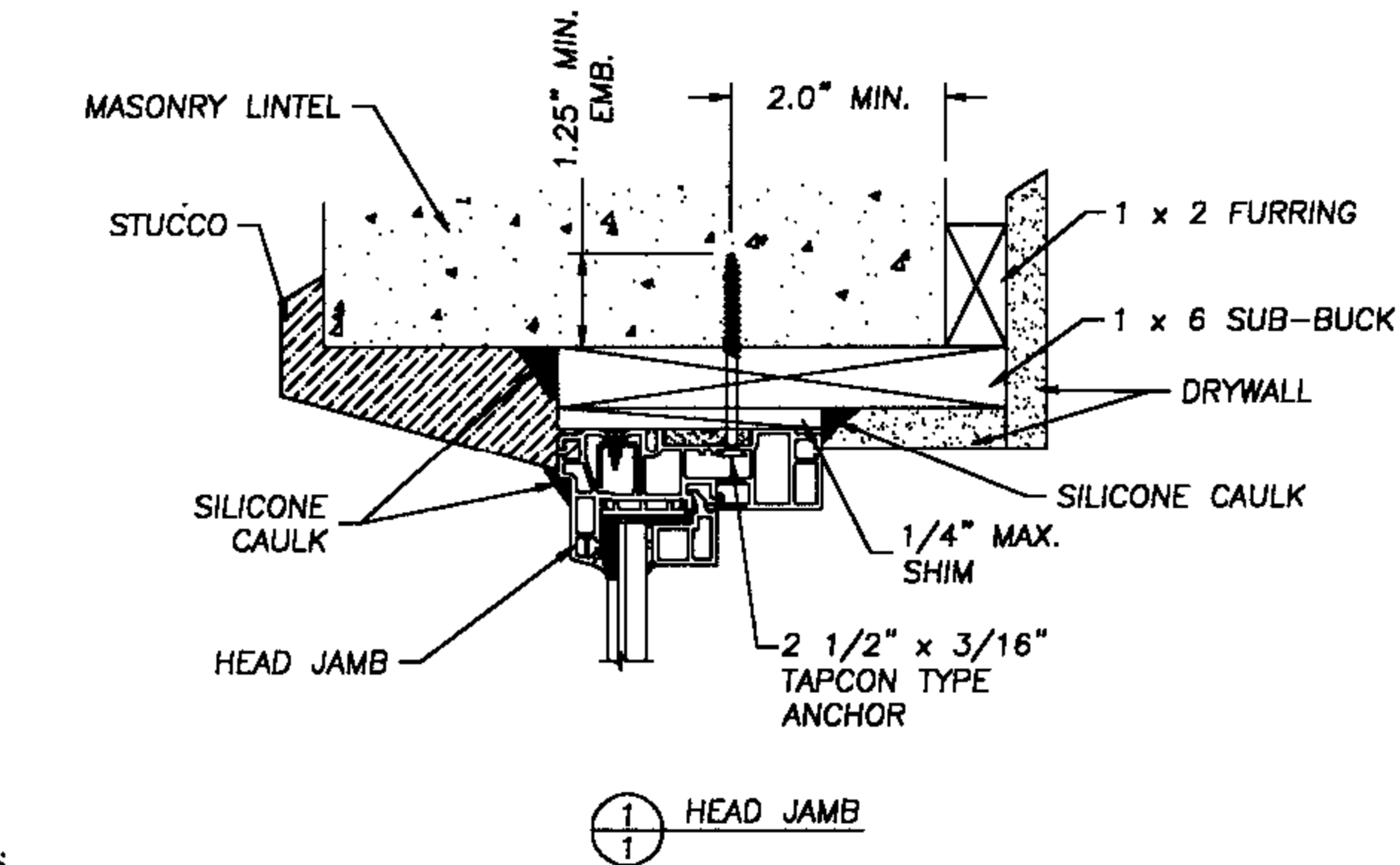
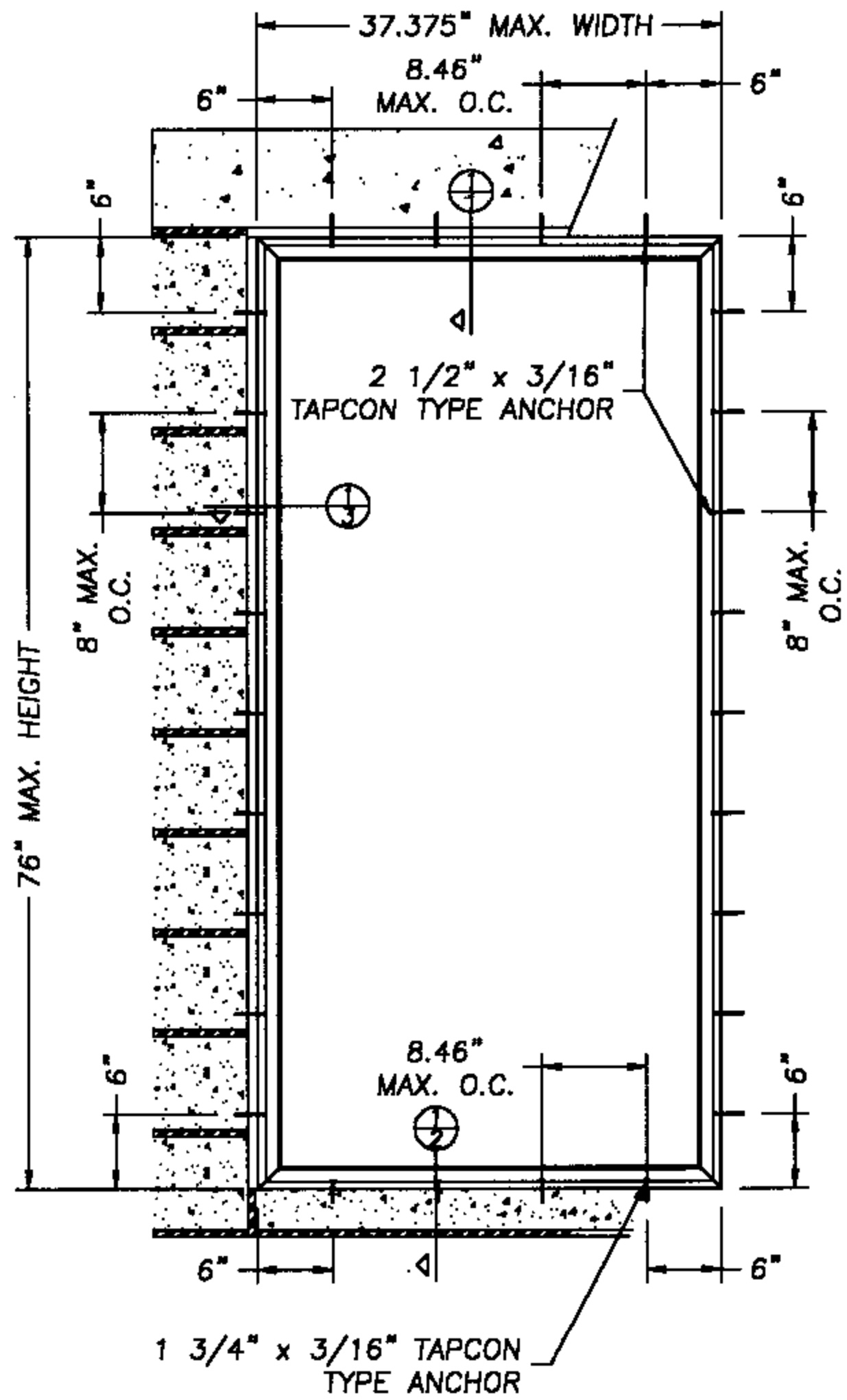
PRODUCT: "TROPICAL FORCE SERIES"
FIX FRAME
EXTRUDED VINYL WINDOW
PART OR ASSEMBLY:
GENERAL NOTES &
TYPICAL ELEVATIONS

NO.	DATE	REVISIONS	BY

RW BUILDING
CONSULTANTS, INC.
813.659.9197

Lyndon F. Schmidt
JULY 15, 2002
Lyndon F. Schmidt
Florida P. E. No. 43409
19506 French Lace Drive Lutz, FL 33558

DATE: 6/18/02
SCALE: N.T.S.
DWG. BY: WLN
CHK. BY: RW
DRAWING NO.:
GX-102M-OC
SHEET 1 OF 5



NOTE:

Adjust Tapcon anchor locations, if necessary, to maintain a minimum 2.0" clearance from mortar joints.

JULY 15, 2002
 Lyndon F. Schmidt
 Florida P. E. No. 43409
 19506 French Lace Drive
 Lutz, FL 33558

GALAXY Window & Door, Inc.
 1900 N. Andrews Avenue
 Pompano Beach, FL 33069
 PH. 954.978.2400

ANCHORING CROSS SECTIONS
 FOR 1X BUCK TO MASONRY
 SINGLE TROPICAL FORCE
 VINYL FIXED FRAME WINDOW

RW BUILDING
 CONSULTANTS, INC.
 813.659.9197

DATE: 6/18/02

SCALE: N.T.S.

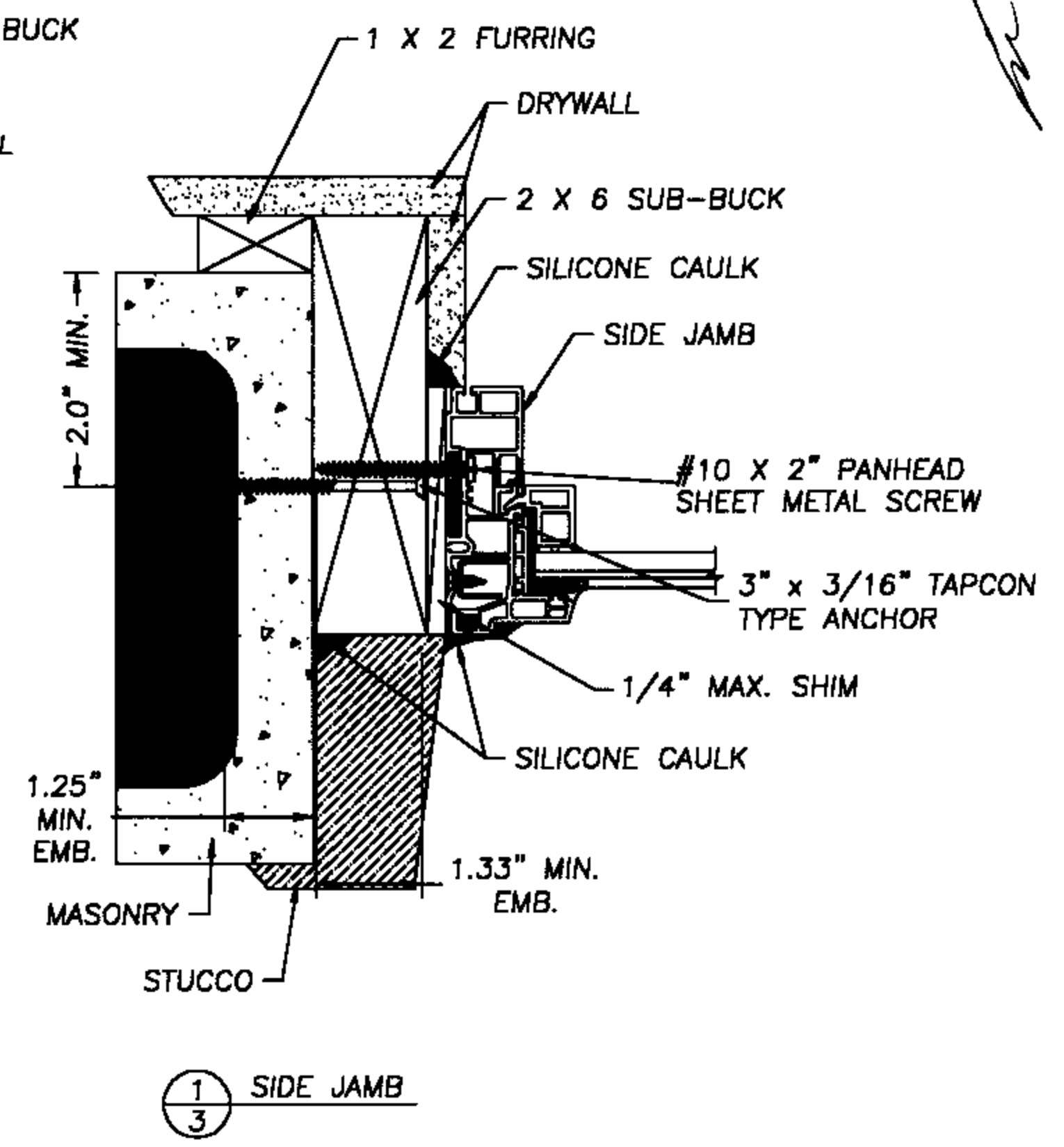
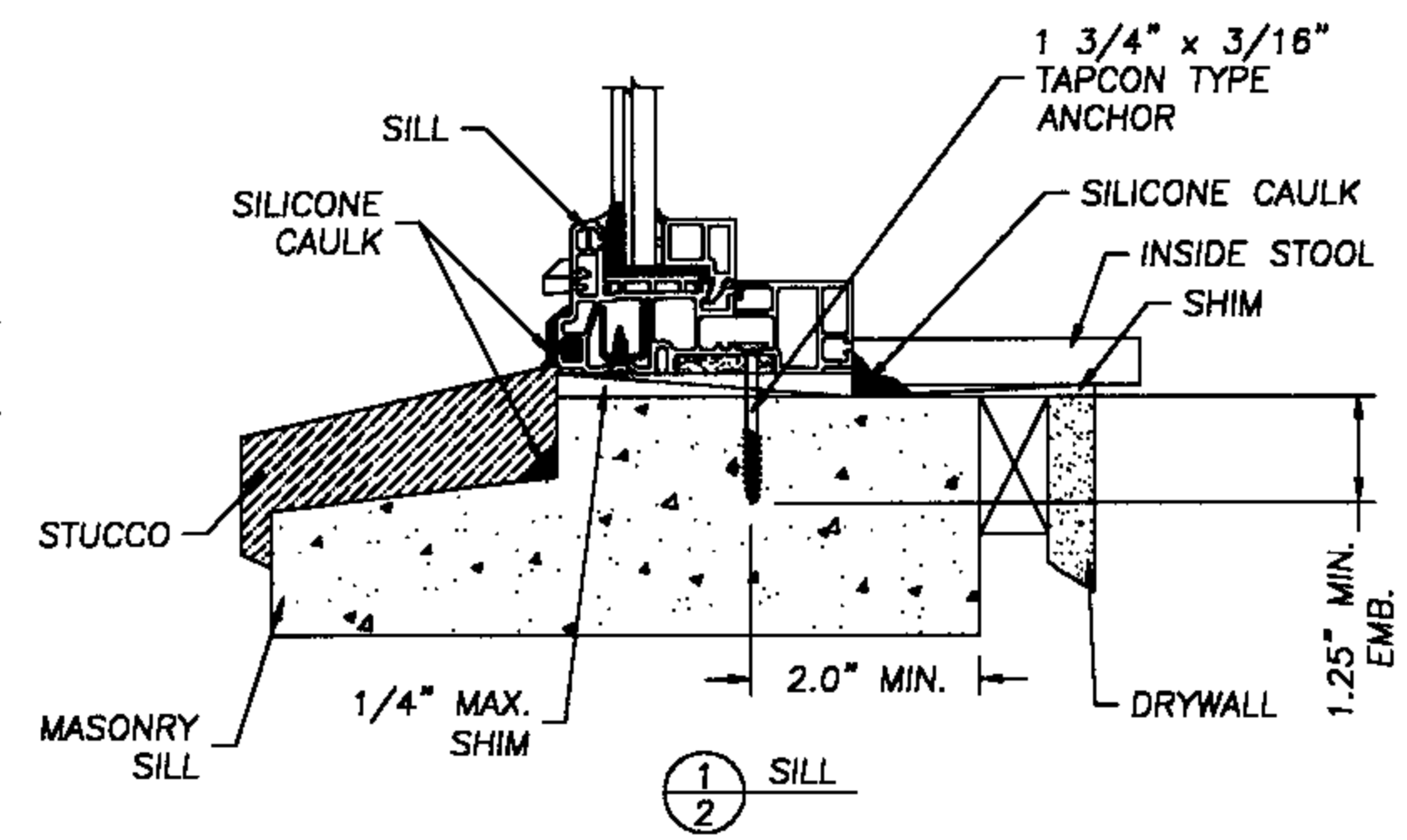
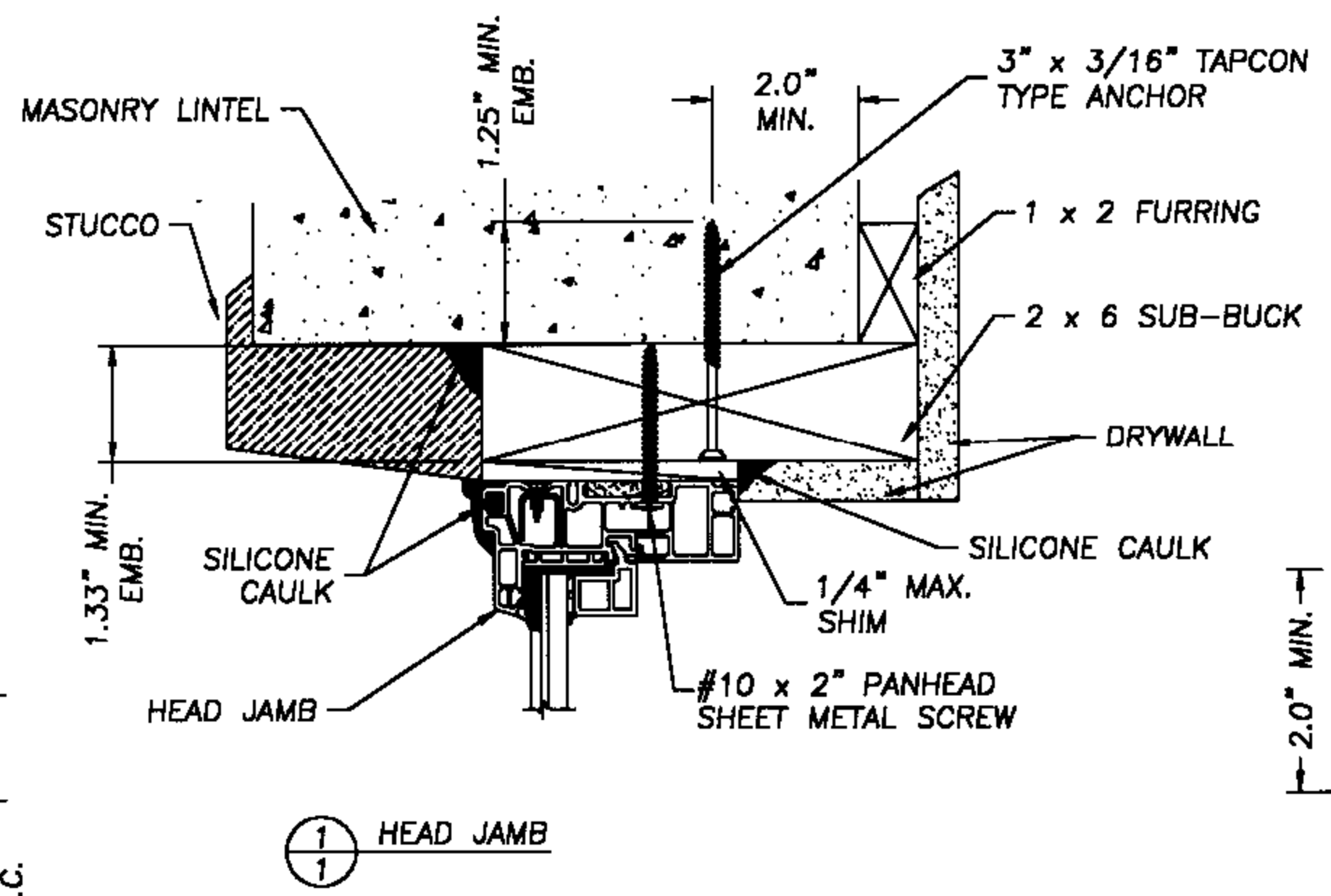
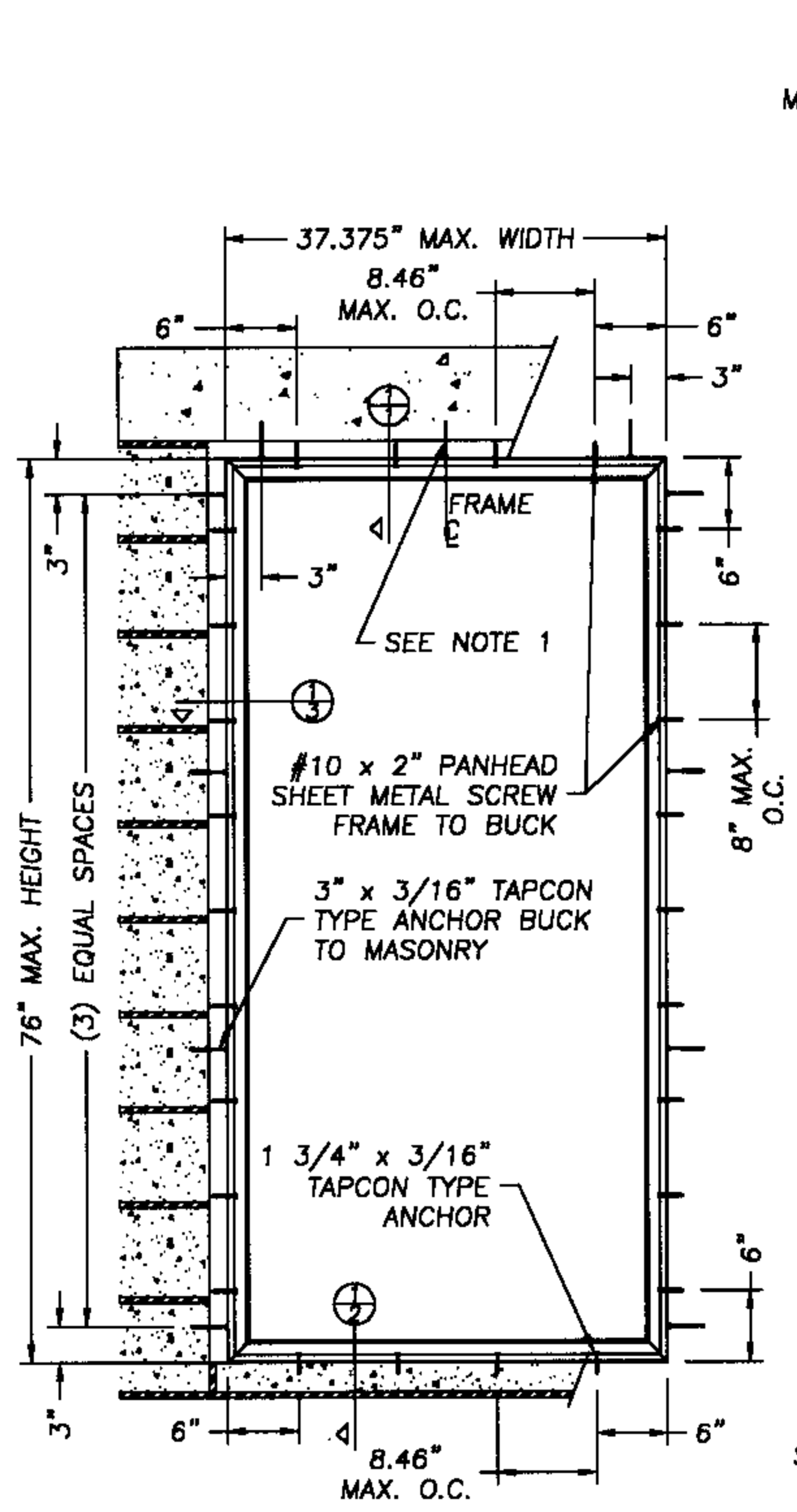
DWG. BY: WLN

CHK. BY: RW

DRAWING NO.:

GX-102M-OC

SHEET 2 OF 5



- NOTE:**
1. When installing a window that is 36" or less in overall width, eliminate the installation of this tapcon.
 2. Adjust Tapcon anchor locations, if necessary, to maintain a minimum 2.0" clearance from mortar joints.

[Handwritten Signature]

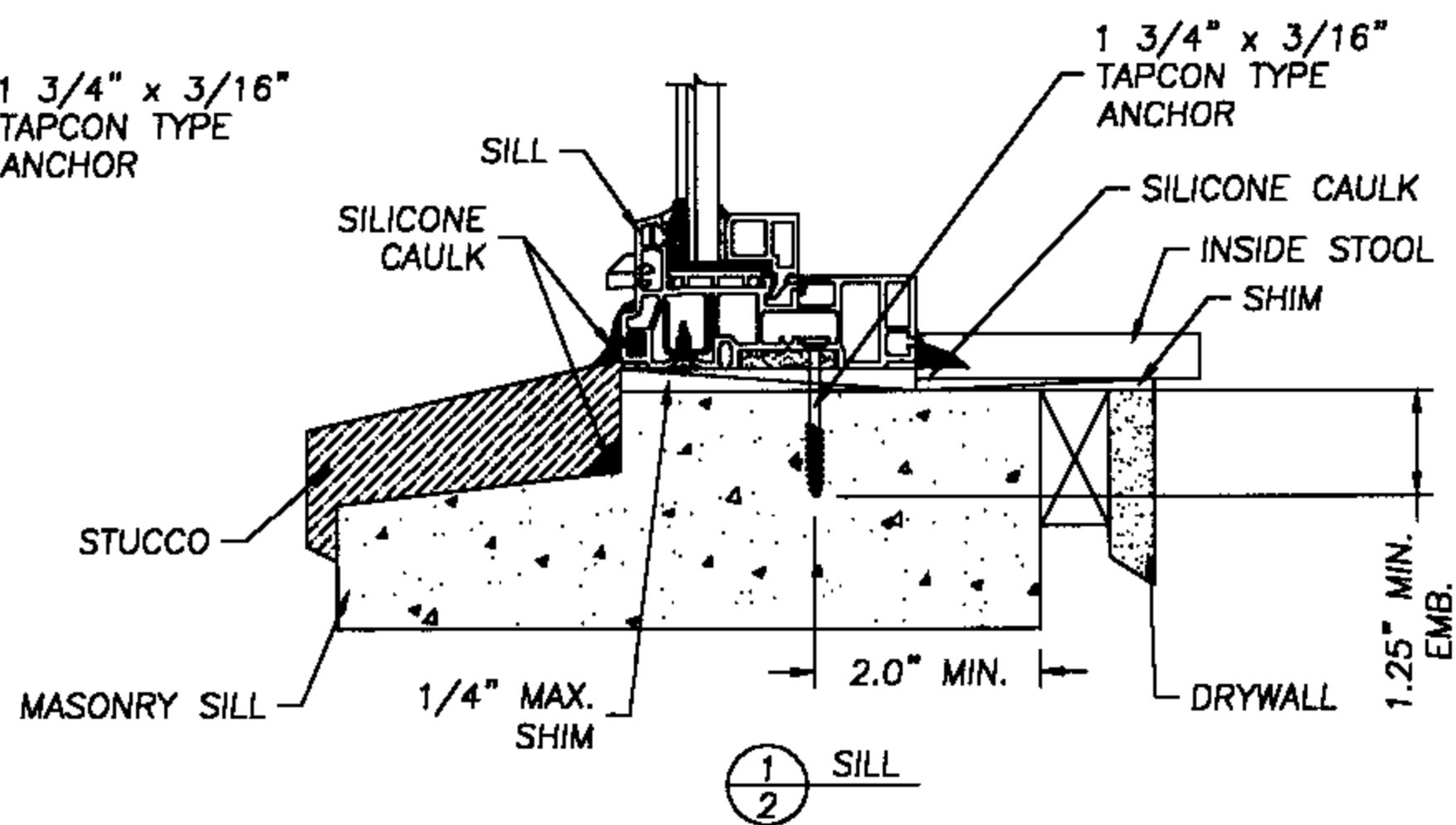
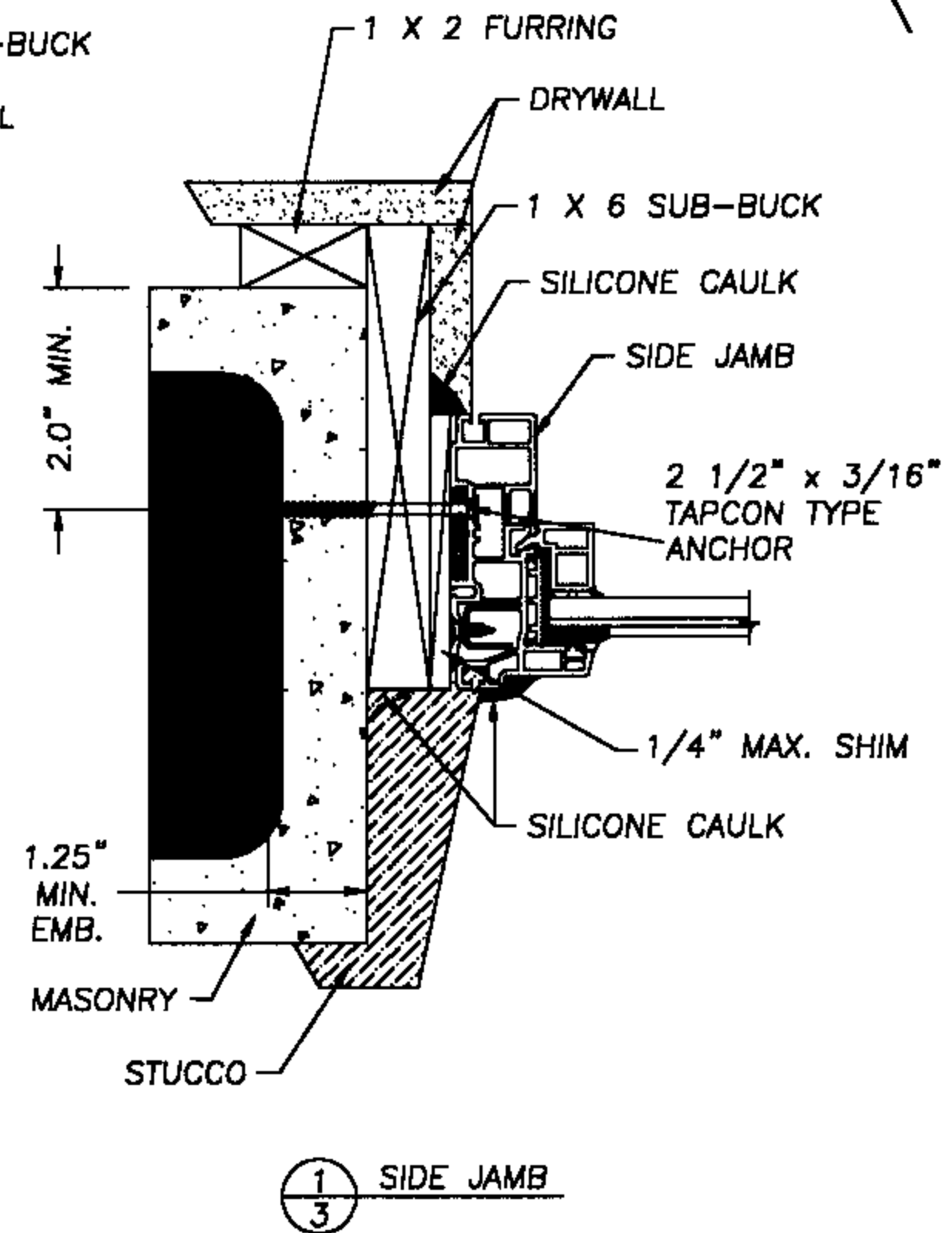
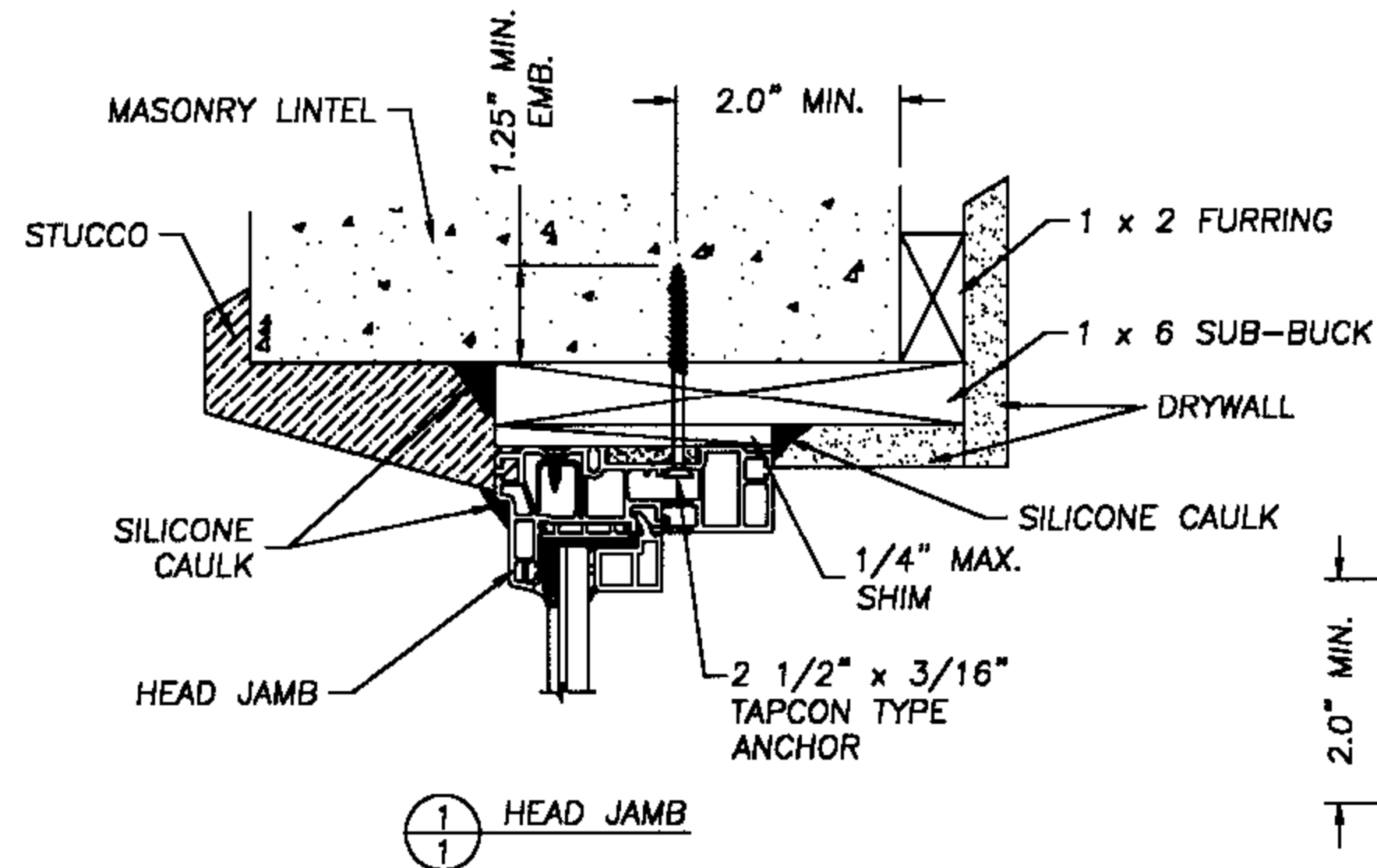
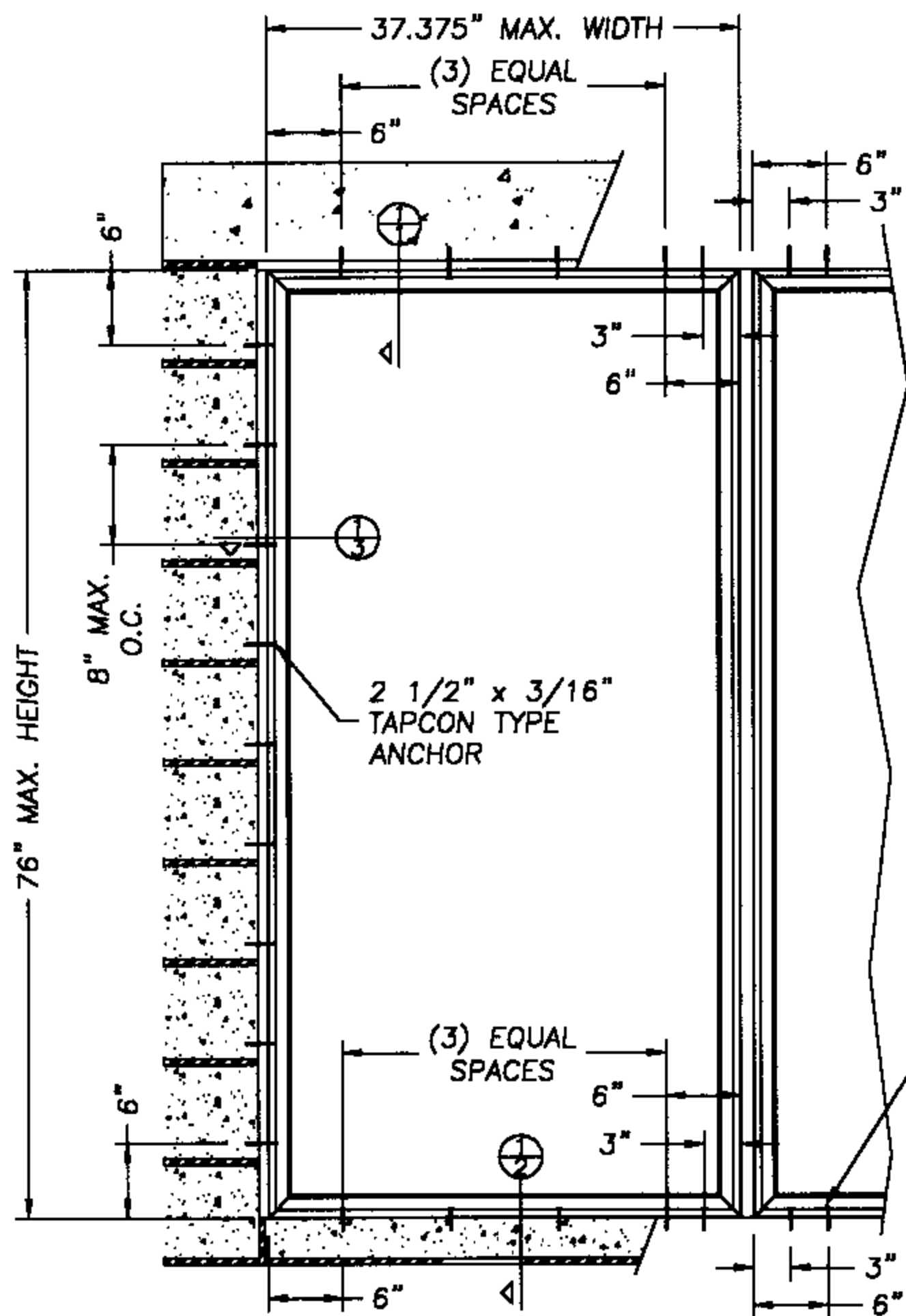
JULY 15, 2002
Lyndon F. Schmidt
Florida P. E. No. 43409
19506 French Lace Drive
Lutz, FL 33558

GALAXY Window & Door, Inc.
1900 N. Andrews Avenue
Pompano Beach, FL 33069
PH. 954.978.2400

ANCHORING CROSS SECTIONS
FOR 2X BUCK TO MASONRY
SINGLE TROPICAL FORCE
VINYL FIXED FRAME WINDOW

RW BUILDING
CONSULTANTS, INC.
813.659.9197

DATE: 6/18/02
SCALE: N.T.S.
DWG. BY: WLN
CHK. BY: RW
DRAWING NO.:
GX-102M-OC
SHEET 3 OF 5



NOTE:

Adjust Tapcon anchor locations, if necessary, to maintain a minimum 2.0" clearance from mortar joints.

JULY 15, 2002
Lyndon F. Schmidt
Florida P. E. No. 43409
19506 French Lace Drive
Lutz, FL 33558

GALAXY Window & Door, Inc.
1900 N. Andrews Avenue
Pompano Beach, FL 33069
PH. 954.978.2400

ANCHORING CROSS SECTIONS
FOR 1X BUCK TO MASONRY
MULLED TROPICAL FORCE
VINYL FIXED FRAME WINDOW

RW BUILDING
CONSULTANTS, INC.
813.659.9197

DATE: 6/18/02

SCALE: N.T.S.

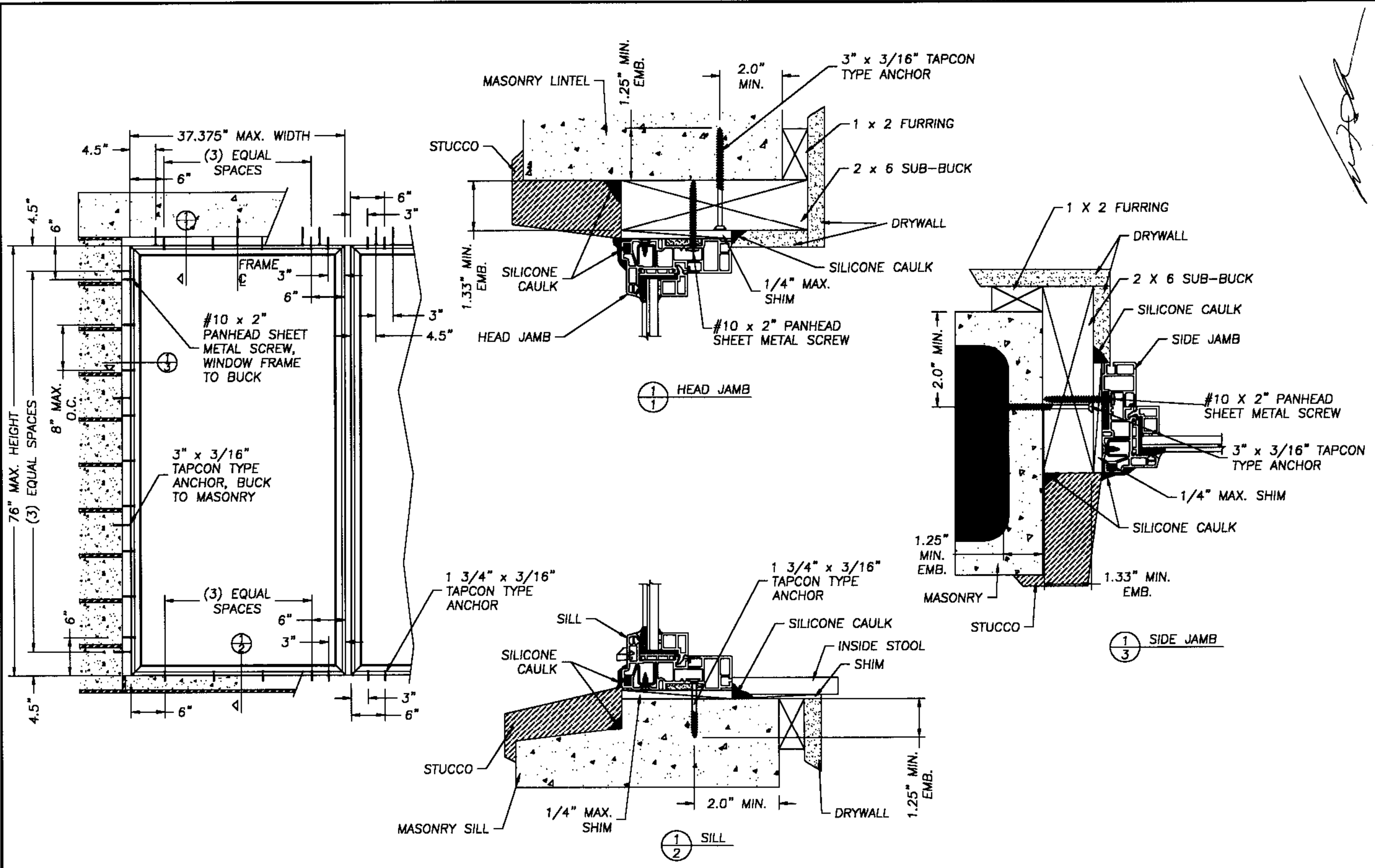
DWG. BY: WLN

CHK. BY: RW

DRAWING NO.:

GX-102M-OC

SHEET 4 OF 5



NOTE:

Adjust Tapcon anchor locations, if necessary, to maintain a minimum 2.0" clearance from mortar joints.

[Handwritten Signature]

JULY 15, 2002
 Lyndon F. Schmidt
 Florida P. E. No. 43409
 19506 French Lace Drive
 Lutz, FL 33558

GALAXY Window & Door, Inc.
 1900 N. Andrews Avenue
 Pompano Beach, FL 33069
 PH. 954.978.2400

ANCHORING CROSS SECTIONS
 FOR 2X BUCK TO MASONRY
 MULLED TROPICAL FORCE
 VINYL FIXED FRAME WINDOW

RW BUILDING
 CONSULTANTS, INC.
 813.659.9197

DATE: 6/18/02
 SCALE: N.T.S.
 DWG. BY: WLN
 CHK. BY: RW
 DRAWING NO.:
 GX-102M-OC
 SHEET 5 of 5