

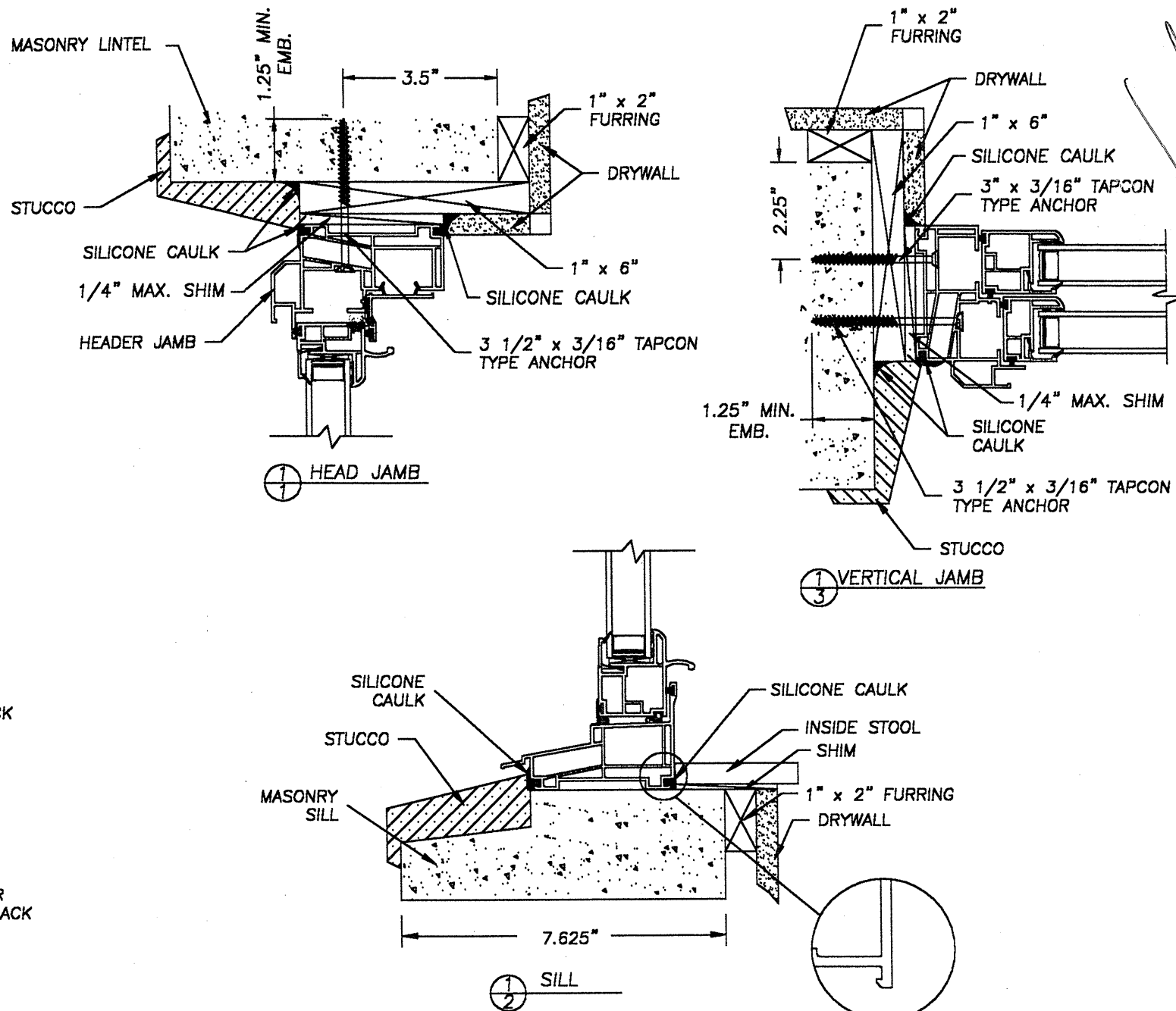
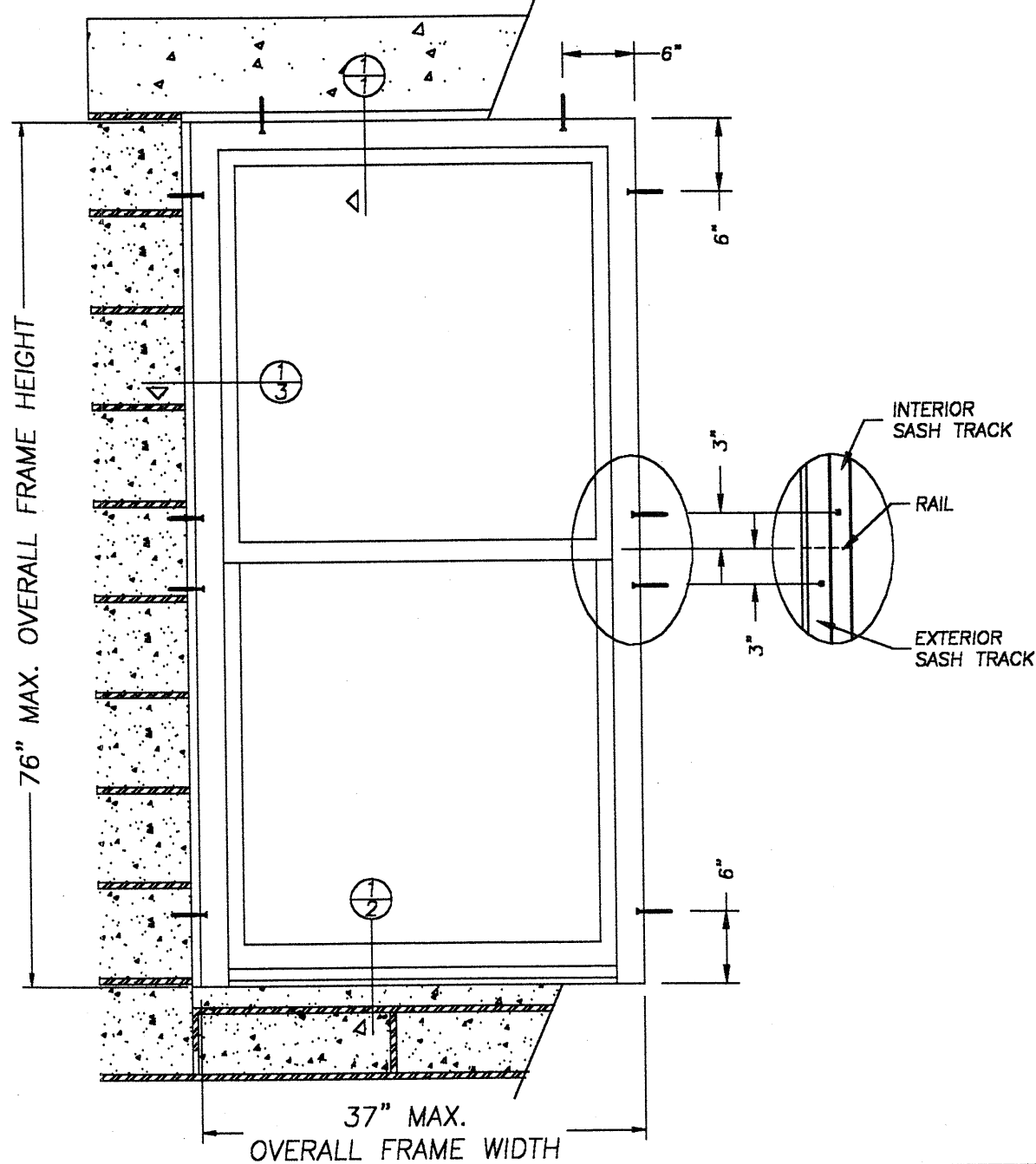
MODEL DESIGNATION: Simonton Double Hung Series 07-70 / 75-70 Vinyl Window

MAXIMUM OVERALL NOMINAL SIZE: Single up to 37" x 76"

DESIGN PRESSURE RATING: Anchors: Positive 65.0 PSF Negative 65.0 PSF
 Windows: Design Pressure Ratings Vary; See Corresponding AAMA Test Report or Dade NOA or Florida P.E. Evaluation.

USABLE CONFIGURATIONS: X
X

GENERAL DESCRIPTION: The head and side jambs are extruded PVC. The wall thickness through which the anchor screw penetrates is a minimum of 0.070".



NOTE:

1. This installation has been evaluated for use in locations adhering to the Florida Building Code and where pressure requirements as determined by ASCE 7 Minimum Design Loads for Buildings and Other Structures do not exceed the design pressure ratings listed herein.
2. For installations where the sub-buck is less than 1-1/2" (FBC section 1707.4.4 Anchorage Methods and sub-sections 1707.4.4.1 and 1707.4.4.2) Tapcon type concrete anchors must be used and the length must be such that a minimum 1-1/4" engagement of the Tapcon into the masonry wall is obtained.
3. All interior and exterior perimeter surfaces of the window must be caulked.

CARIBOU LEG SHOWN IN CROSS SECTION, OPTIONAL HOOKABOU LEG EXTENSION DETAILED.

Lyndon F. Schmidt
 Lyndon F. Schmidt
 Florida P. E. No. 43409
 19506 French Lace Drive
 Lutz, FL 33558

Simonton Windows
 One Cochrane Avenue
 Pennsboro, WV 26415
 PH. 800.426.2249

ANCHORING CROSS SECTIONS
 FOR 1X BUCK TO MASONRY
 DOUBLE HUNG
 VINYL WINDOW

RW BUILDING
 CONSULTANTS, INC.
 813.684.3831

DATE: 5/07/02
 SCALE: N.T.S.
 DWG. BY: TJH
 CHK. BY: R.W.
 DRAWING NO.: S-120

SHEET 1 OF 1