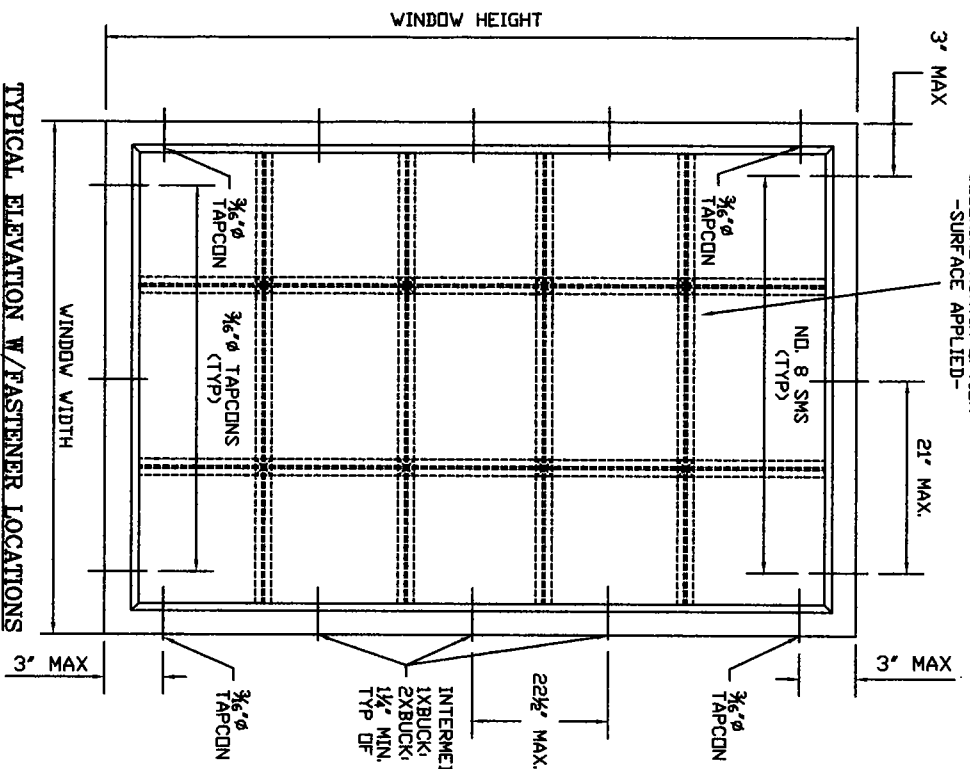


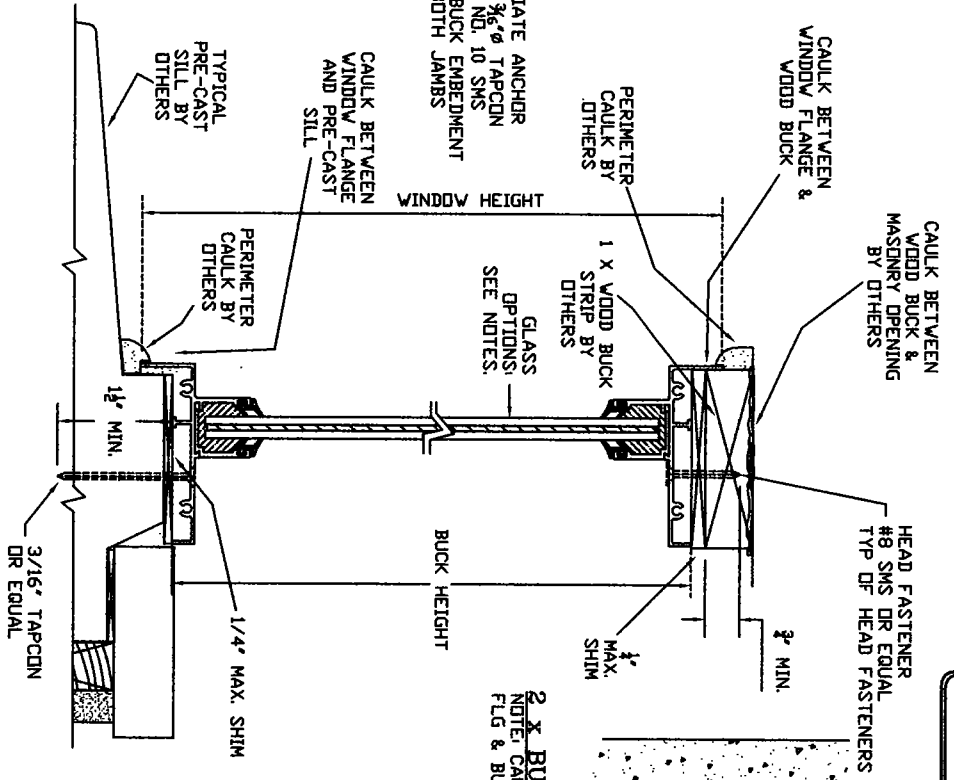
COLONIAL MOUNTN OPTION
-SURFACE APPLIED-



TYPICAL ELEVATION W/FASTENER LOCATIONS

WINDOW INSTALLATION NOTES:

1. DESIGN STRUCTURAL LOAD/RATING: 40 PSF/F-C40
2. CERTIFIED TEST REPORT: 01-0328.01
3. FRAME: 6063-T6 ALUMINUM/FLANGE TYP
4. GLASS: SINGLE PANE & LAMINATED
5. FASTENERS: 304 SS OR COATED. SEE FASTENER SCHEDULE ON SHT. 2 FOR THE AMOUNT OF REQ'D FASTENERS.
6. GLAZING: INTERIOR GLAZED WITH ADHESIVE SILICONE BACK-BEDDING AND A SNAP IN EXTRUDED ALUMINUM GLAZING BEAD. GLAZING BITE = .562" TYP
7. WINDOW SEALANTS: COMPLY W/AAMA 800-92 OR EQUIVALENT.
8. WINDOW WOOD BUCKS: STRUCTURAL INTEGRITY AND ATTACHMENT TO THE WINDOW OPENING IS THE SOLE RESPONSIBILITY OF THE OWNER, ENGINEER, AND/OR THE CONTRACTOR.
9. STATE & LOCAL BLDG. CODES; CONFORMANCE IS SOLE RESPONSIBILITY OF THE ARCHITECT, BLDG. OWNER OR CONTRACTOR.



ELEVATION SECTION (TYP)

1 X BUCK JAMB SECTION (TYP)
NOTE: CAULK BETW. BUCK & MASONRY, FLG & BUCK & WINDOW PERIMETER.

2 X BUCK JAMB SECTION (TYP)
NOTE: CAULK BETW. BUCK & MASONRY, FLG & BUCK & WINDOW PERIMETER.

PRODUCT SERIES:
6600 IMPACT PICTURE WINDOW
MASONRY INSTALLATION

SEASONSHIELD INC.
DRAWING NUMBER: **66MI**

SHEET NUMBER: **1** OF **1**

Engineering Approvals:
Douglas Preston, PE
FL License No. 53291
11531 Veltman Dr.
Riverview, FL 33569 (813)689,9418

***** Revisions *****

PE certification is for structural loads only.

Date: 03/02/02
Scale: N.T.S.
Drawn By: NGH

SEASONSHIELD
INCORPORATED

Douglas Preston
3-24-3