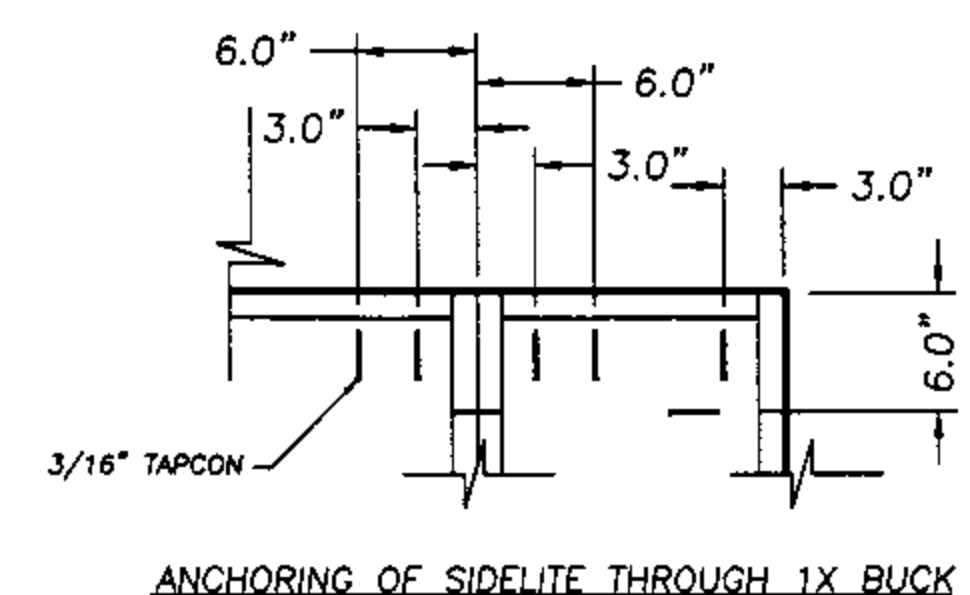
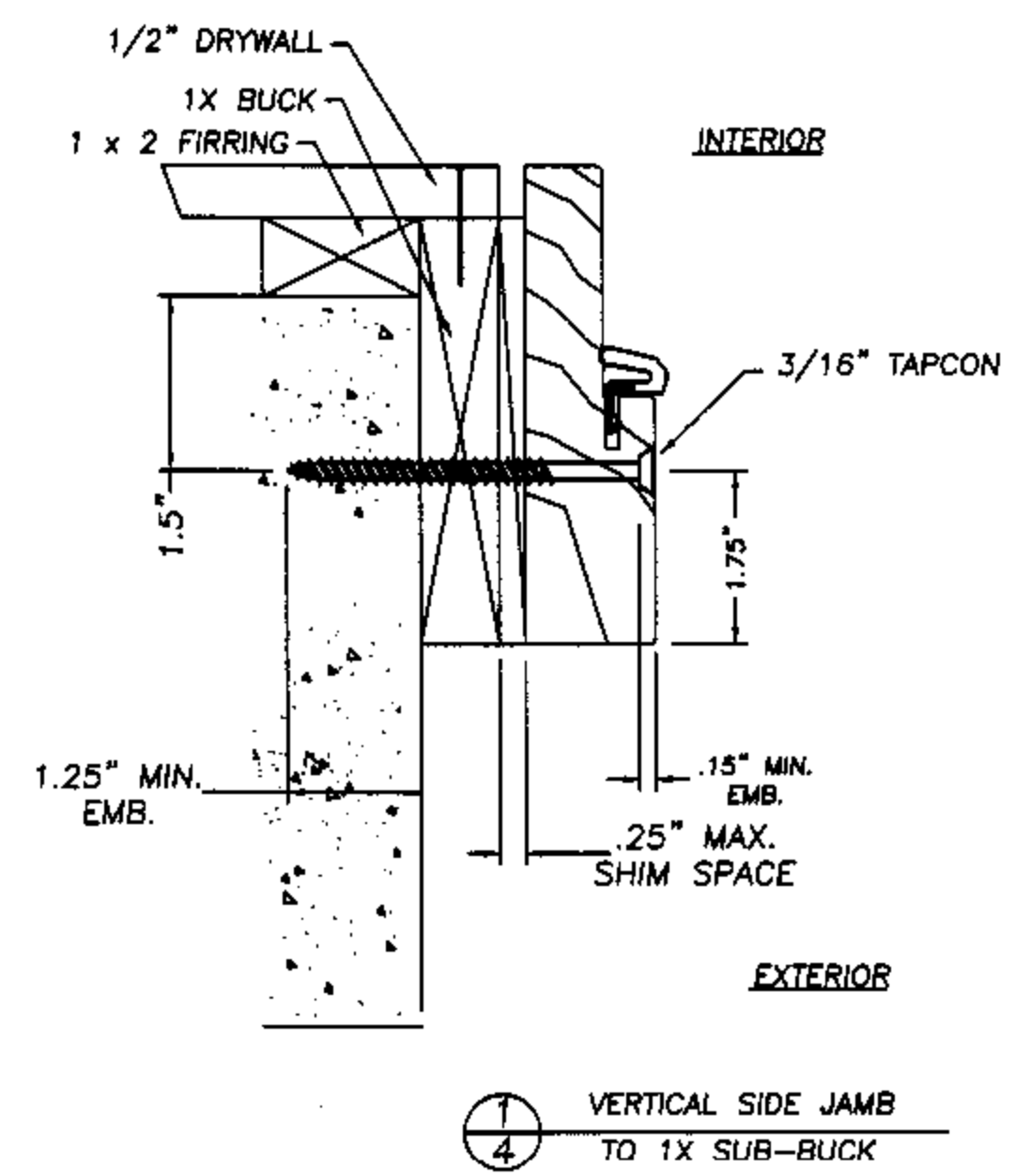
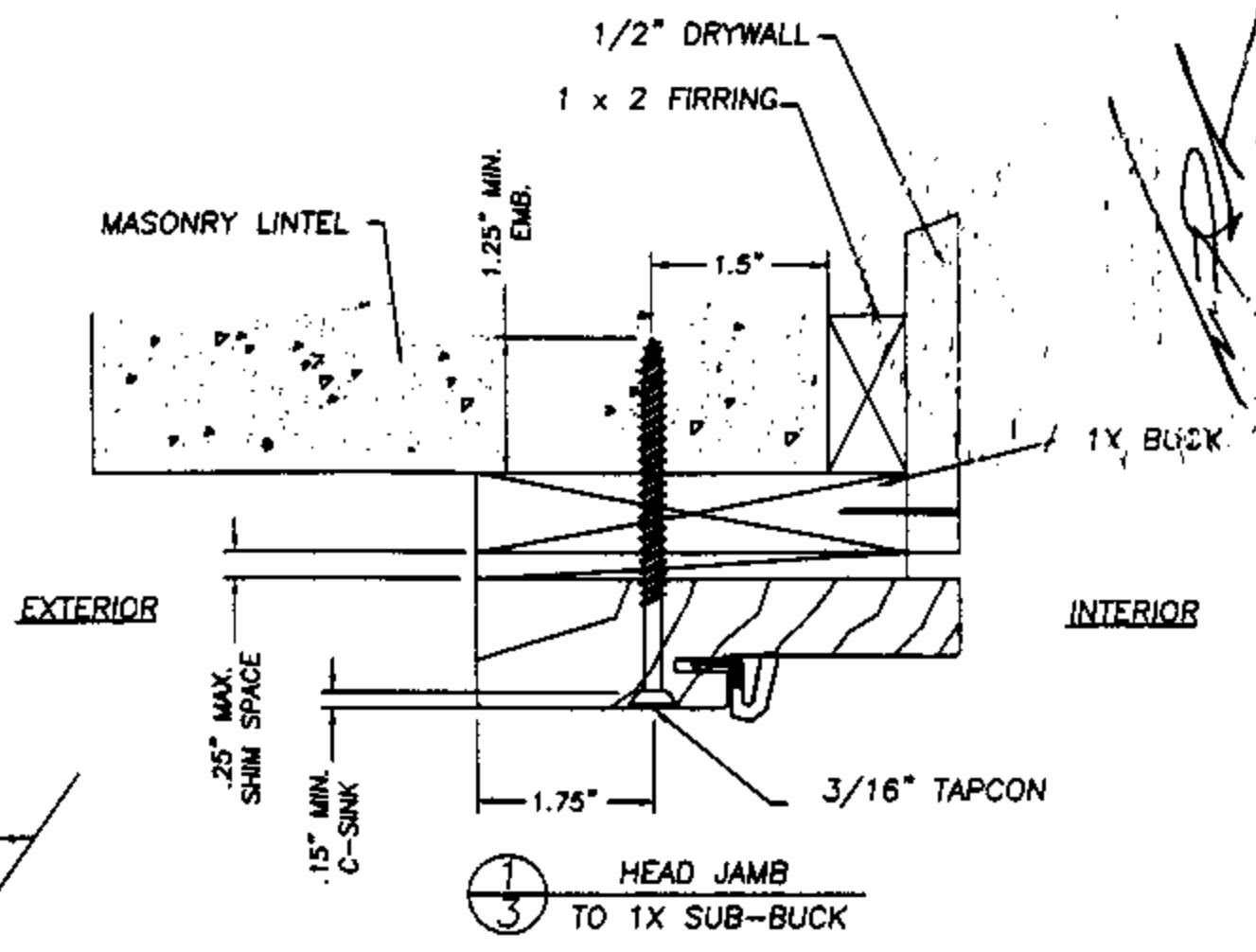
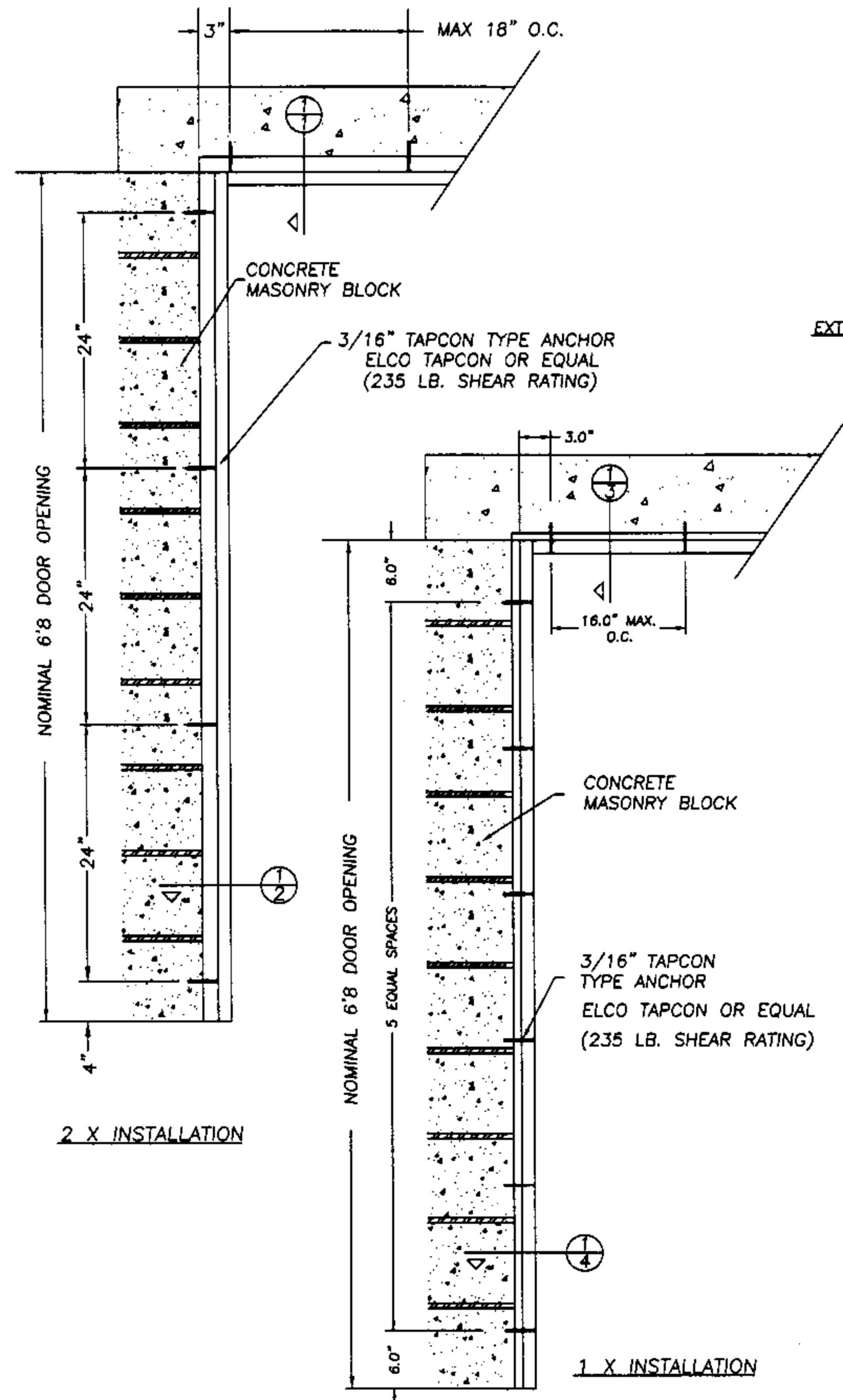


NOTE:  
A minimum clearance of 2.0" for all anchoring screws to mortar joints must be maintained.



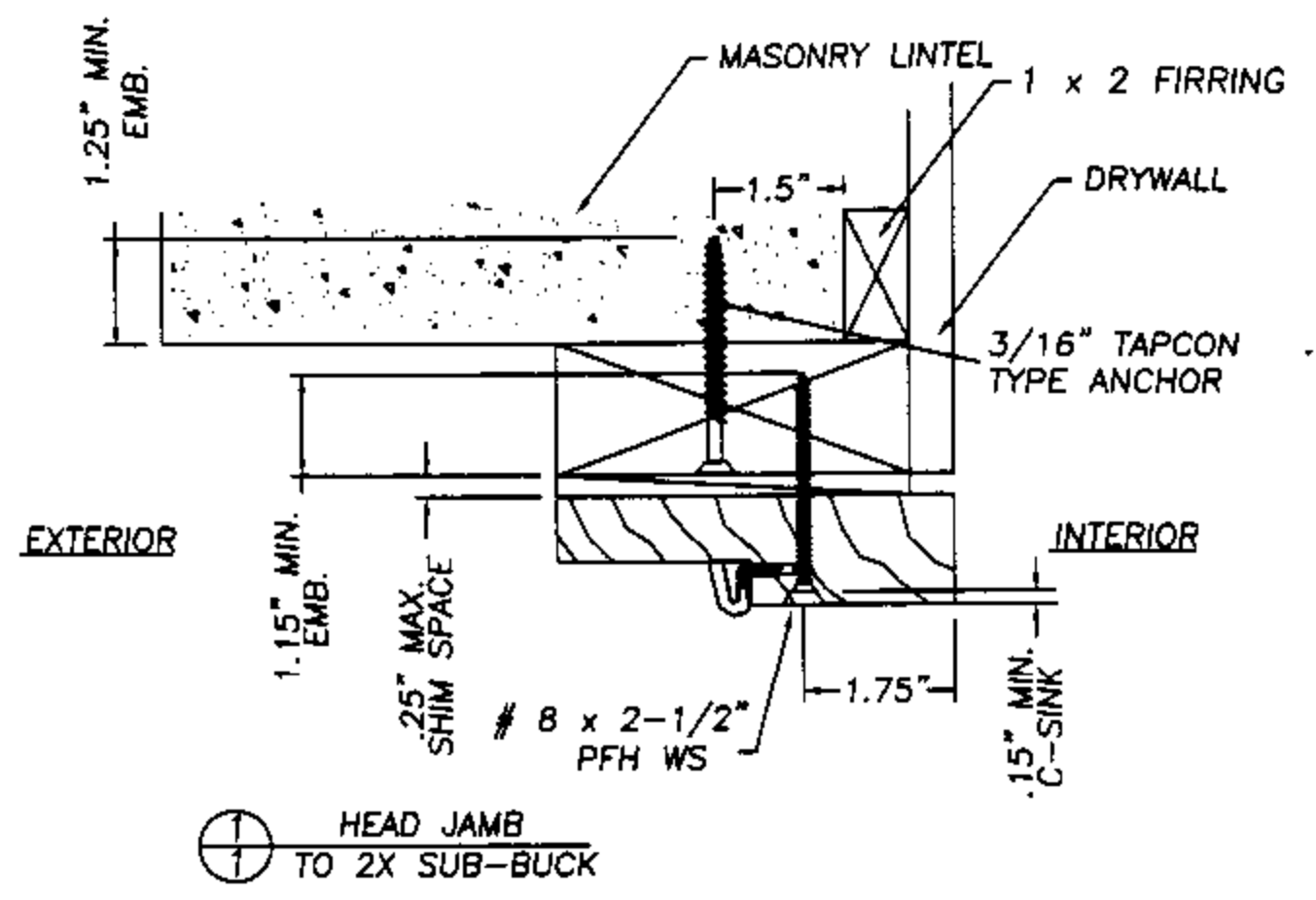
JUNE 28, 2002  
Lyndon F. Schmitt  
Florida P. E. No. 43409  
19506 French Lace Drive  
Lutz, FL 33558

JELD-WEN, INC.  
31725 HIGHWAY 97 NORTH  
CHILOQUIN, OR. 97624  
PH. 541.783.2057

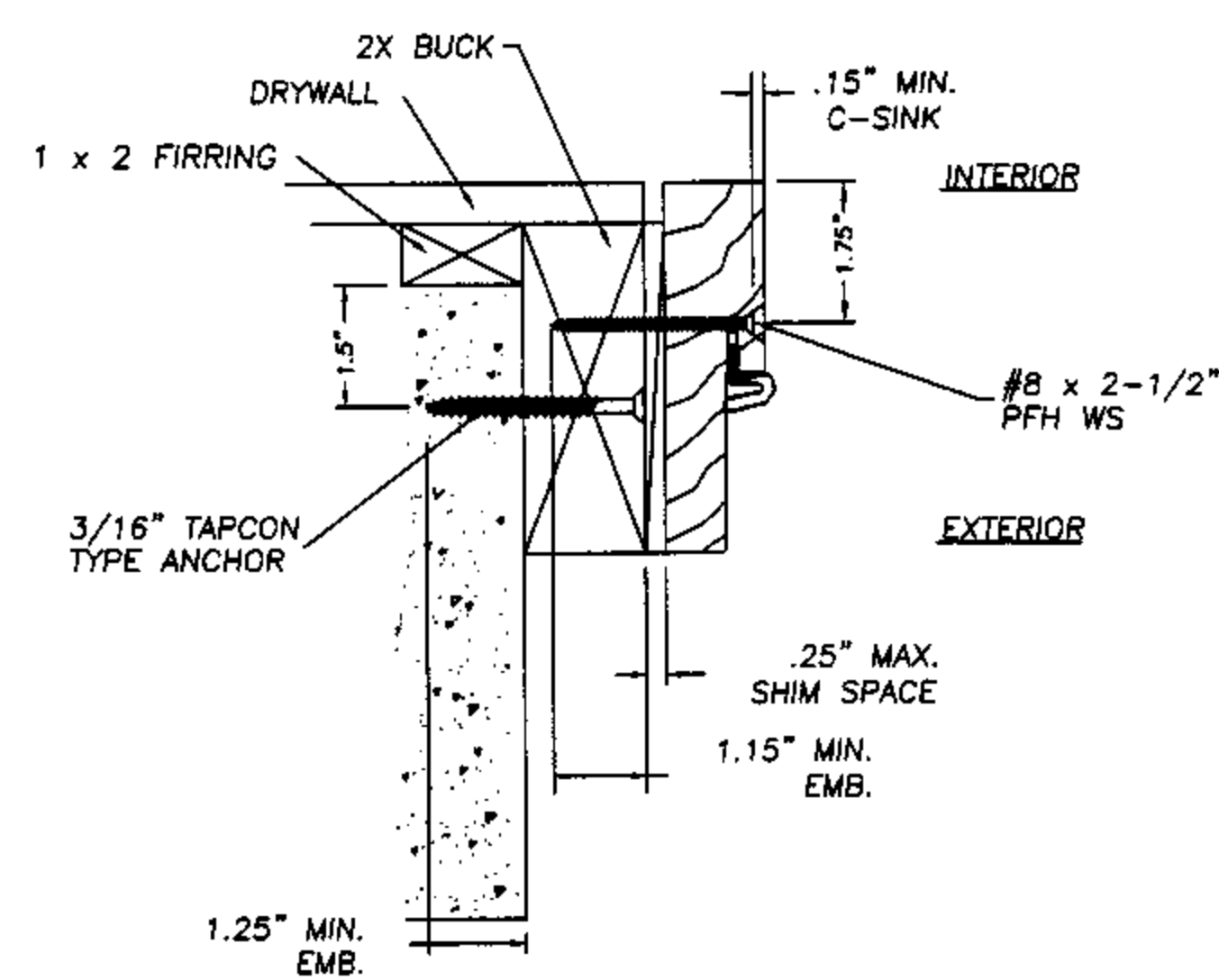
ANCHOR CROSS SECTIONS  
MASONRY 6'8"  
IN-SWING WOOD FRAME

RW BUILDING CONSULTANTS, INC.  
813.659.9197

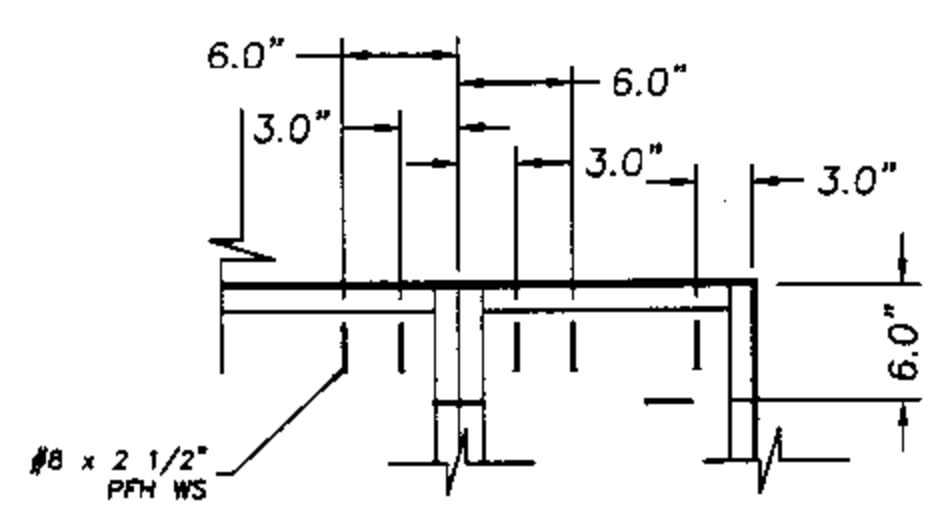
DATE: 6/12/02  
SCALE: NTS  
DWG. BY: WLN  
CHK. BY: RW  
DRAWING NO.: JW-102-OC  
SHEET 2 OF 4



⊕ HEAD JAMB TO 2X SUB-BUCK

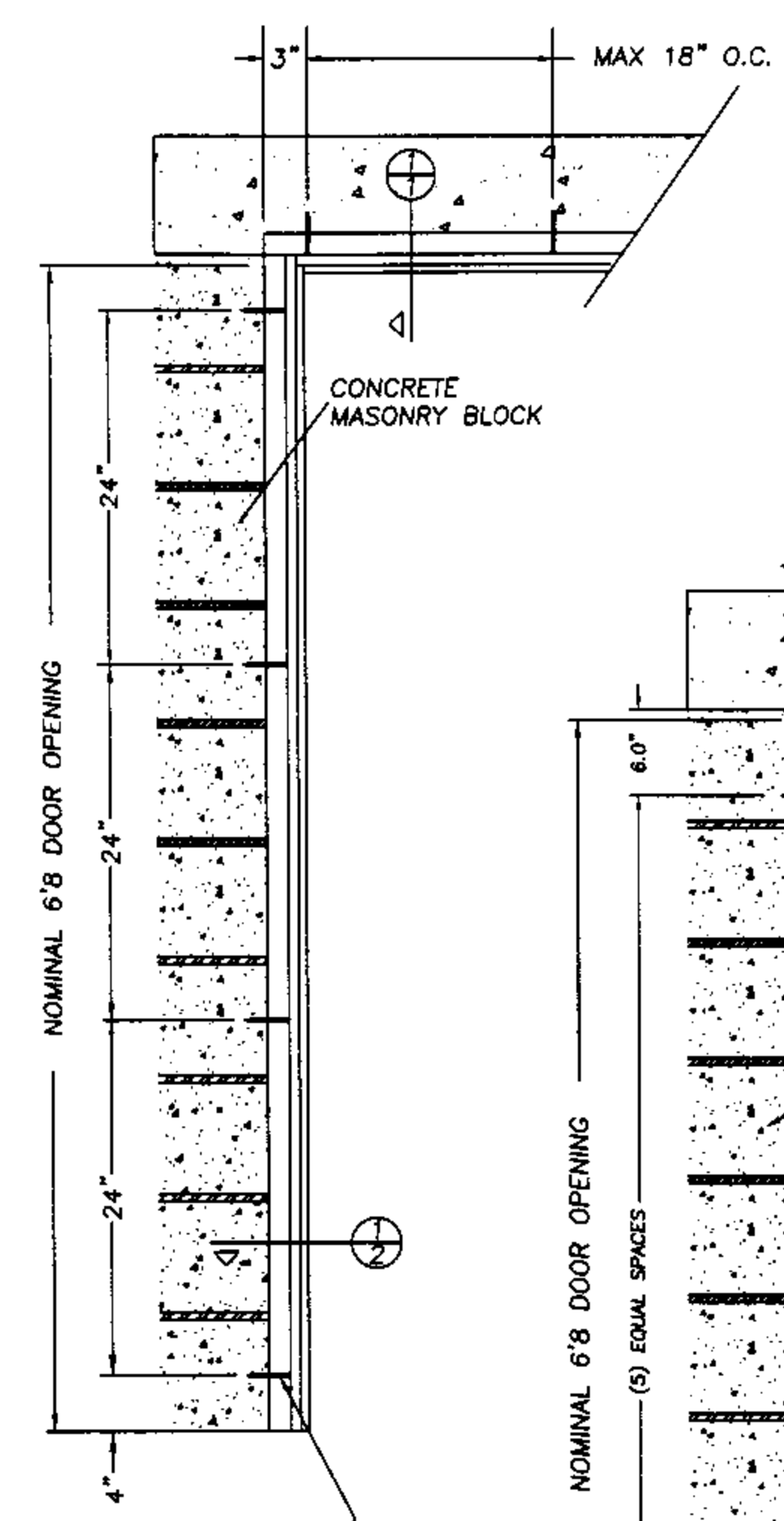


⊕ VERTICAL SIDE JAMB TO 2X SUB-BUCK

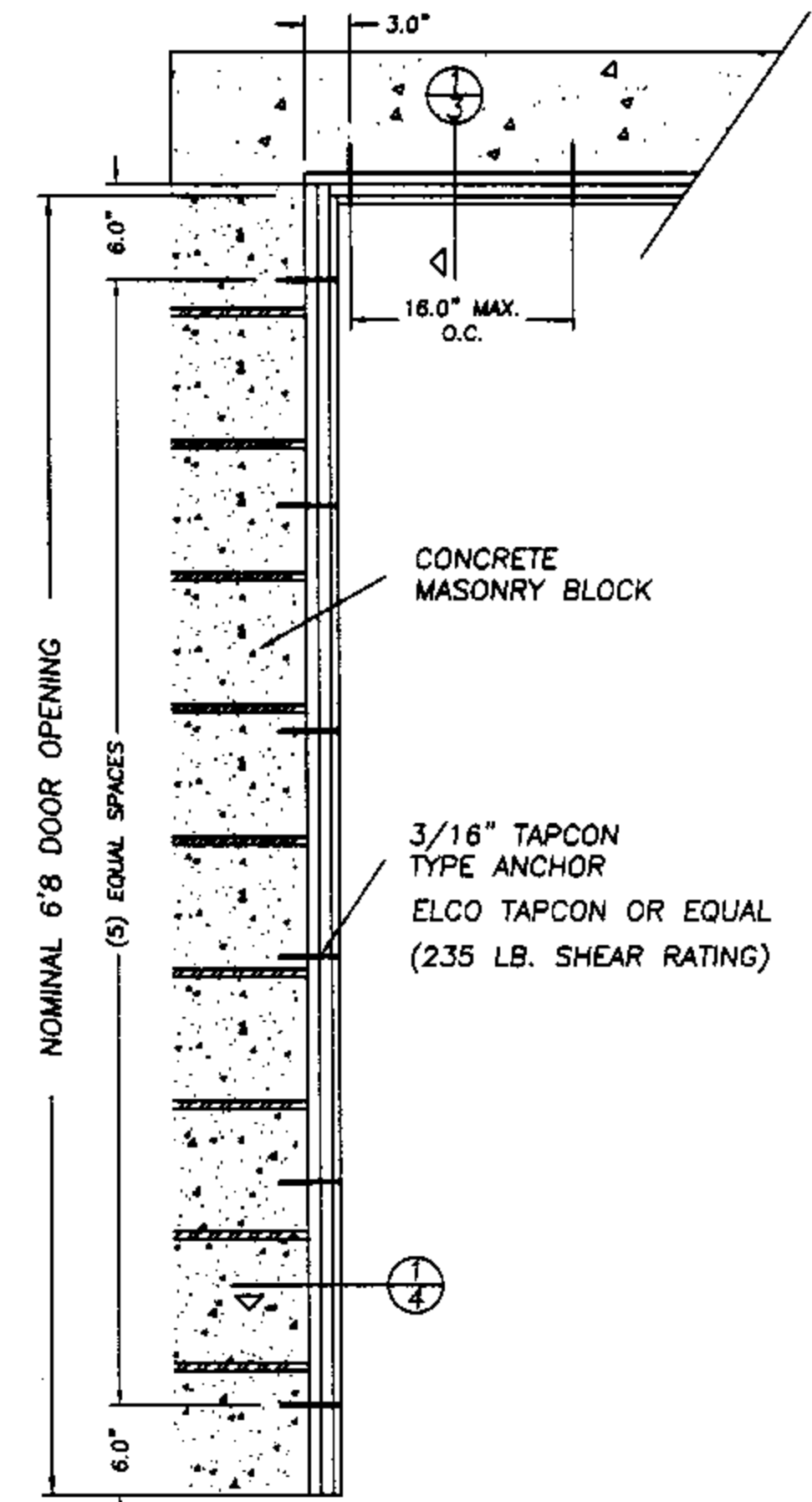


ANCHORING OF SIDELITE TO 2X BUCK

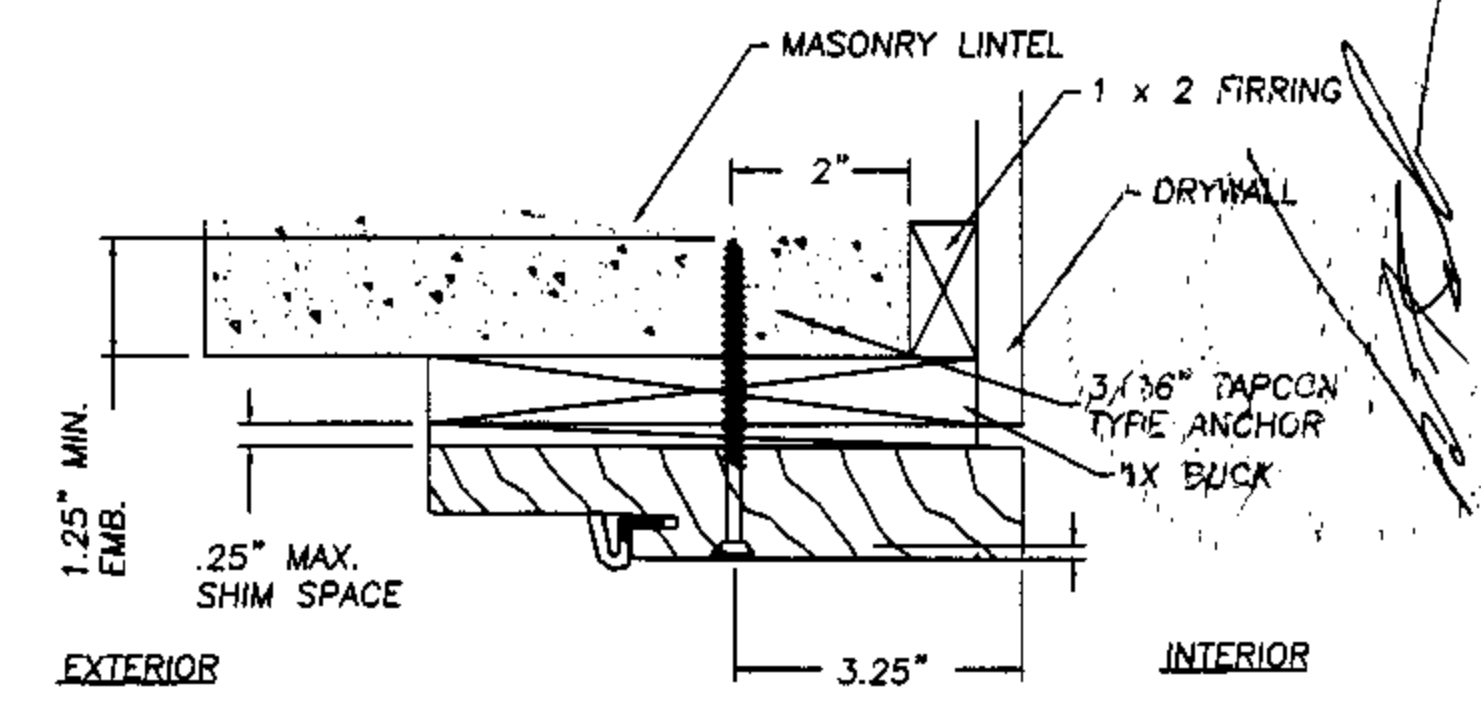
- NOTE:**
1. When using a 1X sub-buck a 6-9/16" jamb is required to allow for min. edge spacing for Tapcon type anchors.
  2. A minimum clearance of 2.0" for all anchoring screws to mortar joints must be maintained.



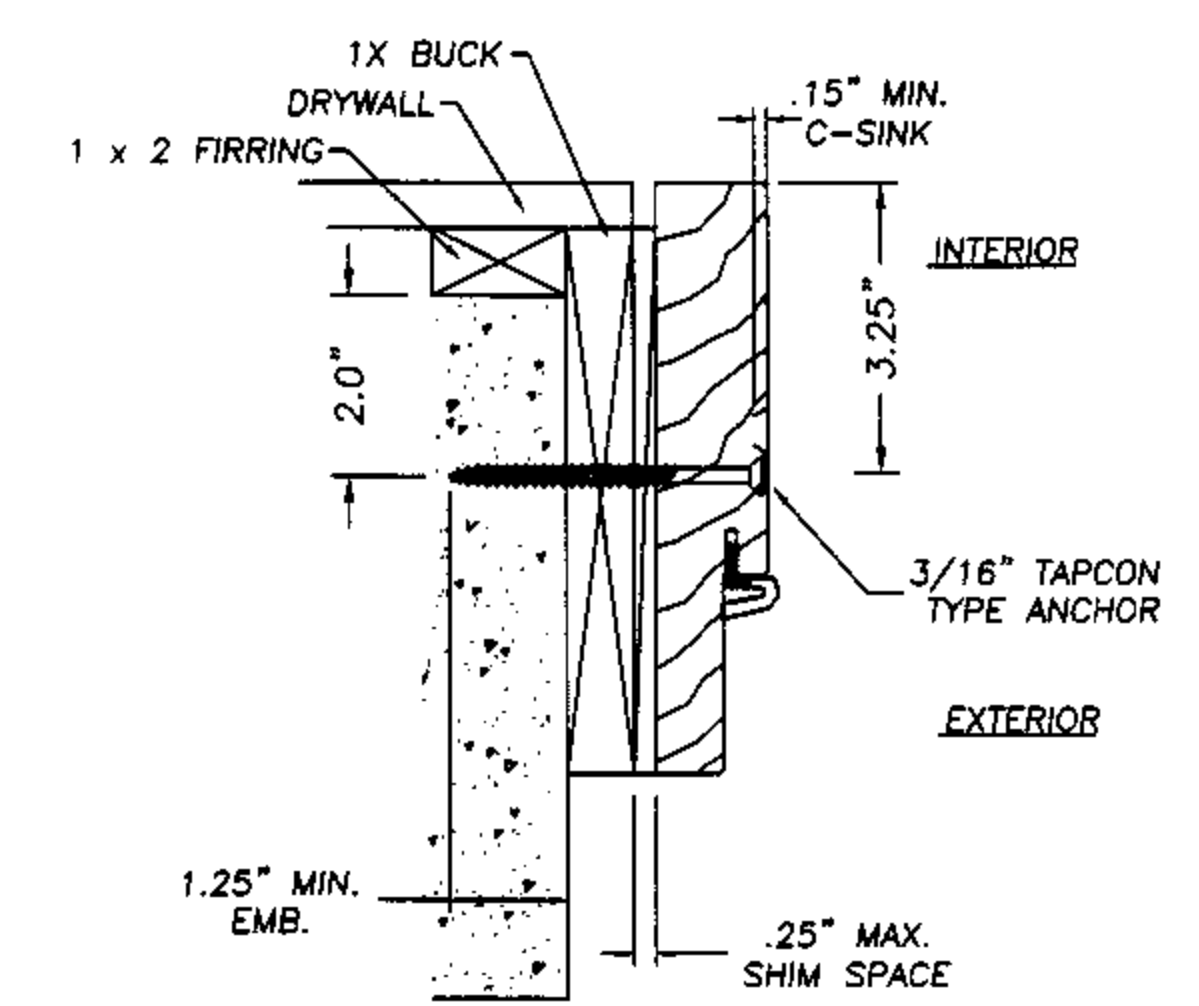
2 X INSTALLATION  
3/16" TAPCON TYPE ANCHOR  
ELCO TAPCON OR EQUAL  
(235 LB. SHEAR RATING)



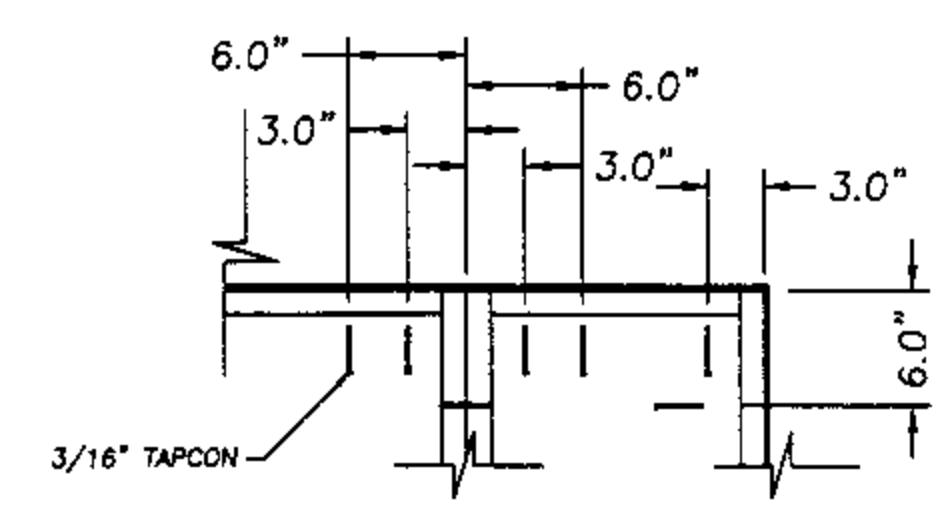
1 X INSTALLATION



⊕ HEAD JAMB TO 1X SUB-BUCK



⊕ VERTICAL SIDE JAMB TO 1X SUB-BUCK



ANCHORING OF SIDELITE THROUGH 1X BUCK

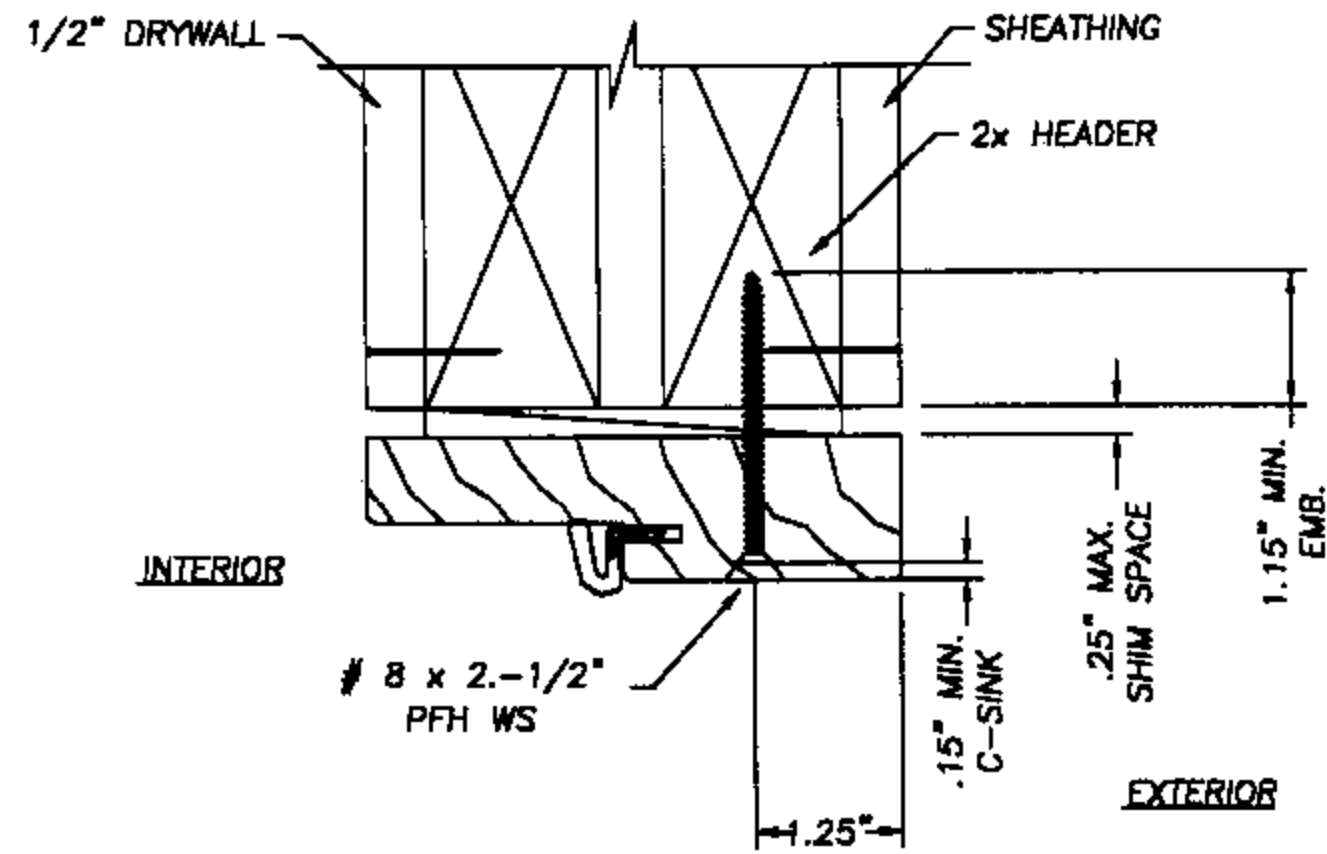
JUNE 28, 2002  
Lyndon F. Schmidt  
Florida P. E. No. 43409  
19506 French Lace Drive  
Lutz, FL 33558

JELD-WEN, INC.  
31725 HIGHWAY 97 NORTH  
CHILOQUIN, OR. 97624  
PH. 541.783.2057

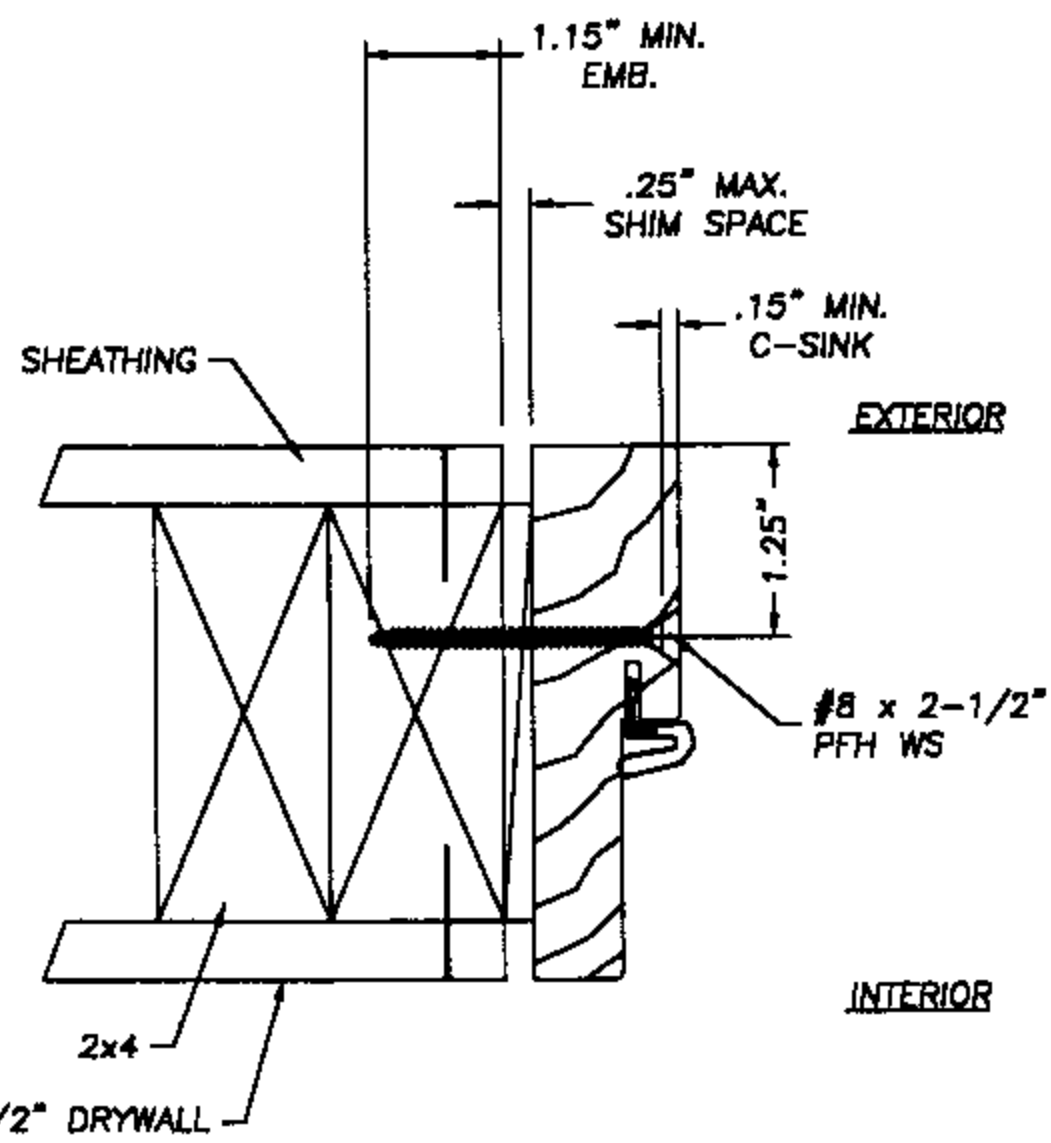
ANCHOR CROSS SECTIONS  
MASONRY 6'8  
OUT-SWING WOOD FRAME

**RW** BUILDING  
CONSULTANTS, INC.  
813.659.9197

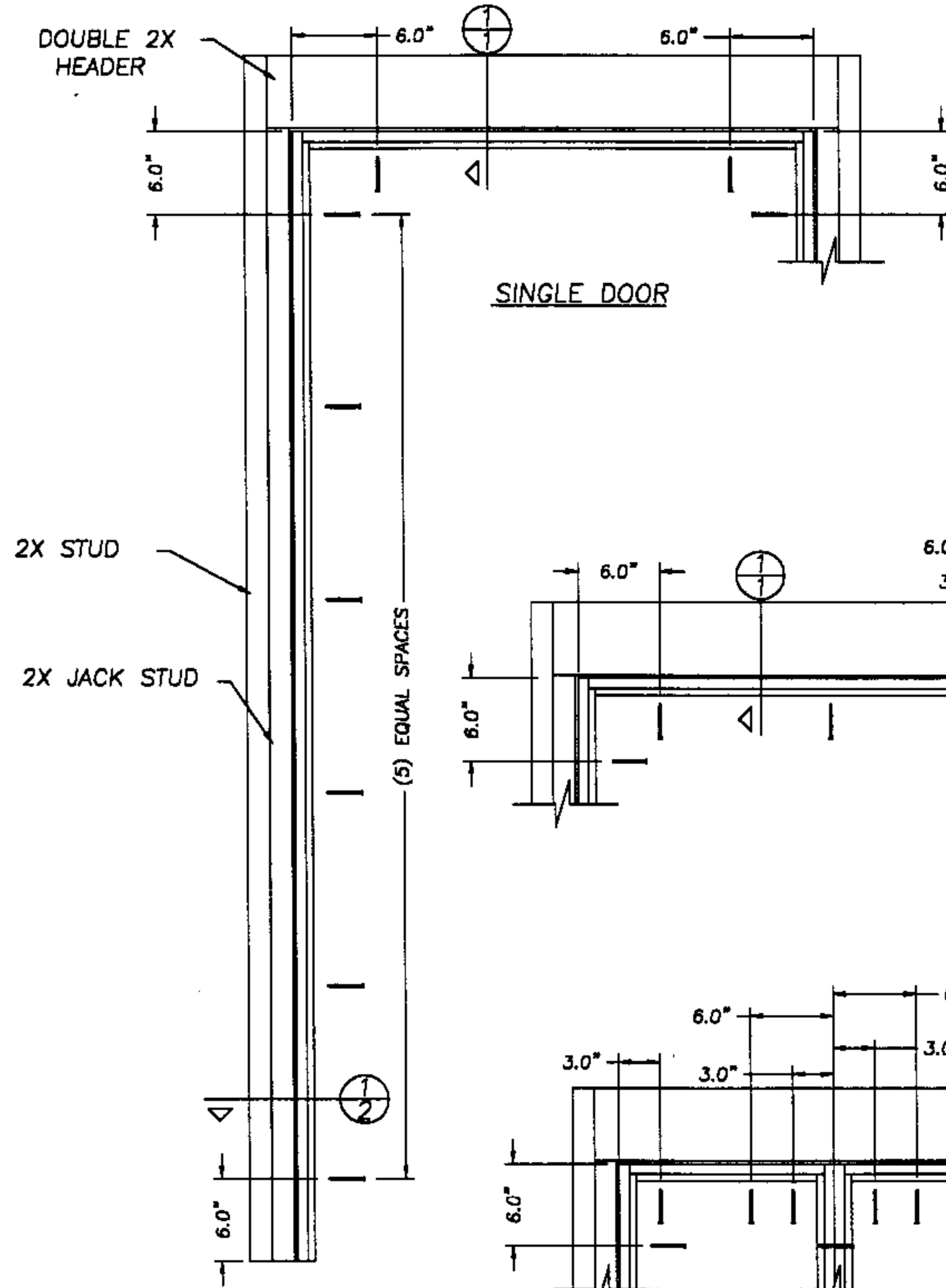
DATE: 6/12/02  
SCALE: NTS  
DWG. BY: WLN  
CHK. BY: RW  
DRAWING NO.: JW-102-OC  
SHEET 3 OF 4



HEAD JAMB

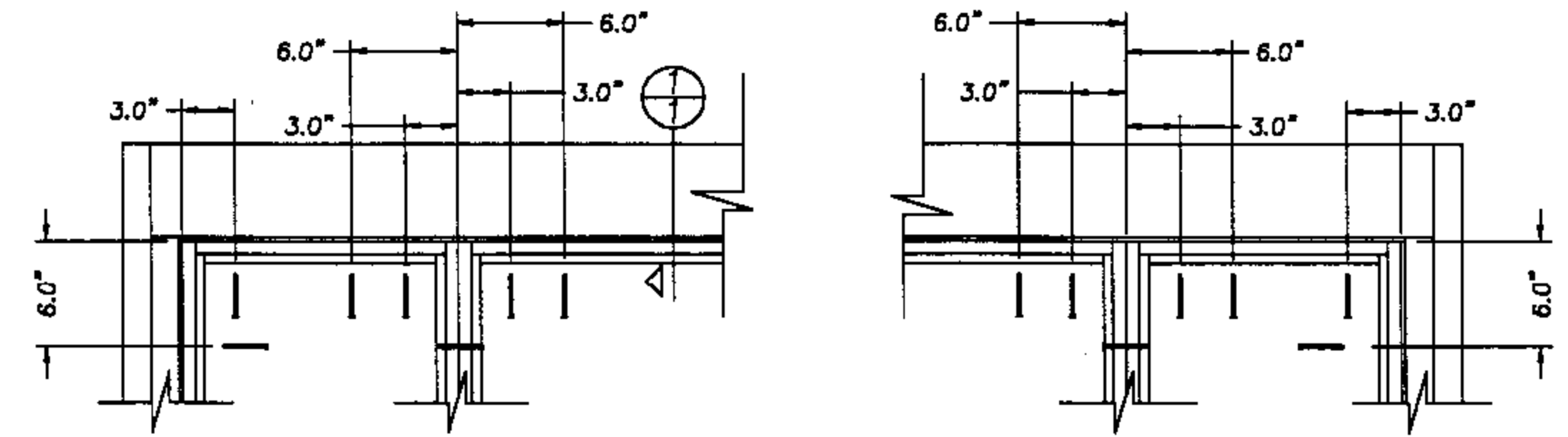


VERTICAL SIDE JAMB



SINGLE DOOR

DOUBLE DOOR



SINGLE OR DOUBLE DOOR WITH SIDELITES

JUNE 28, 2002  
 Lynton F. Schmidt  
 Florida P. E. No. 43409  
 19506 French Lace Drive  
 Lutz, FL 33558

JELD-WEN, INC.  
 31725 HIGHWAY 97 NORTH  
 CHILOQUIN, OR. 97624  
 PH. 541.783.2057

ANCHOR CROSS SECTIONS  
 WOOD OR STEEL STUD  
 IN-SWING / OUT-SWING  
 WOOD FRAME

**RW** BUILDING  
 CONSULTANTS, INC.  
 813.659.9197

DATE: 6/12/02  
 SCALE: NTS  
 DWG. BY: WLN  
 CHK. BY: RW  
 DRAWING NO.:  
 JW-102-OC  
 SHEET 4 OF 4