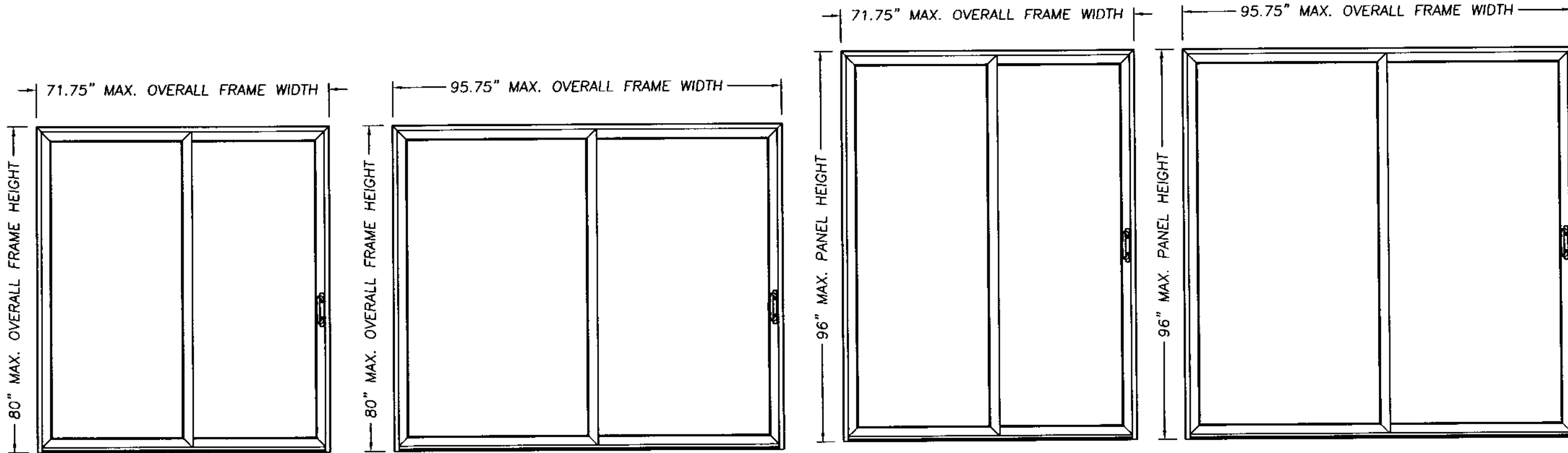


# EAGLE WINDOW & DOOR

ALUMINUM CLAD STANDARD SLIDING DOOR



0 X

DESIGN PRESSURE RATING
POS. 40.0 NEG. 40.0

0 X

DESIGN PRESSURE RATING
POS. 30.0 NEG. 30.0

0 X

DESIGN PRESSURE RATING
POS. 33.0 NEG. 33.0

0 X

DESIGN PRESSURE RATING
POS. 25.0 NEG. 25.0

**GENERAL NOTES**

1. THIS PRODUCT IS DESIGNED TO COMPLY WITH THE FLORIDA BUILDING CODE.
2. PRODUCT ANCHORS SHALL BE AS LISTED AND SPACED AS SHOWN ON DETAILS.
3. WHEN THIS PRODUCT IS USED IN AN AREA REQUIRING WINDBORNE DEBRIS PROTECTION, FLORIDA BUILDING CODE APPROVED IMPACT RESISTANT SHUTTERS ARE REQUIRED.
4. MASONRY ANCHORING FOR 1x BUCK SEE SHEET 2 OF 3.
5. MASONRY ANCHORING FOR 2x BUCK SEE SHEET 3 OF 3.

**PRODUCT DESCRIPTION**

1. ALUMINUM CLAD PONDEROSA PINE SLIDING DOOR WITH BLIND MORTISE AND TENON CORNERS.
2. THE HEAD AND SIDE JAMBS ARE ALUMINUM CLAD PONDEROSA PINE WITH MITER CORNERS.
3. THE THRESHOLD IS A SLOPED EXTRUDED FIBERGLASS SILL.
4. THE GLASS IS 3/4" OVERALL, CONSISTING OF TWO LITES OF 1/8" TEMPERED GLASS AND IS GLAZED WITH FOAM TAPE AND WOOD GLAZING STOPS.

*Lyndon F. Schmidt*  
 September 24, 2002

Lyndon F. Schmidt  
 Florida P. E. No. 43409  
 19506 French Lace Drive Lutz, FL 33558

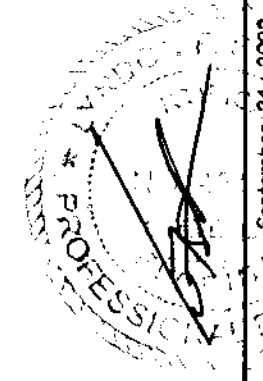
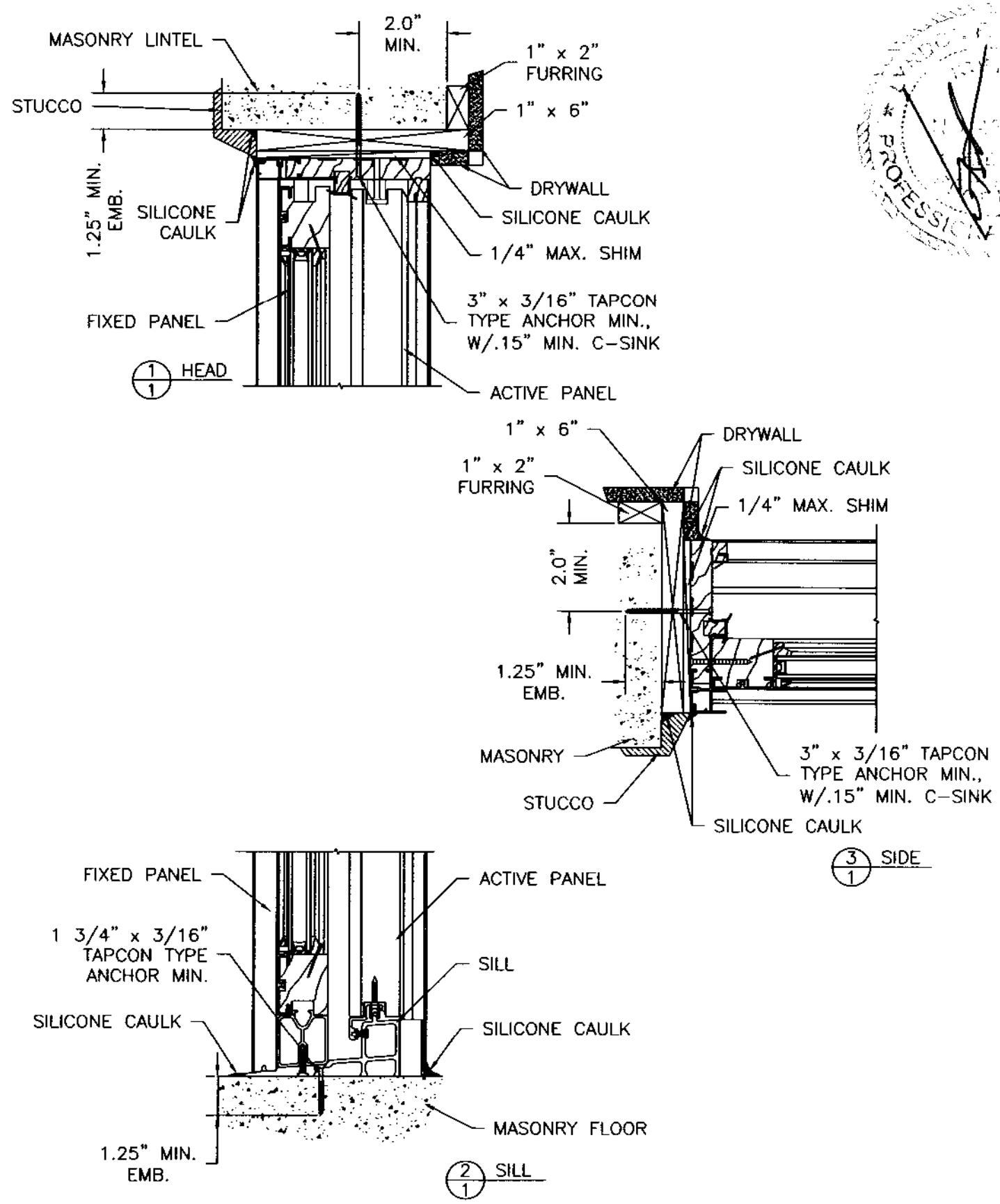
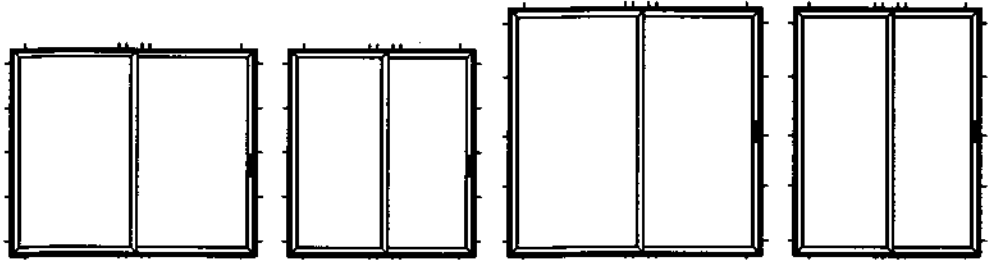
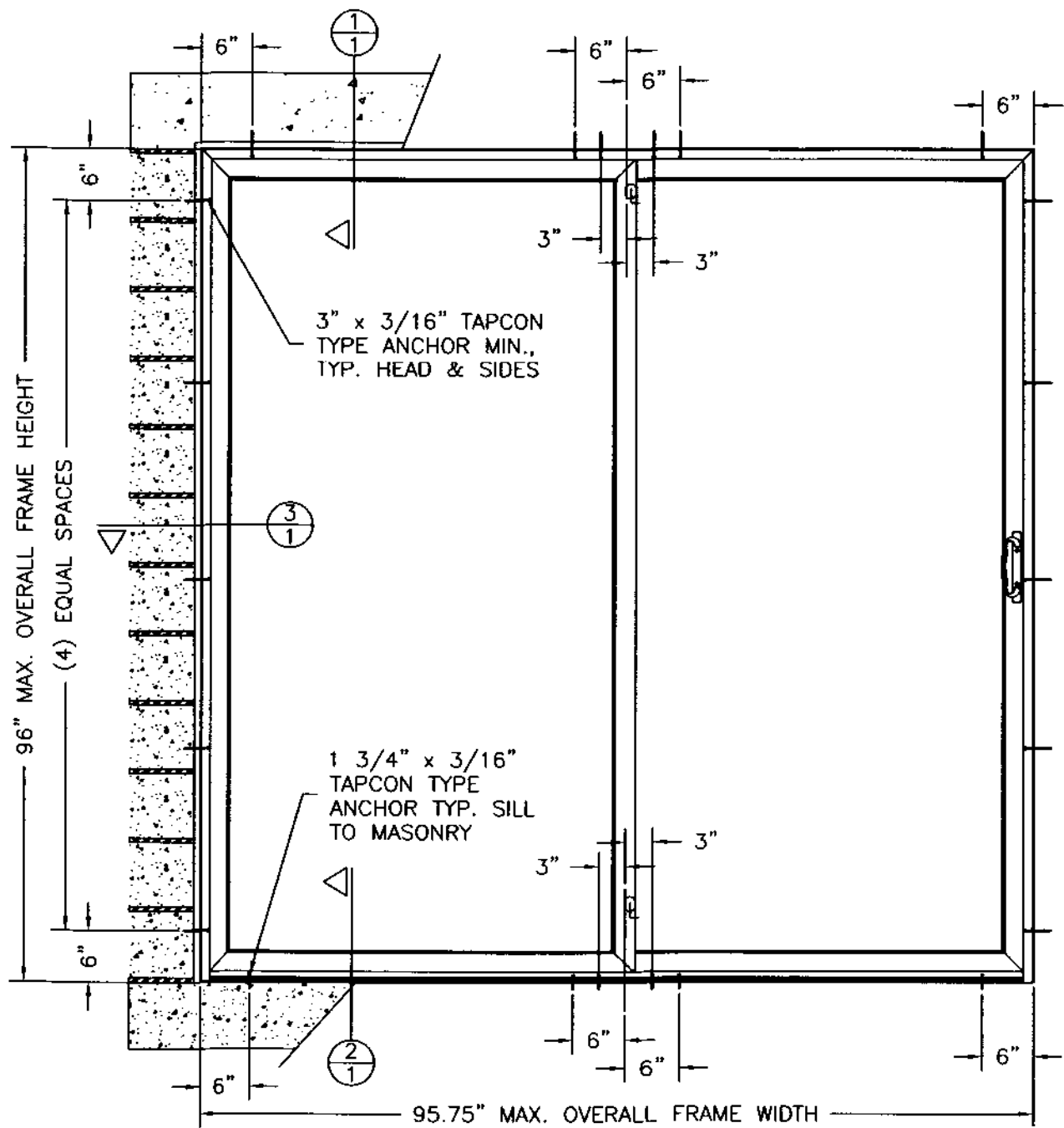
EAGLE WINDOW & DOOR, INC.  
 2045 KERPER BOULEVARD  
 DUBUQUE, IA 52004-1072  
 PH. 319.556.4408

PRODUCT:  
 GENERAL NOTES &  
 TYPICAL ELEVATIONS  
 EAGLE WINDOW & DOOR  
 PART OR ASSEMBLY:  
 ALUMINUM CLAD  
 STANDARD SLIDING DOOR

NO.	DATE	BY	REVISIONS

**RW** BUILDING  
 CONSULTANTS, INC.  
 813.659.9197

DATE: 09/23/02  
 SCALE: N.T.S.  
 DWG. BY: WLN  
 CHK. BY: RW  
 DRAWING NO.: EGL-105-OC  
 SHEET 1 OF 3



September 24, 2002  
 Lyndon F. Schmidt  
 Florida P. E. No. 43409  
 19506 French Lace Drive  
 Lutz, FL 33558

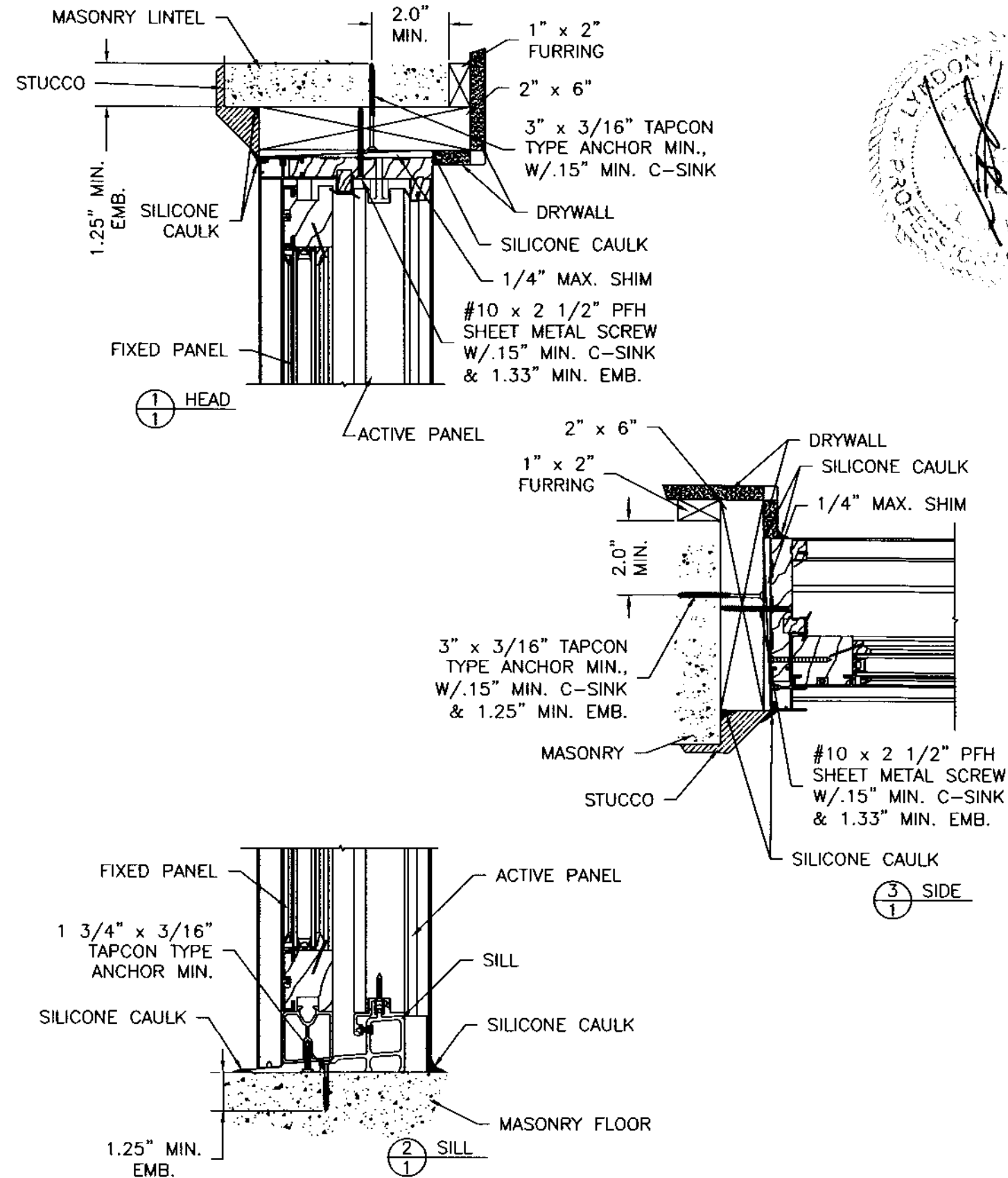
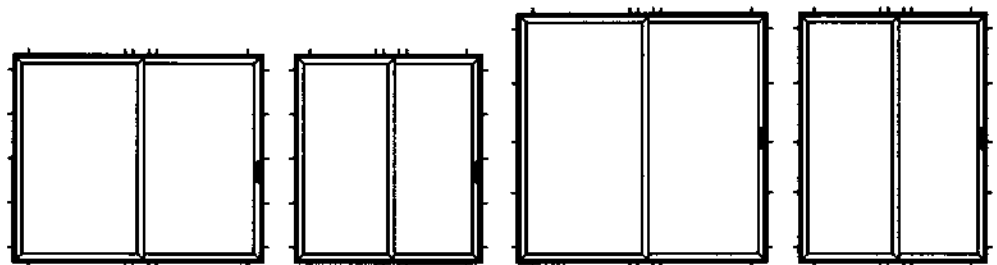
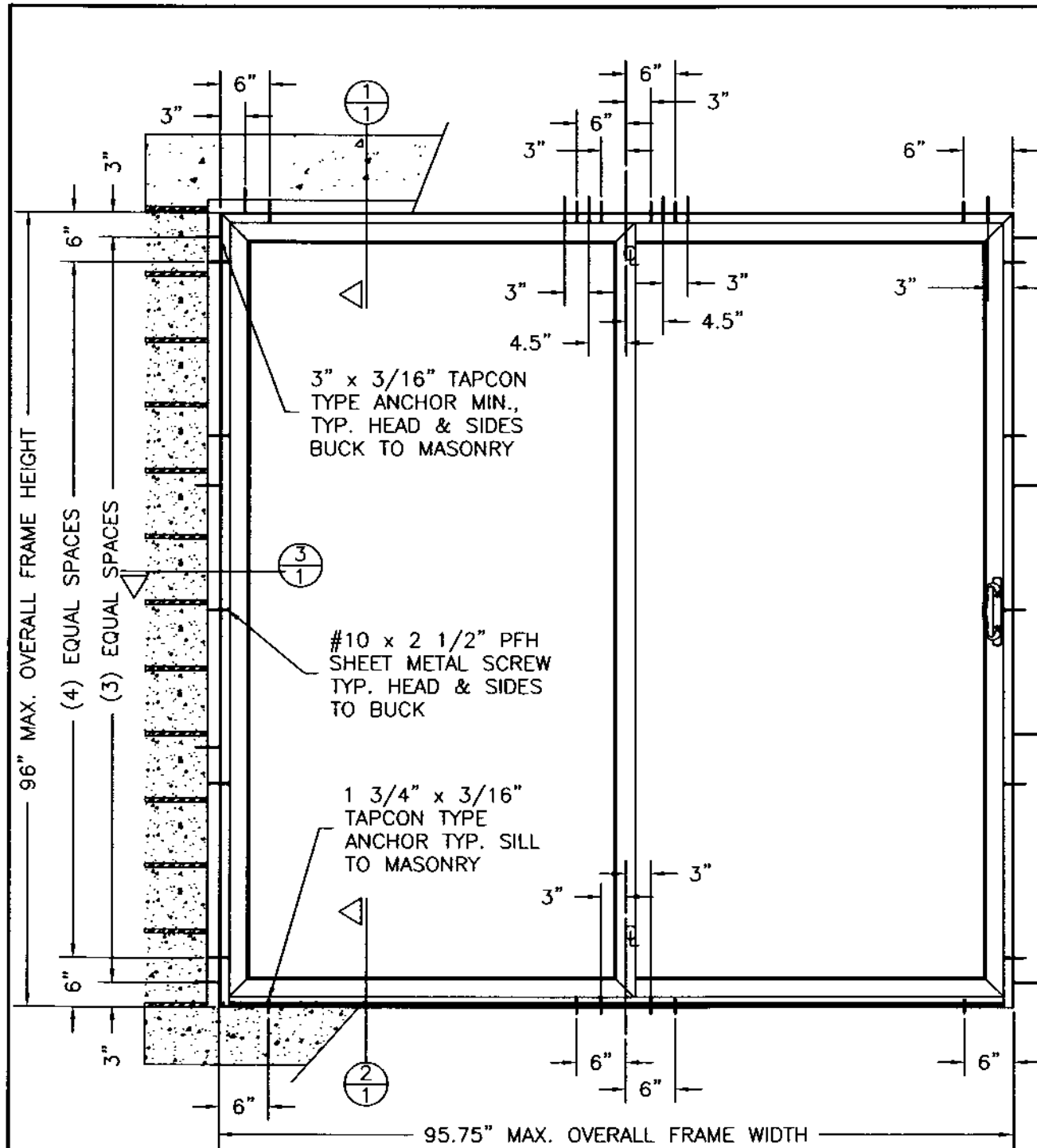
**EAGLE WINDOW & DOOR, INC.**  
 2045 KERPER BOULEVARD  
 DUBUQUE, IA 52004-1072  
 PH. 319.556.4408

ANCHORING CROSS SECTIONS  
 FOR 1X BUCK TO MASONRY  
 ALUMINUM CLAD WOOD  
 STANDARD SLIDING DOOR

**RW BUILDING CONSULTANTS, INC.**  
 813.659.9197

DATE: 09/23/02  
 SCALE: N.T.S.  
 DWG. BY: TJH  
 CHK. BY: RW  
 DRAWING NO.: EGL-105-OC  
 SHEET 2 OF 3

**NOTE:**  
 Adjust Tapcon anchor locations, if necessary, to maintain a minimum 2.0" clearance from mortar joints.



September 24, 2002  
 Lyndon F. Schmidt  
 Florida P. E. No. 43409  
 19506 French Lace Drive  
 Lutz, FL 33558

**EAGLE WINDOW & DOOR, INC.**  
 2045 KERPER BOULEVARD  
 DUBUQUE, IA 52004-1072  
 PH. 319.556.4408

ANCHORING CROSS SECTIONS  
 FOR 2X BUCK TO MASONRY  
 ALUMINUM CLAD WOOD  
 STANDARD SLIDING DOOR

**RW** BUILDING  
 CONSULTANTS, INC.  
 813.659.9197

DATE: 09/23/02  
 SCALE: N.T.S.  
 DWG. BY: TJH  
 CHK. BY: RW  
 DRAWING NO.:  
 EGL-105-OC  
 SHEET 3 OF 3

**NOTE:**  
 Adjust Tapcon anchor locations, if necessary, to maintain a minimum 2.0" clearance from mortar joints.