

CENTRAL FLORIDA B.O.A.F.

MANUFACTURER NAME:

Flesher Windows Inc.

MASTER FILE # 5

Notes:

1. Installation into a 1 x 3 buck opening to be fastened with #10 x 2" screws. Bucks must be installed (by others) to meet wind loads.
2. Wood bucks (by others) must be continuous around opening, with no gaps at corners. If cracking occurs, remove and replace prior to installation.
3. Maximum allowable shim space 3/8".
4. Apply shims at each ancor as necessary for gaps over 1/8".
5. Reference Section A, apply an approved caulk continuously around frame between flange and buck.
6. Window must be installed plumb and level, 1/4" Tol.
7. Minimum screw embedment 3/4".
8. Refer to fastener chart for fastener quantities.

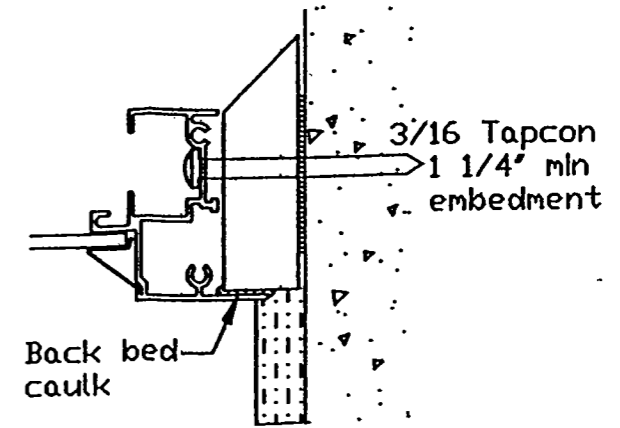
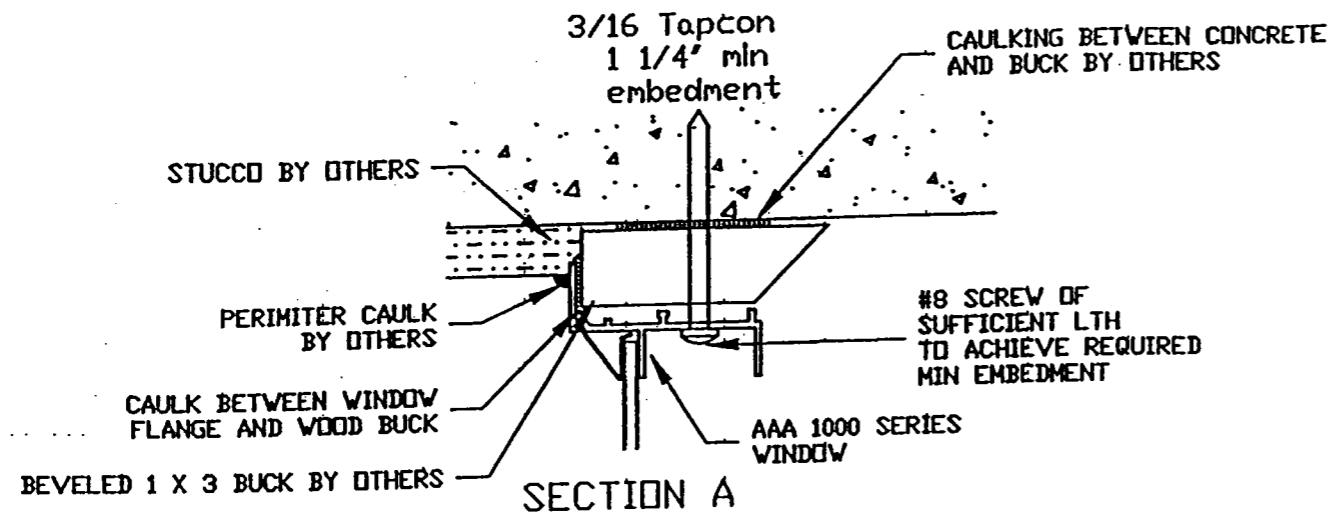
Fastener Chart

ALL FIXED WINDOW CONFIGURATIONS MUST ADHERE TO THE FOLLOWING PARAMETERS
 NO FURTHER THAN 6" FROM CORNERS
 NO FIELD SPAN GREATER THAN 20"

John Allyn
 11/14/02

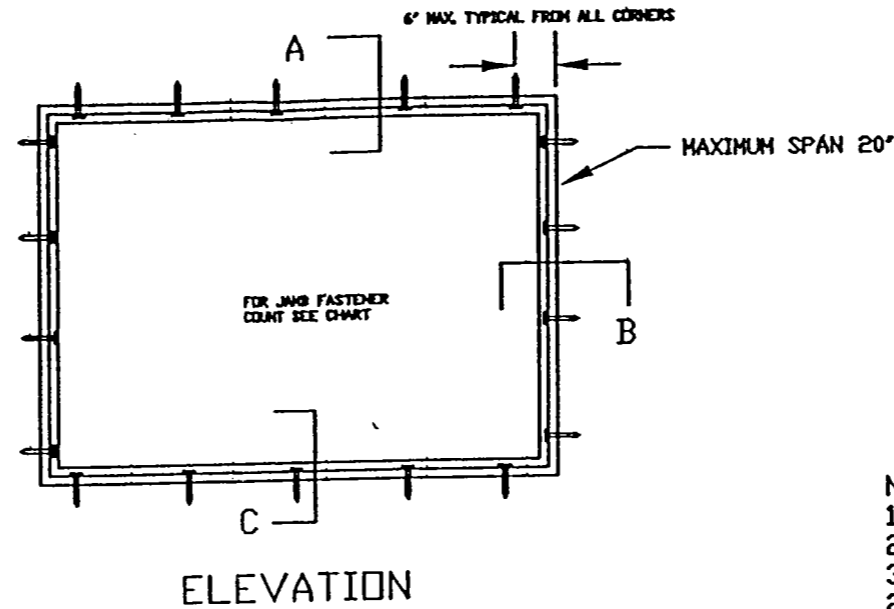
Flesher Windows Inc.		
DBA AAA Aluminum Stamping Lehigh Acres FL 33971		
1500 Series Aluminum Fixed Window Installation Detail		
DRW BY: ADG	Date: 8/15/02	Scale: NTS

11



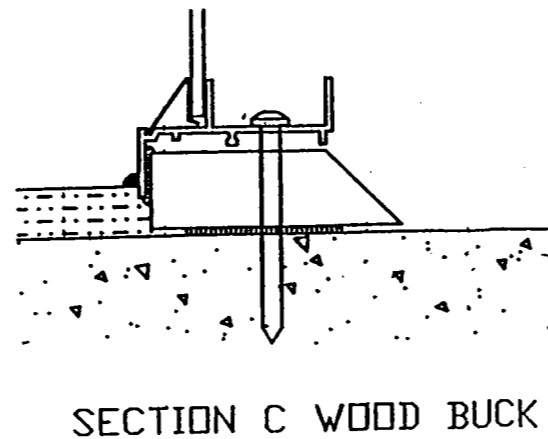
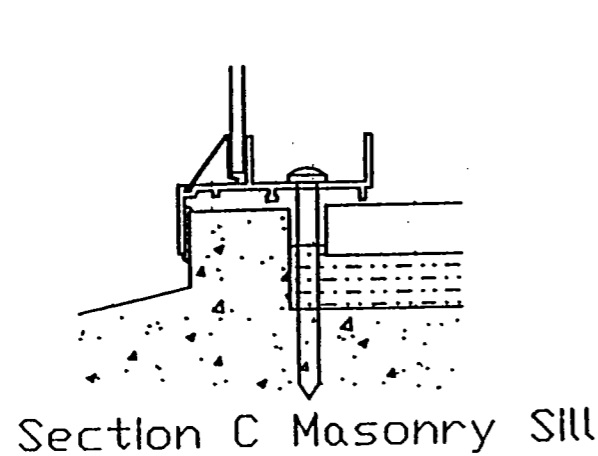
Section B

FASTENER CHART
 ALL FIXED LIGHT CONFIGURATIONS MUST ADHERE TO THE FOLLOWING PARAMETERS
 FASTENERS MUST BE WITHIN 6" FROM ANY CORNER
 NO SPAN GREATER THAN 20" IN THE HEADS AND SILLS.



CENTRAL FLORIDA B.O.A.F.
 MANUFACTURER NAME:
FLESTER WINDOW
 MASTER FILE # 4

- Notes:
1. Installation of wood bucks (by others) to be either 2x4 with #8 x 1 3/4 wood screw or 1x3 with 3/16"x2 3/4" Tapcon
 2. Wood bucks (by others) must be continuous at opening head and jambs. If cracking occurs remove and replace prior to installation.
 3. Maximum allowable shim space is 3/8".
 4. Apply shims at each ancor as necessary for spaces over 1/8".
 5. Reference section A, apply an approved caulk between window flange and buck & sill.
 6. Window must be installed plumb and level, 1/4" Tol.
 7. Minimum screw embedment for 2x4 bucks 1 1/4"
 8. Minimum Tapcon embedment for 1x3 bucks 1 1/4"
 9. Refer to fastener chart for fastener quantities



John Flynn
 11/6/02

FLESHER WINDOWS INC		
DBA AAA ALUMINUM STAMPING LEHIGH ACRES FL		
1000 SERIES ALUMINUM FIXED WINDOW		
INSTALLATION DETAILS		
DWG BY: ADG	DATE: 8/06/2002	SCALE: NTS