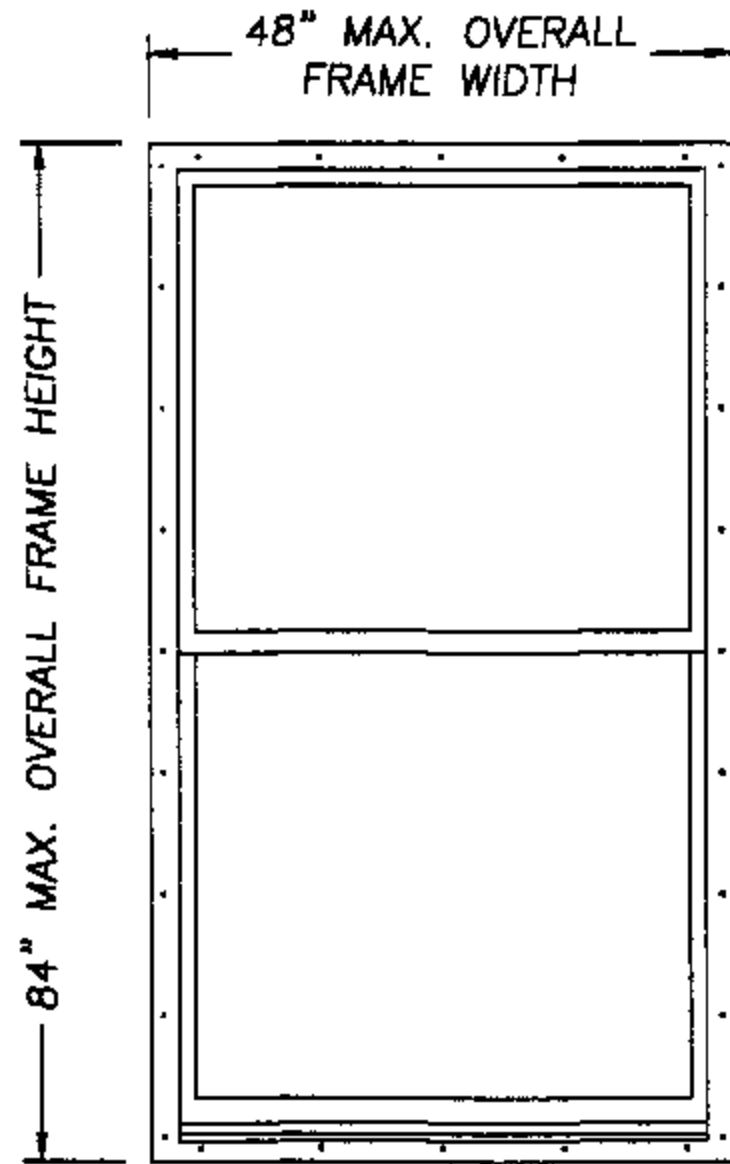


American Craftsman

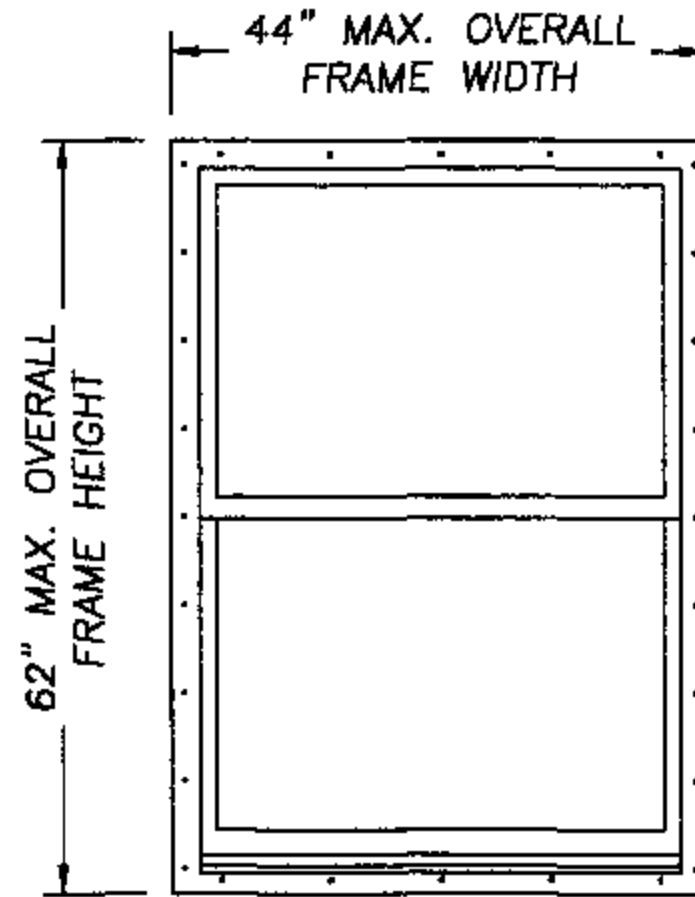
SERIES 2900 MODEL 2960
EXTRUDED VINYL SINGLE HUNG WINDOWS WITH NAILING FIN



$\frac{0}{X}$

DESIGN PRESSURE RATING
POS. 30.0 NEG. 30.0

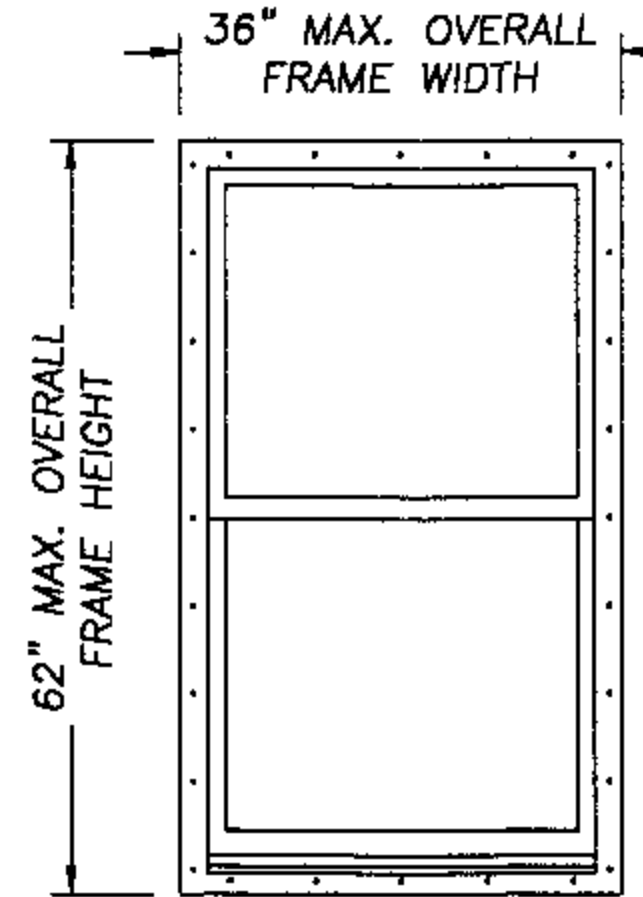
GLASS TABLE
5/8" INSULATED GLASS
1/8" ANN. - AIR SPACE - 1/8" ANN.



$\frac{0}{X}$

DESIGN PRESSURE RATING
POS. 45.0 NEG. 45.0

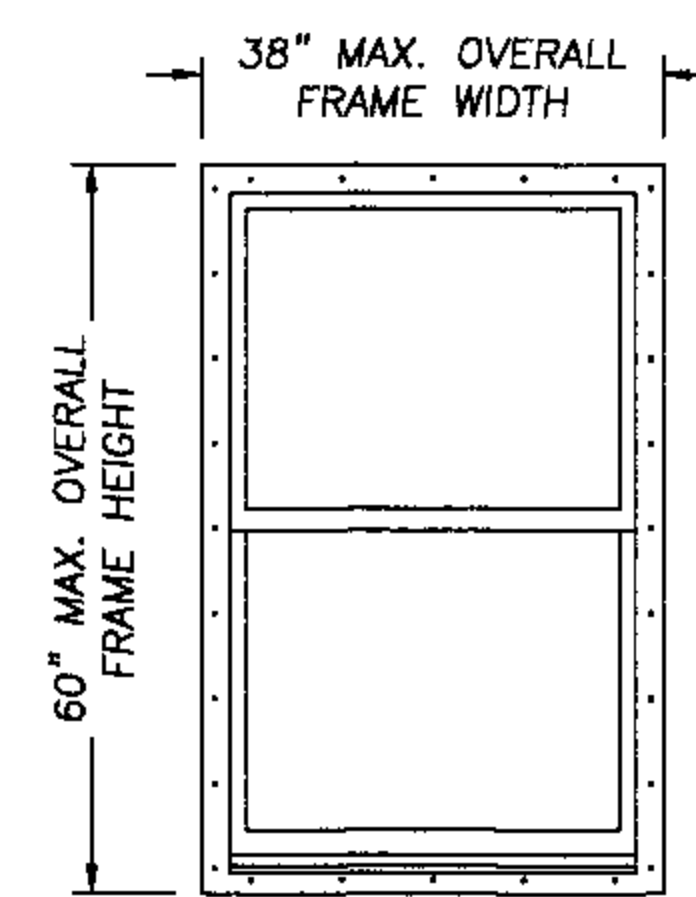
GLASS TABLE
5/8" INSULATED GLASS
1/8" ANN. - AIR SPACE - 1/8" ANN.



$\frac{0}{X}$

DESIGN PRESSURE RATING
POS. 50.0 NEG. 50.0

GLASS TABLE
5/8" INSULATED GLASS
1/8" ANN. - AIR SPACE - 1/8" ANN.



$\frac{0}{X}$

DESIGN PRESSURE RATING
POS. 50.0 NEG. 50.0

GLASS TABLE
5/8" INSULATED GLASS
1/8" ANN. - AIR SPACE - 1/8" ANN.

GENERAL NOTES

1. THIS PRODUCT IS DESIGNED TO COMPLY WITH THE FLORIDA BUILDING CODE.
2. PRODUCT ANCHORS SHALL BE AS LISTED AND SPACED AS SHOWN ON DETAILS.
3. WHEN THIS PRODUCT IS USED IN AN AREA REQUIRING WINDBORNE DEBRIS PROTECTION, FLORIDA BUILDING CODE APPROVED IMPACT RESISTANT SHUTTERS ARE REQUIRED.
4. ANCHORING CROSS SECTION FOR 2X STUD CONSTRUCTION SEE SHEET 2 OF 2.

PRODUCT DESCRIPTION

1. VINYL SINGLE HUNG WINDOW WITH MITERED AND WELDED CORNERS.
2. THE HEAD AND SIDE JAMBS ARE EXTRUDED VINYL WITH AN EXTERIOR WALL THICKNESS OF 0.070" +/- 0.008".
3. ALL ACTIVE SASH MEMBERS REINFORCED WITH SOLID ALUMINUM BAR STOCK.
4. THE FIXED MEETING RAIL UTILIZES A ROLLED FORMED STEEL REINFORCEMENT.
5. ALL FRAME MEMBERS HAVE AN INTEGRAL NAILING FIN.

August 22, 2002
Lyndon F. Schmidt
Florida P. E. No. 43409
19506 French Lace Drive Lutz, FL 33558

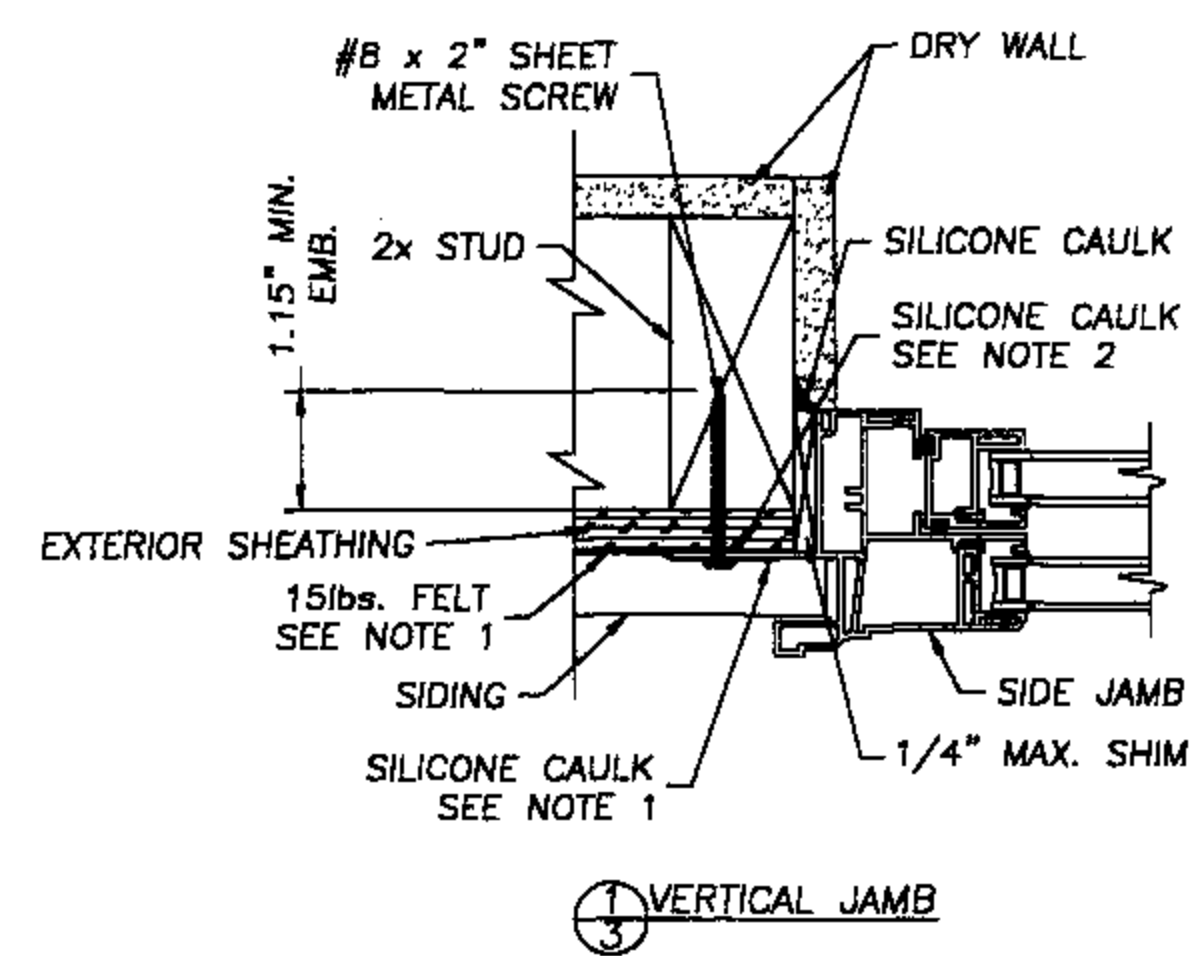
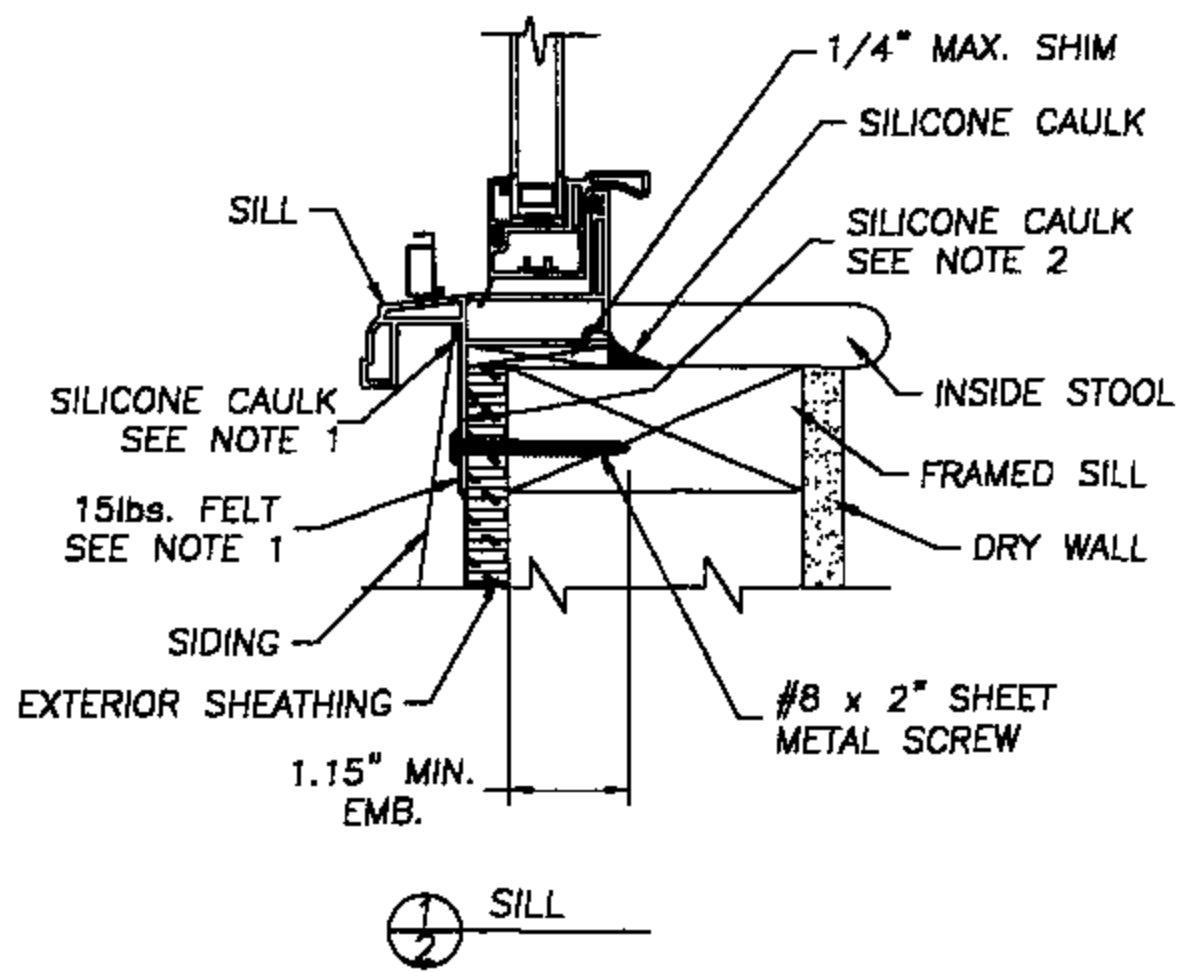
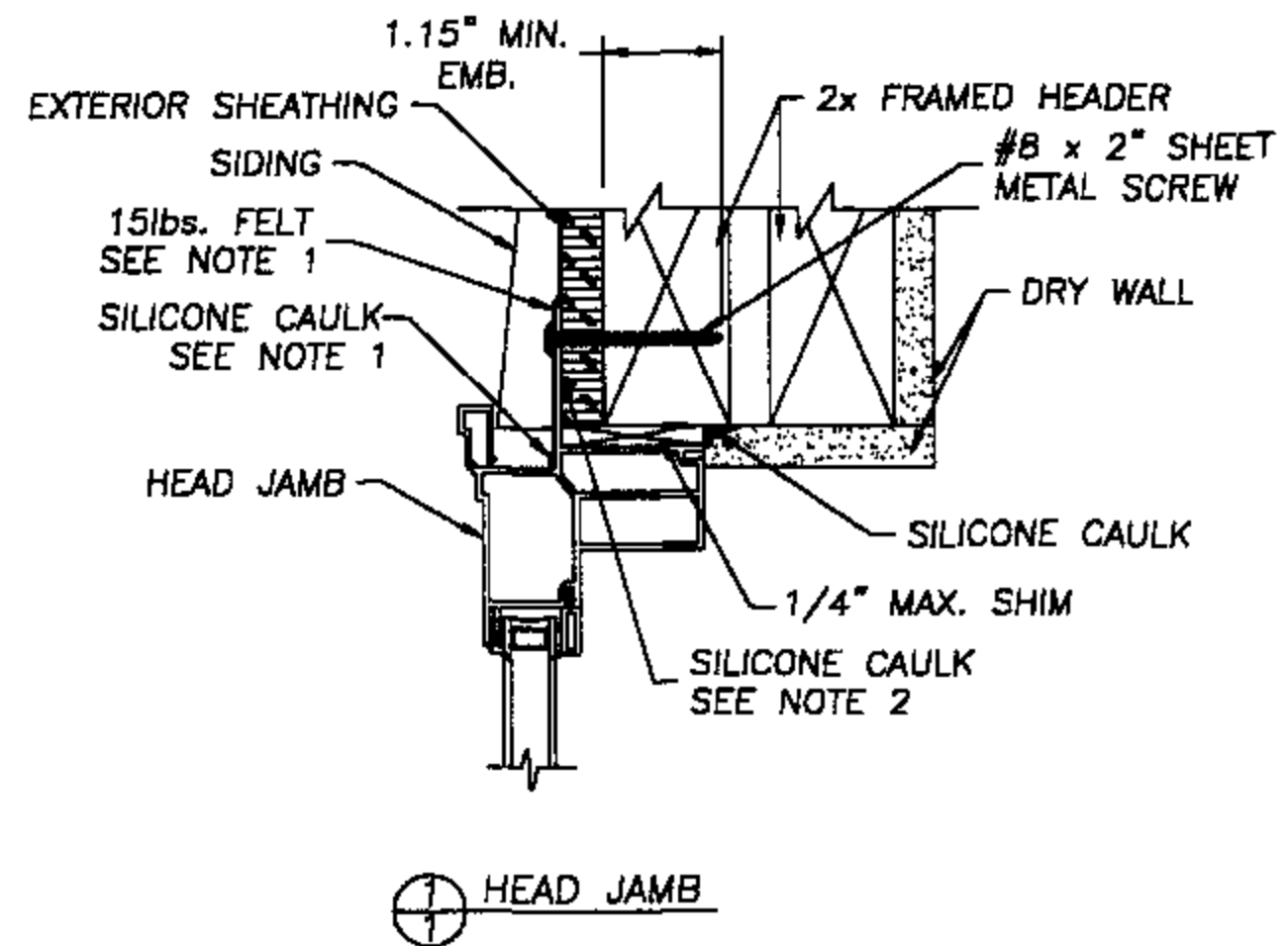
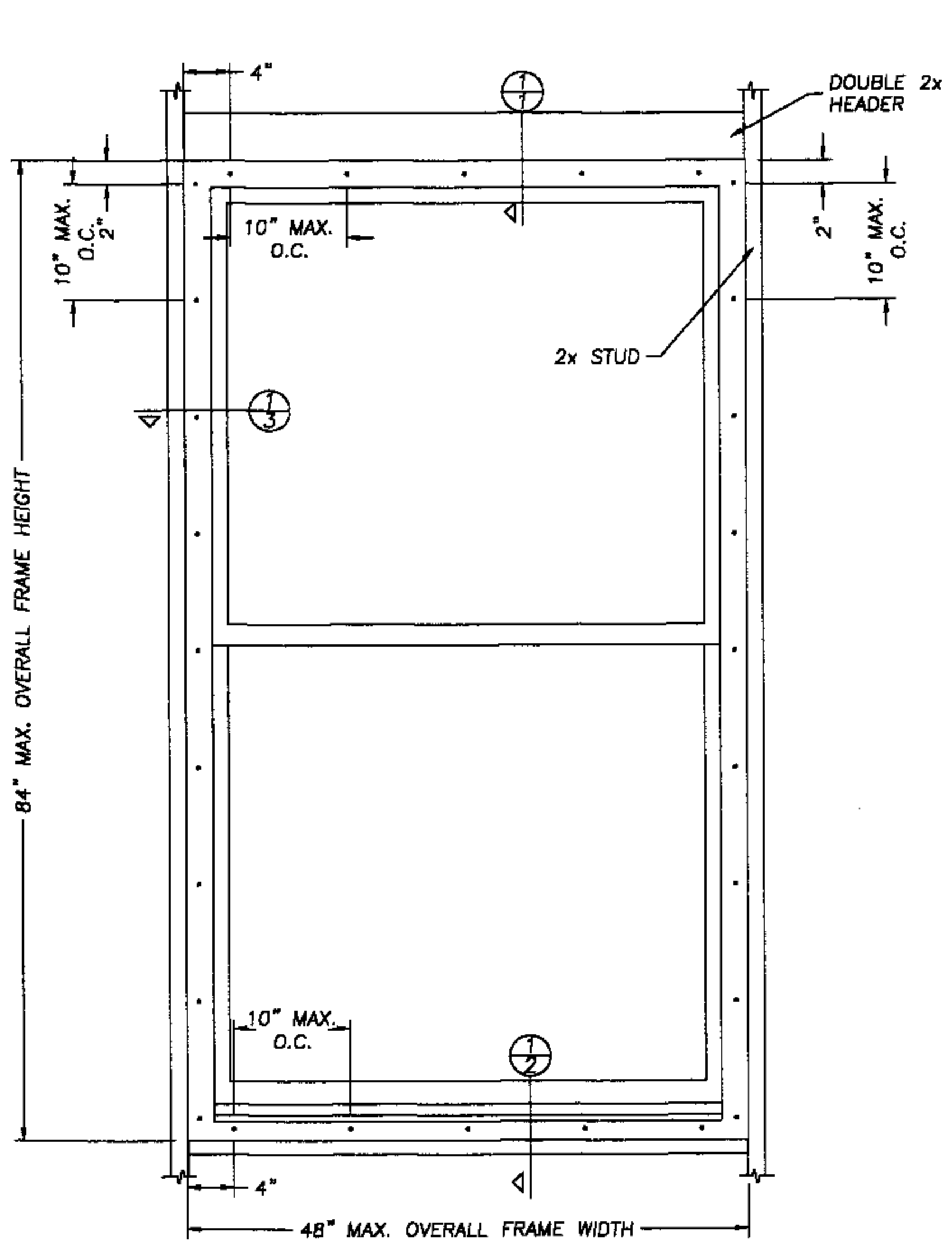
American Craftsman Windows
P O Box 6029
North Brunswick, NJ 08902
PH. 800 299-9501

PRODUCT: AMERICAN CRAFTSMAN
EXTRUDED VINYL SINGLE
HUNG WINDOW W/NAILING FIN
PART OR ASSEMBLY:
GENERAL NOTES &
TYPICAL ELEVATIONS

NO.	DATE	REVISIONS	BY

RW BUILDING
CONSULTANTS, INC.
813.659.9197

DATE: 8/21/02
SCALE: N.T.S.
DWG. BY: WLN
CHK. BY: RW
DRAWING NO.:
AC-411-OC
SHEET 1 OF 2



- NOTE:**
- 15lbs. felt must be used as a water barrier. The felt must cover the nailing fin and anchor screw heads. All loose edges of the felt paper must be sealed with silicone caulk.
 - The full perimeter of the window nailing fin must have a heavy bead of caulk applied to the building side before the window is placed in the opening.

August 22, 2002
 Lyndon F. Schmidt
 Florida P. E. No. 43409
 19506 French Lace Drive
 Lutz, FL 33558

American Craftsman Windows
 P O Box 6029
 North Brunswick, NJ 08902
 PH. 800 299-9501

ANCHORING CROSS SECTIONS
 FOR 2X STUD CONSTRUCTION
 SINGLE HUNG VINYL
 WINDOW W/ NAILING FIN

RW BUILDING
 CONSULTANTS, INC.
 813.659.9197

8/21/02
 SCALE: N.T.S.
 DWG. BY: WLN
 CHK. BY: R.W.
 DRAWING NO.:
 AC-411-OC
 SHEET 2 OF 2