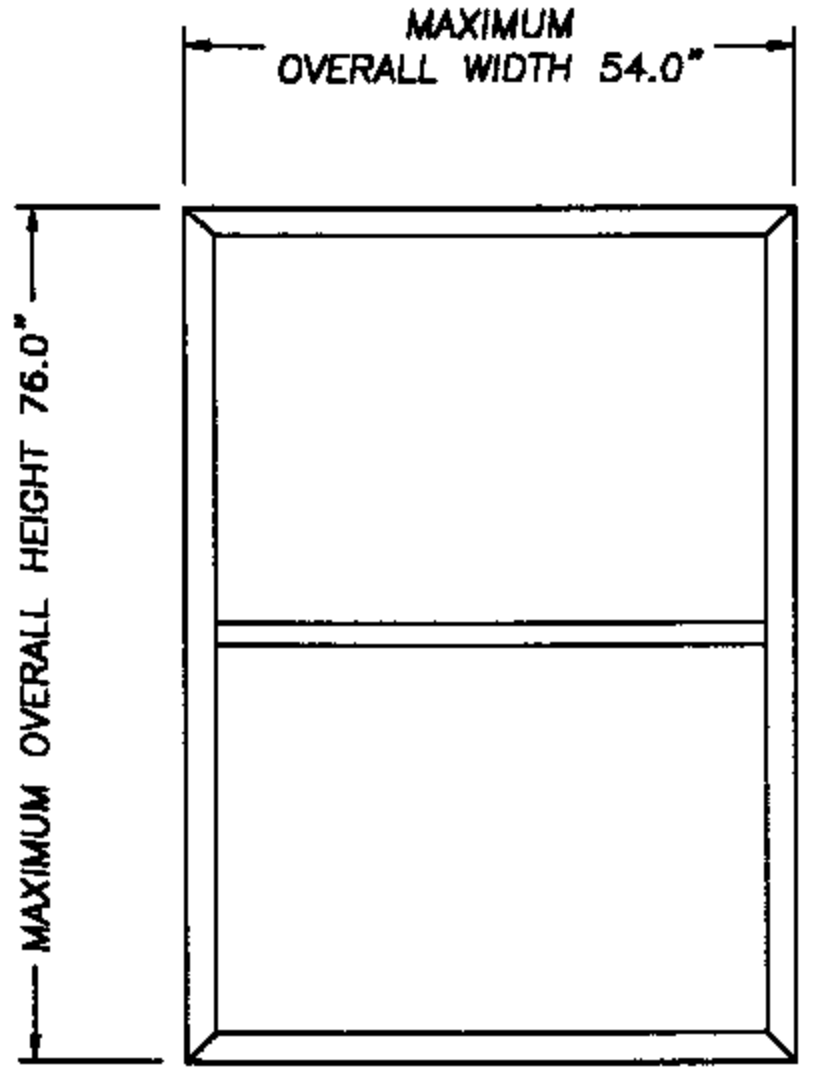
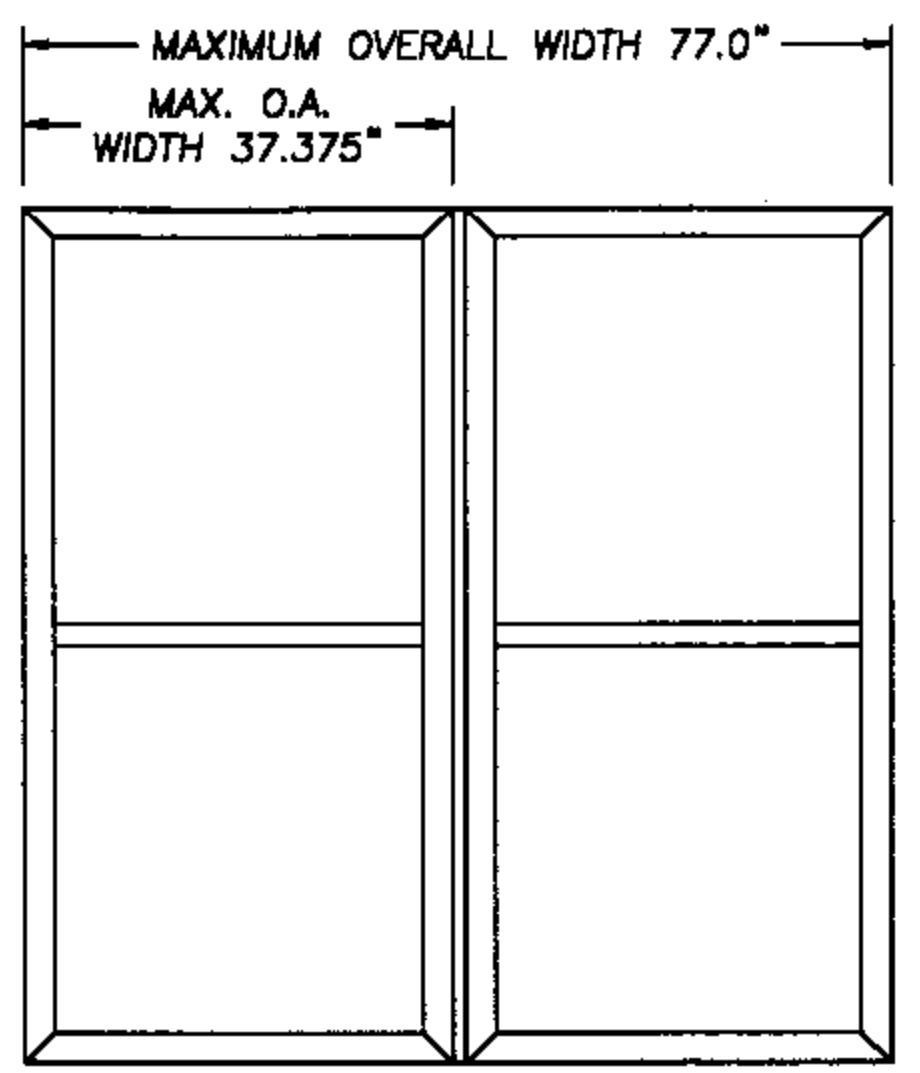


GALAXY WINDOW & DOOR, INC.
TROPICAL FORCE SERIES
EXTRUDED VINYL SINGLE HUNG WINDOWS INSTALLATION



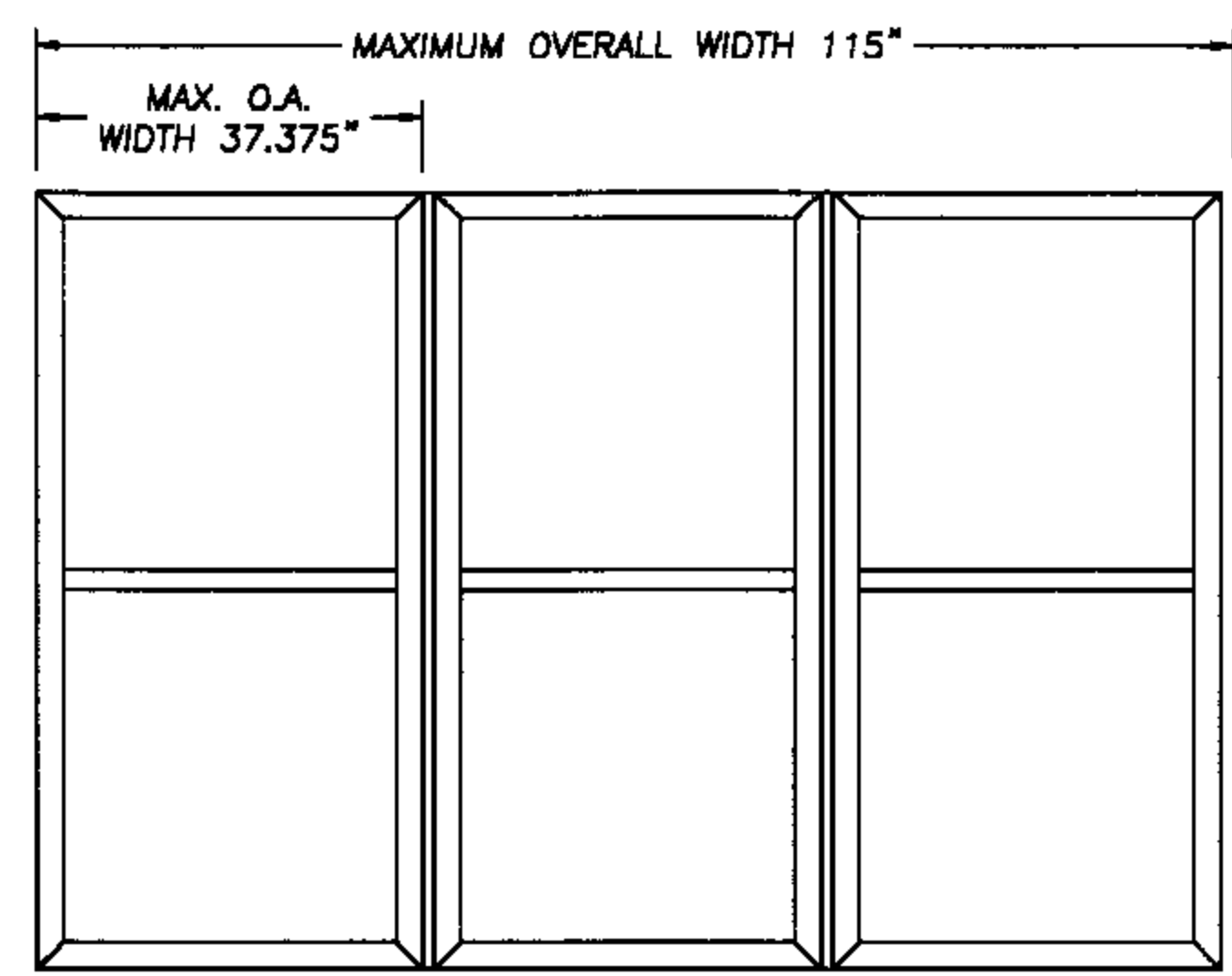
$\frac{0}{X}$

DESIGN PRESSURE RATING
POS. 70.0 NEG. 75.0



$\frac{0}{X}$ $\frac{0}{X}$

DESIGN PRESSURE RATING
POS. 60.0 NEG. 65.0



$\frac{0}{X}$ $\frac{0}{X}$ $\frac{0}{X}$

DESIGN PRESSURE RATING
POS. 60.0 NEG. 65.0

GENERAL NOTES

1. THIS PRODUCT IS DESIGNED TO COMPLY WITH THE FLORIDA BUILDING CODE.
2. PRODUCT ANCHORS SHALL BE AS LISTED AND SPACED AS SHOWN ON DETAILS.
3. WHEN THIS PRODUCT IS USED IN AN AREA REQUIRING WINDBORNE DEBRIS PROTECTION, FLORIDA BUILDING CODE APPROVED IMPACT RESISTANT SHUTTERS ARE NOT REQUIRED.
4. A "TROPICAL FORCE SERIES" FIXED FRAME WINDOW MAY BE SUBSTITUTED FOR ANY UNIT IN THE MULLED UNIT COMBINATION AS LONG AS THE WIDTH OF THAT UNIT DOES NOT EXCEED 37.375".
5. IN THE MULLED APPLICATION YOU CANNOT EXCEED THREE UNITS WITH A MAXIMUM WIDTH OF 115.0".
6. FOR SINGLE HUNG ANCHORING USING A 1X SUB-BUCK SEE SHEET 2 OF 5.
7. FOR SINGLE HUNG ANCHORING USING A 2X SUB-BUCK SEE SHEET 3 OF 5.
8. FOR MULLED SINGLE HUNG ANCHORING USING A 1X SUB-BUCK SEE SHEET 4 OF 5.
9. FOR MULLED SINGLE HUNG ANCHORING USING A 2X SUB-BUCK SEE SHEET 5 OF 5.

PRODUCT DESCRIPTION

1. VINYL SINGLE HUNG TILT WINDOW WITH MITERED AND WELDED CORNERS.
2. THE HEAD AND SIDE JAMBS ARE EXTRUDED VINYL WITH A MIN. OUTER WALL THICKNESS OF 0.083" AND INNER WALL THICKNESS OF 0.044".
3. THE SILL, HEAD JAMB AND SIDE JAMBS ARE REINFORCED WITH AN 0.058" "U" CHANNEL.
4. THE SASH AND MEETING RAILS ARE REINFORCED WITH AN 0.051" STEEL CHANNEL.
5. THE GLASS IS 15/32 OVERALL, CONSISTING OF (2) LAYERS OF 1/8" TEMPERED GLASS SANDWICHED AROUND AN 0.097" (PET-PVB-PET) INTERLAYER.

[Signature]
 JUNE 14, 2002

Lyndon F. Schmidt
 Florida P. E. No. 43409
 19506 French Lace Drive Lutz, FL 33558

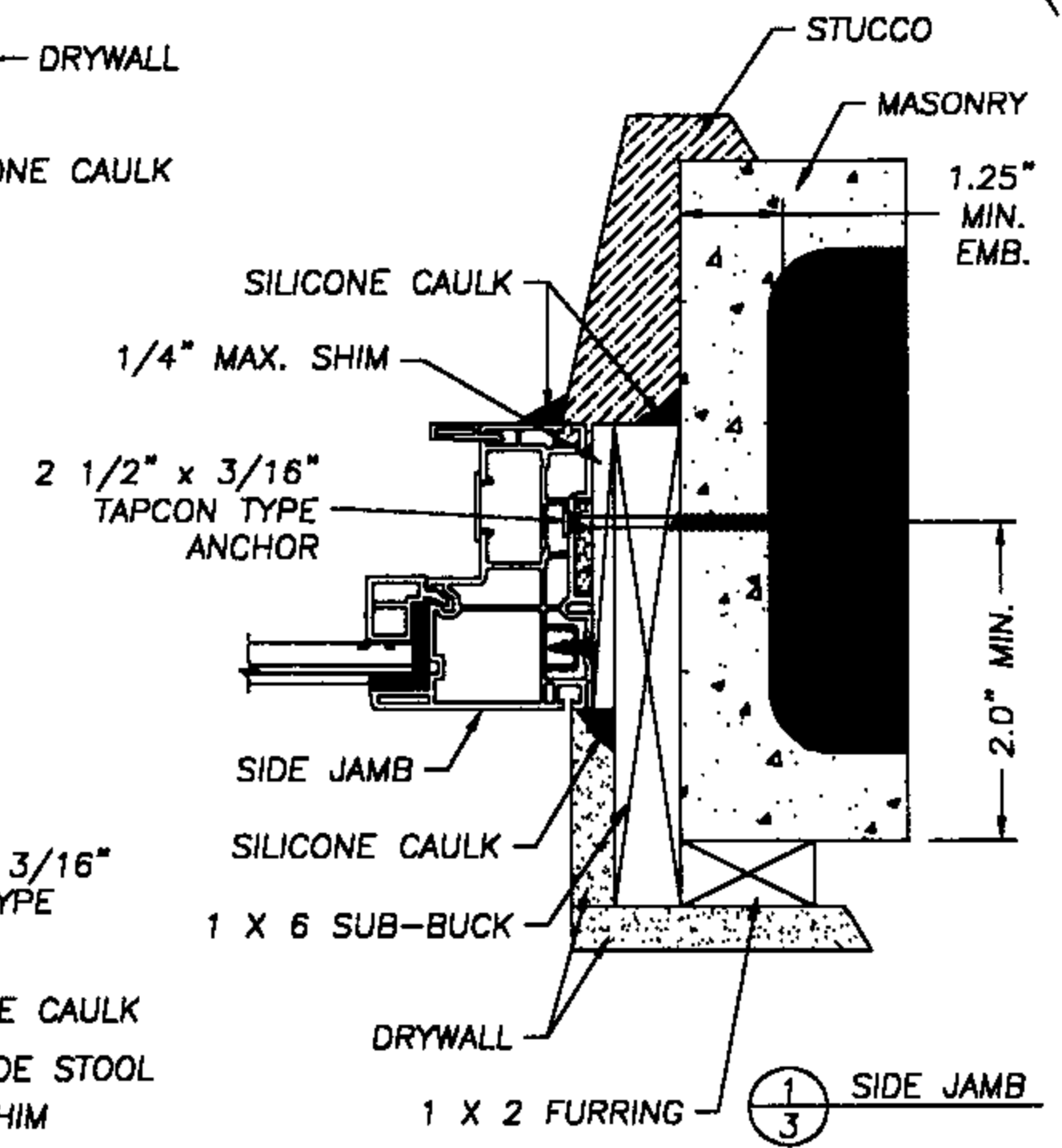
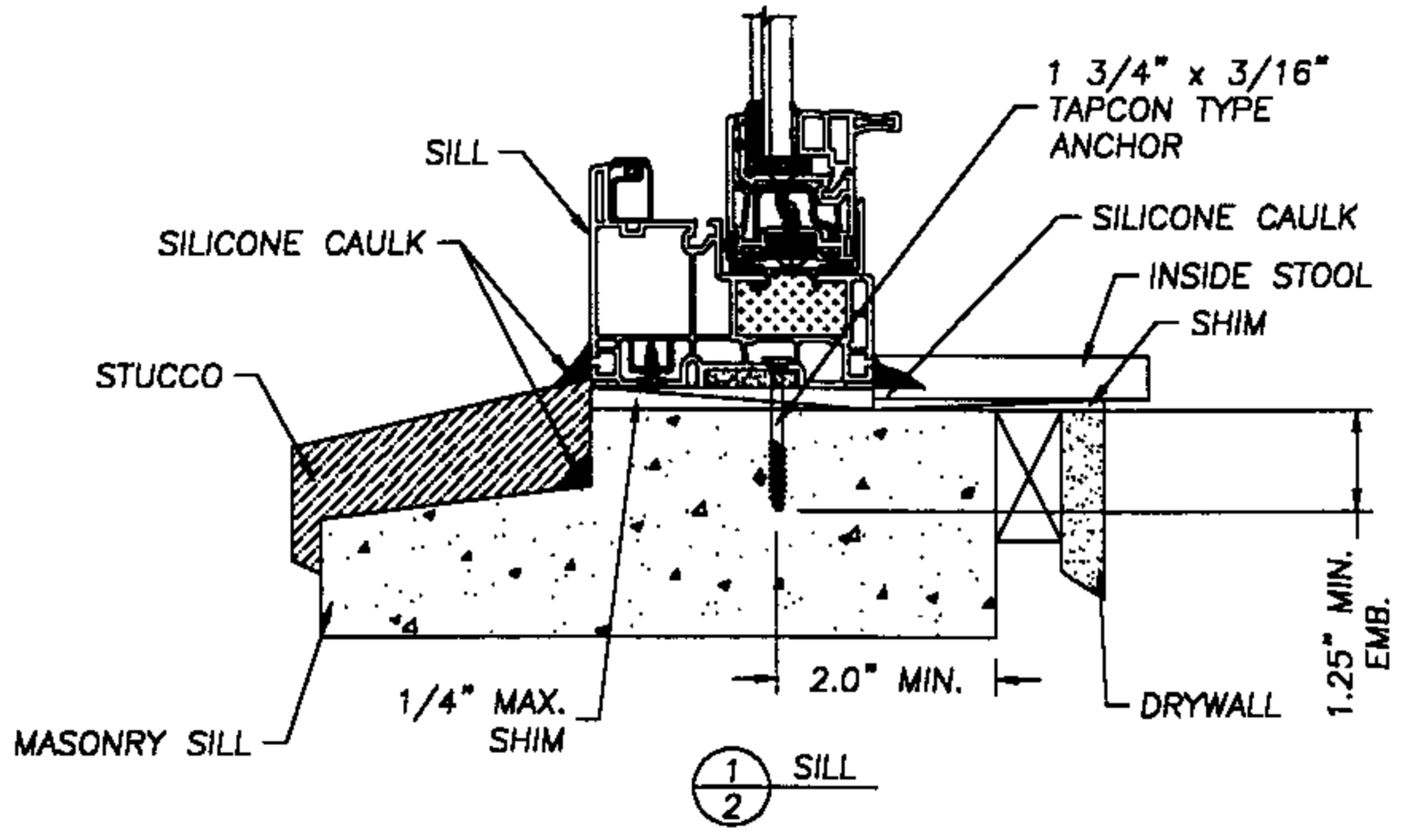
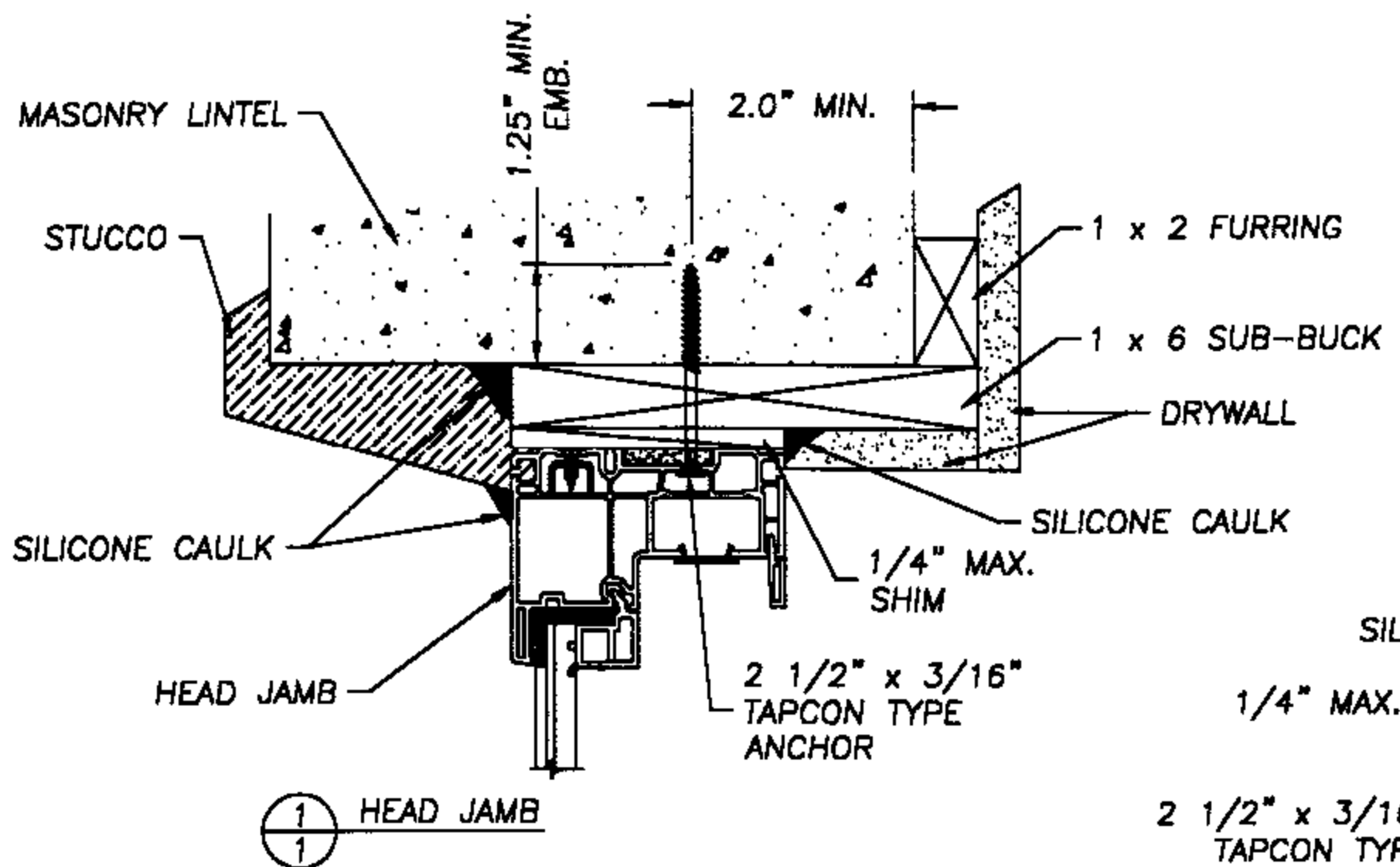
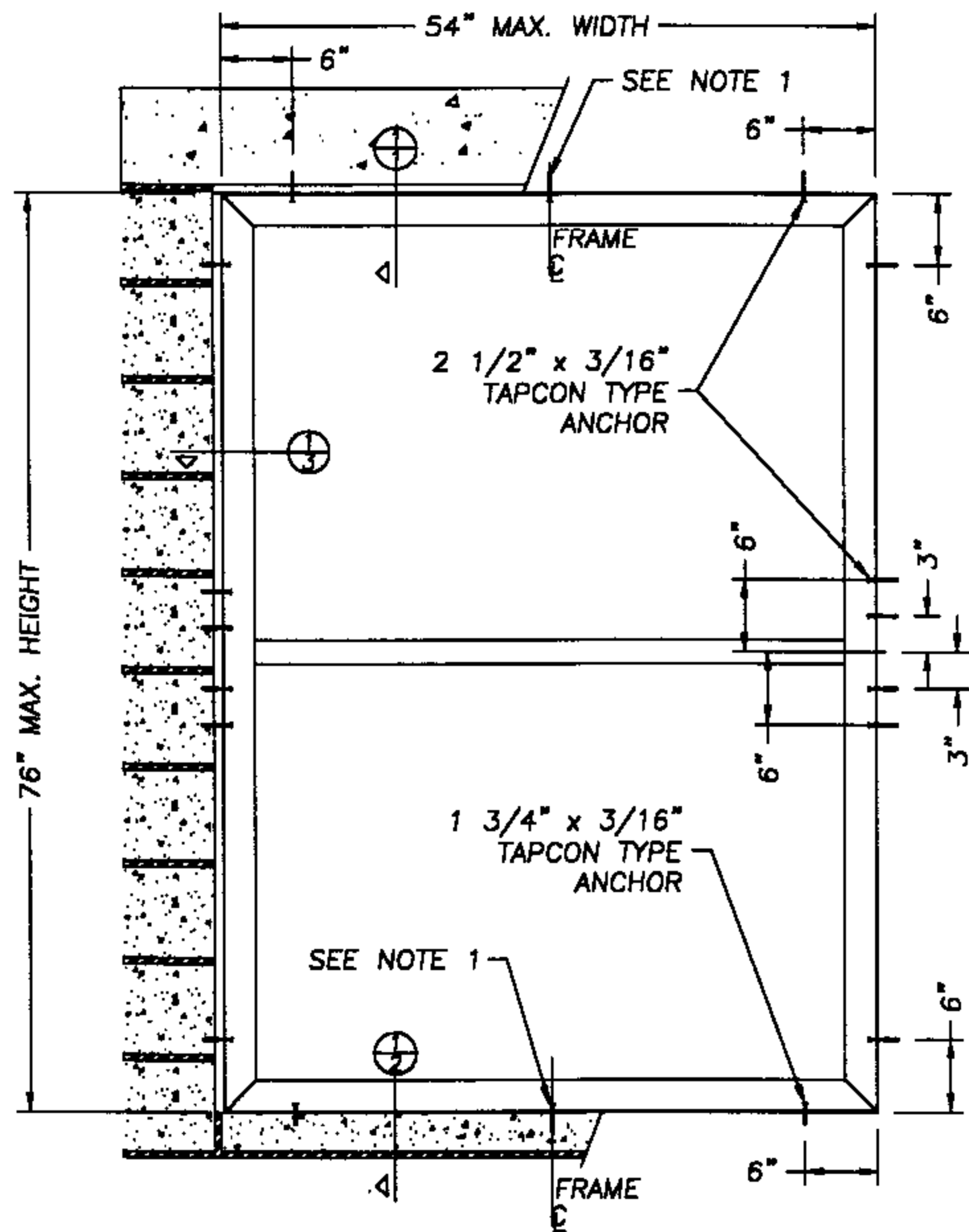
GALAXY Window & Door, Inc.
 1900 N. Andrews Avenue
 Pompano Beach, FL 33069
 PH. 954.978.2400

PRODUCT: "TROPICAL FORCE SERIES" SINGLE HUNG EXTRUDED VINYL WINDOW
 PART OR ASSEMBLY:
 GENERAL NOTES & TYPICAL ELEVATIONS

NO.	DATE	REVISIONS	BY

RW BUILDING CONSULTANTS, INC.
 813.858.9197

DATE: 6/11/02
 SCALE: N.T.S.
 DWG. BY: RW
 CHK. BY: LS
 DRAWING NO.: GX-101M-OC
 SHEET 1 OF 5



NOTE:

1. When installing a window that is 36" or less in overall width, eliminate the installation of this screw.
2. Adjust Tapcon anchor locations, if necessary, to maintain a minimum 2.0" clearance from mortar joints.

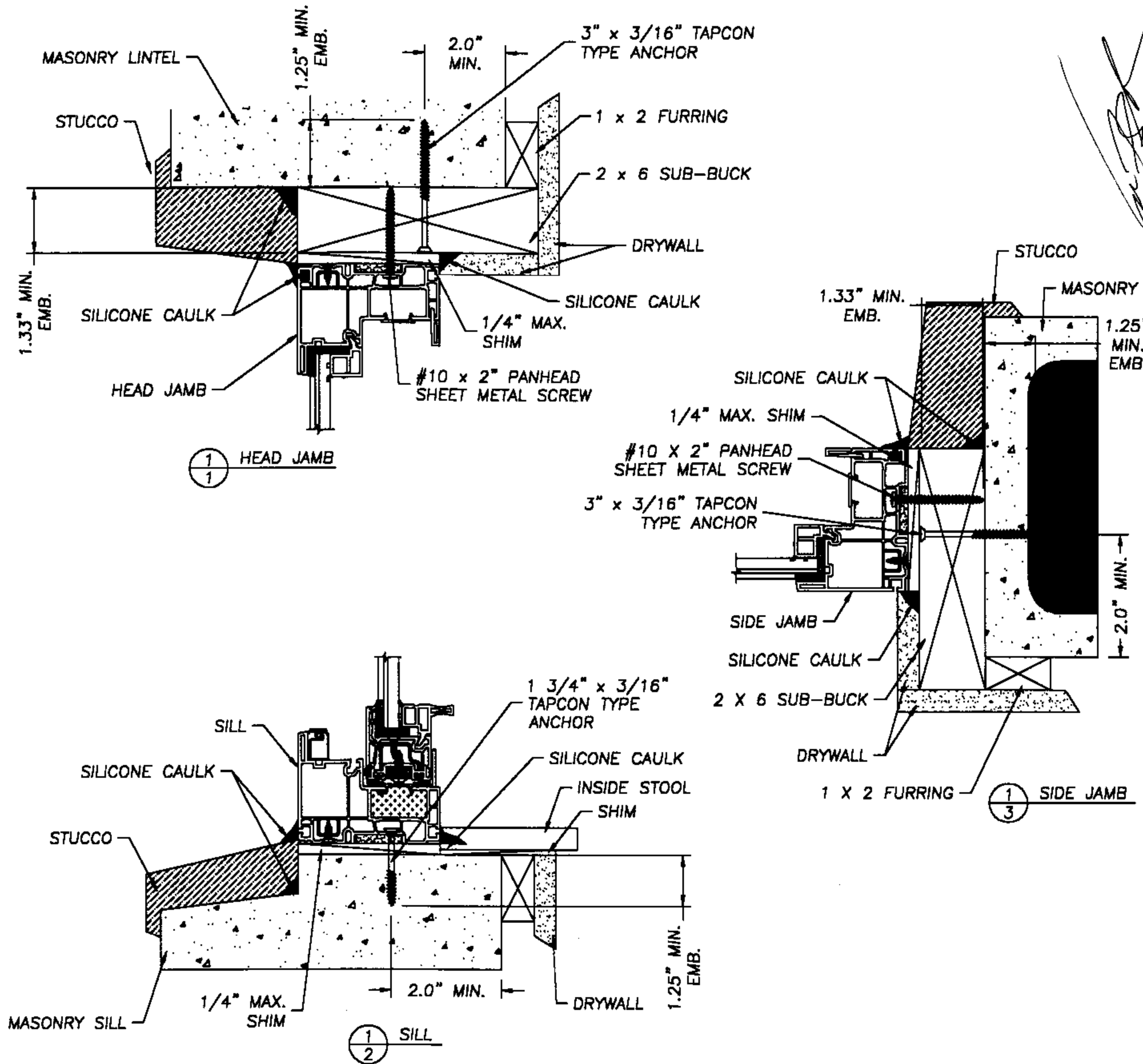
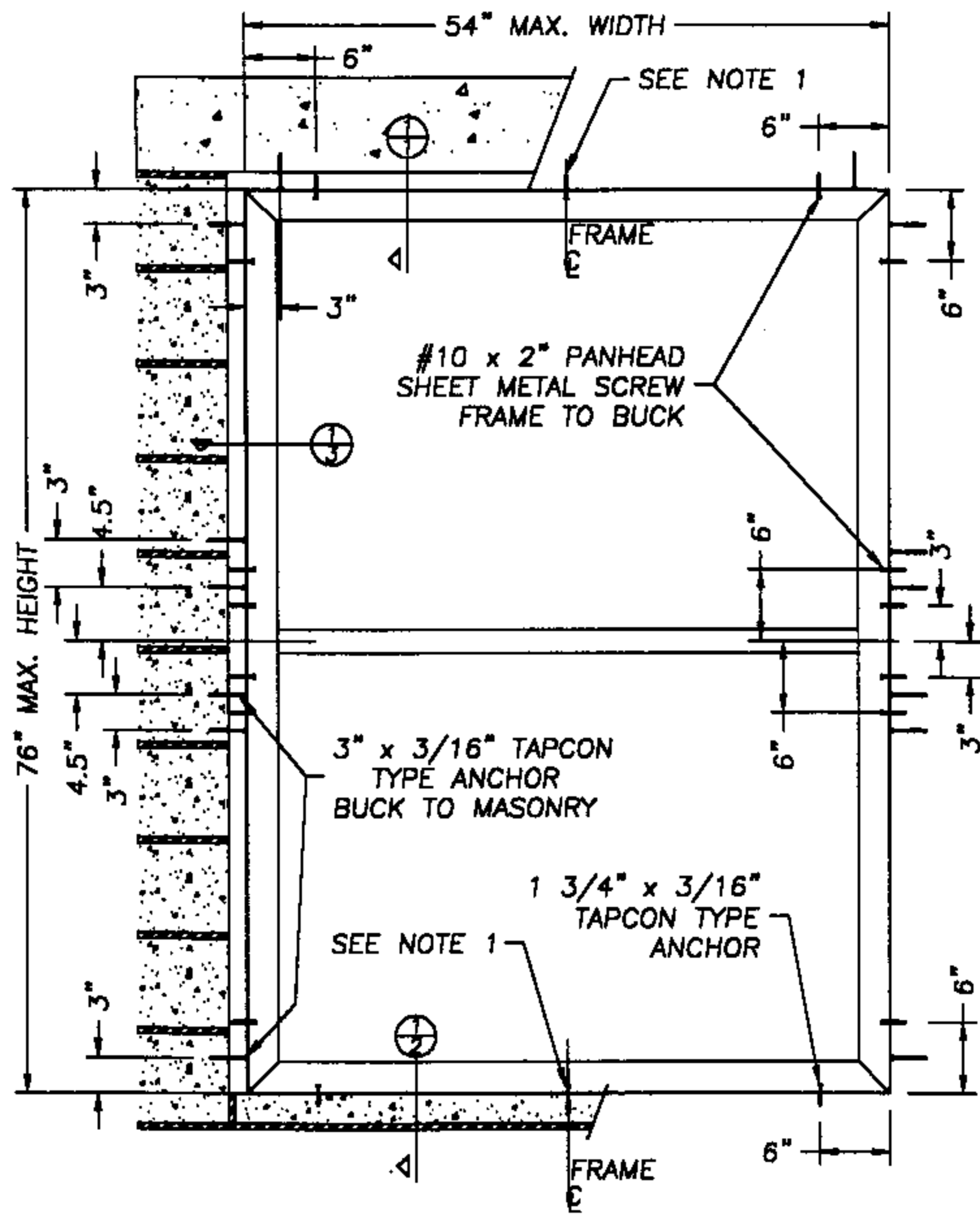
JUNE 14, 2002
 Lyndon F. Schmidt
 Florida P. E. No. 43409
 19506 French Lace Drive
 Lutz, FL 33558

GALAXY Window & Door, Inc.
 1900 N. Andrews Avenue
 Pompano Beach, FL 33069
 PH. 954.978.2400

ANCHORING CROSS SECTIONS
 FOR 1X BUCK TO MASONRY
 SINGLE TROPICAL FORCE
 VINYL SINGLE HUNG WINDOW

RW BUILDING CONSULTANTS, INC.
 813.659.9197

DATE: 06/11/02
 SCALE: N.T.S.
 DWG. BY: TJH
 CHK. BY: RW
 DRAWING NO.: GX-101M-OC
 SHEET 2 OF 5



NOTE:

1. When installing a window that is 36" or less in overall width, eliminate the installation of this screw.
2. Adjust Tapcon anchor locations, if necessary, to maintain a minimum 2.0" clearance from mortar joints.

JUNE 14, 2002

Lyndon F. Schmidt
 Florida P. E. No. 43409
 19506 French Lace Drive
 Lutz, FL 33558

GALAXY Window & Door, Inc.
 1900 N. Andrews Avenue
 Pompano Beach, FL 33069
 PH. 954.978.2400

ANCHORING CROSS SECTIONS
 FOR 2X BUCK TO MASONRY
 SINGLE TROPICAL FORCE
 VINYL SINGLE HUNG WINDOW

RW BUILDING
 CONSULTANTS, INC.
 813.859.9197

DATE: 06/11/02

SCALE: N.T.S.

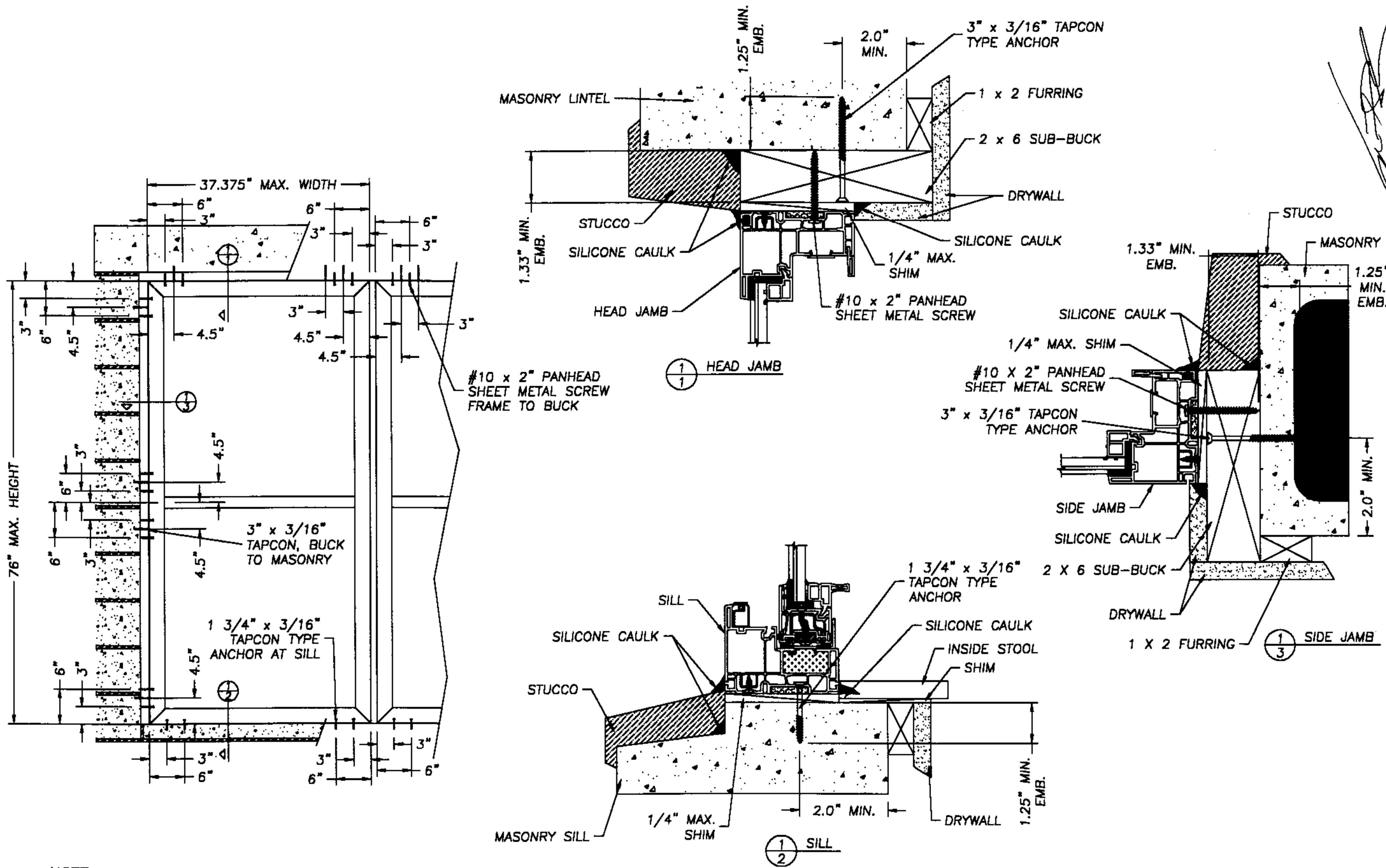
DWG. BY: TJH

CHK. BY: RW

DRAWING NO.:

GX-101M-OC

SHEET 3 OF 5



NOTE:

1. Adjust Tapcon anchor locations, if necessary, to maintain a minimum 2.0" clearance from mortar joints.
2. Any single hung unit in the mulled application can be substituted with a fixed unit from drawing GX-102-2M.

JUNE 14, 2002
 Lyndon F. Schmidt
 Florida P. E. No. 43409
 19506 French Lace Drive
 Lutz, FL 33558

GALAXY Window & Door, Inc.
 1900 N. Andrews Avenue
 Pompano Beach, FL 33069
 PH. 954.978.2400

ANCHORING CROSS SECTIONS
 FOR 2X BUCK TO MASONRY
 MULLED TROPICAL FORCE
 VINYL SINGLE HUNG WINDOW

RW BUILDING
 CONSULTANTS, INC.
 813.659.9197

DATE: 06/11/02
 SCALE: N.T.S.
 DWG. BY: TJH
 CHK. BY: RW
 DRAWING NO.:
 GX-101M-OC
 SHEET 5 OF 5