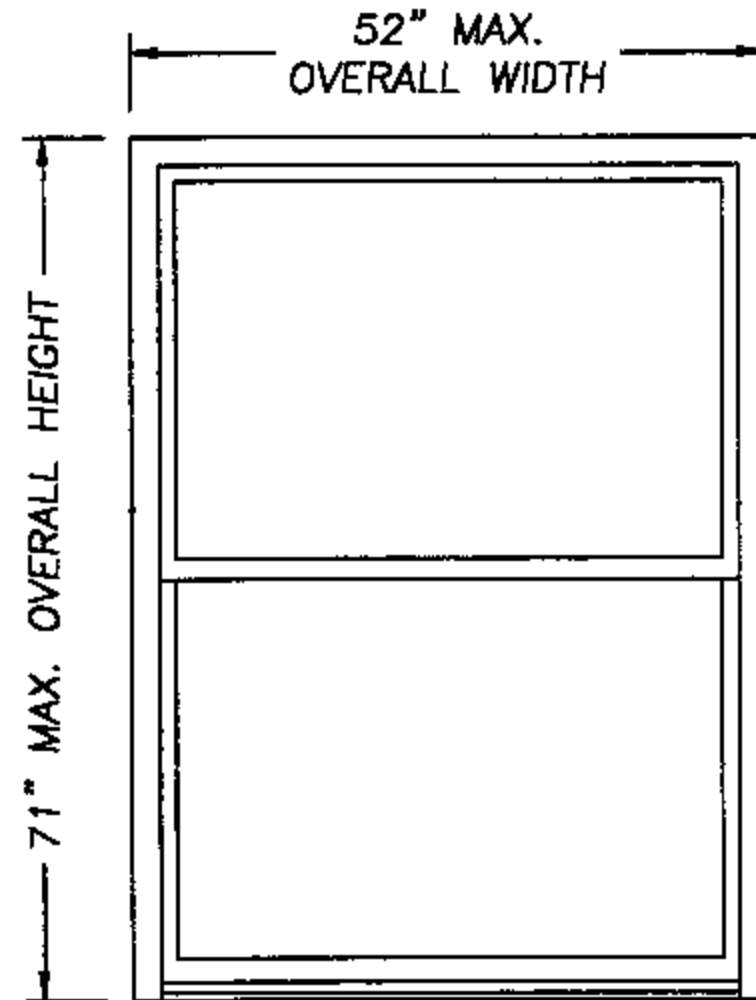


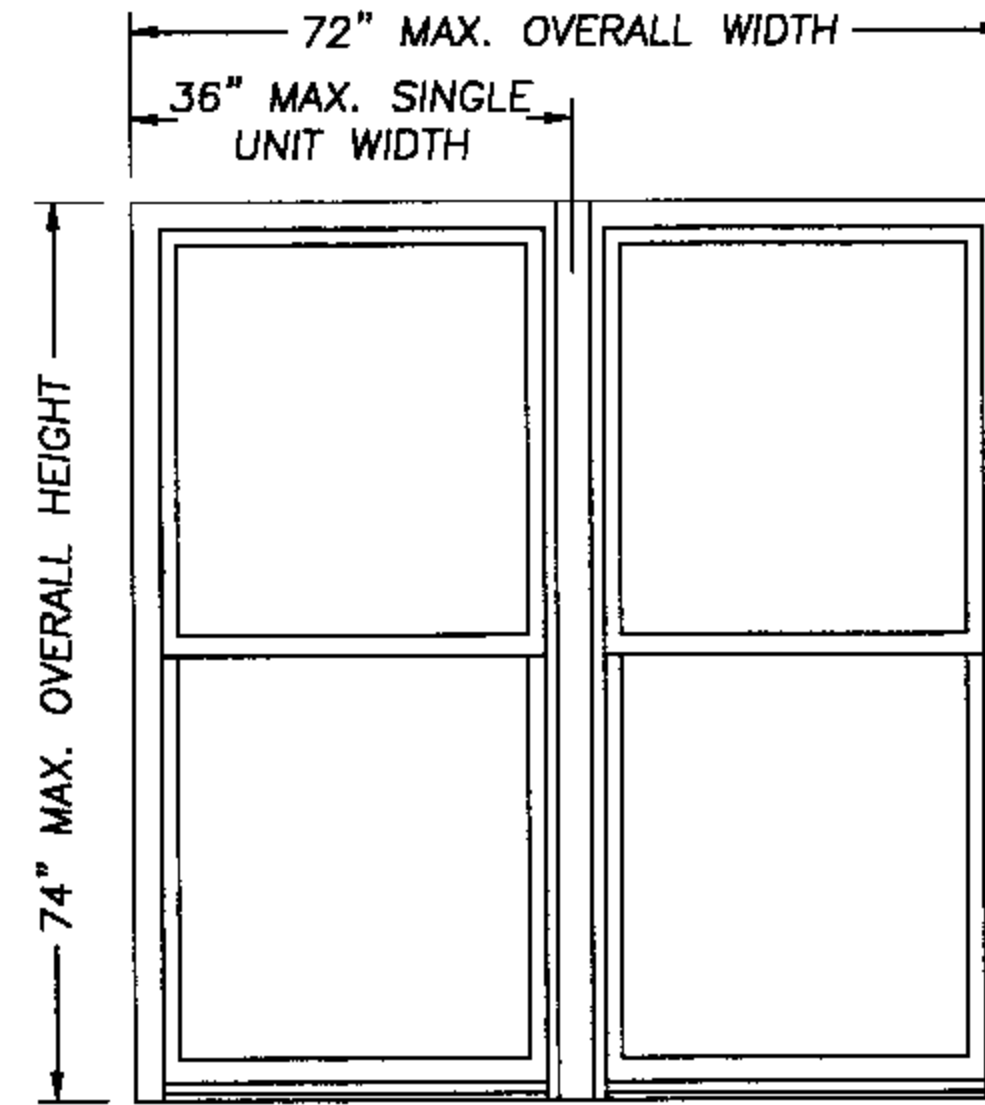
# SEARS HOME IMPROVEMENT PRODUCTS

7000 SERIES (AS MFG. BY SIMONTON SERIES 07-70 / 75-75)  
EXTRUDED VINYL DOUBLE HUNG WINDOW



X  
X

DESIGN PRESSURE RATING	
POS. 50.0	NEG. 50.0
3/4" OVERALL GLASS THK.	
1/8" ANN. - AIR - 1/8" ANN.	



X X  
X X

DESIGN PRESSURE RATING	
POS. 50.0	NEG. 50.0
3/4" OVERALL GLASS THK.	
1/8" ANN. - AIR - 1/8" ANN.	

### GENERAL NOTES

1. THIS PRODUCT IS DESIGNED TO COMPLY WITH THE FLORIDA BUILDING CODE.
2. PRODUCT ANCHORS SHALL BE AS LISTED AND SPACED AS SHOWN ON DETAILS.
3. WHEN THIS PRODUCT IS USED IN AN AREA REQUIRING WINDBORNE DEBRIS PROTECTION, FLORIDA BUILDING CODE APPROVED IMPACT RESISTANT SHUTTERS ARE REQUIRED.
4. DOUBLE HUNG SINGLE UNIT ANCHORING TO EXISTING OPENING W/ EXISTING 1X BUCK STRIP TO MASONRY SEE SHEET 2 OF 3.
5. DOUBLE HUNG MULLED UNIT ANCHORING TO EXISTING OPENING W/ EXISTING 1X BUCK STRIP TO MASONRY SEE SHEET 3 OF 3.

### PRODUCT DESCRIPTION

1. VINYL DOUBLE HUNG WINDOW WITH MITERED AND WELDED CORNERS.
2. THE HEAD AND SIDE JAMBS ARE EXTRUDED VINYL WITH AN EXTERIOR WALL THICKNESS OF 0.070".
3. ALL FRAME PROFILES ALLOW OPTIONAL INSIDE AND OUTSIDE USE OF UV09 SNAP TRIM.
4. STEEL AND ALUMINUM REINFORCEMENTS ARE USED IN THE EXTERIOR/ INTERIOR MEETING RAILS AND TOP/BOTTOM SASH STILE & RAILS.
5. THE MULLED UNIT USES #VPI-354 EXTRUDED PVC MULL COVER, 0.071" MIN. AND #16991 LARGE MULL REINFORCEMENT, 6063-T5 ALUMMINUM.

*Lyndon F. Schmidt*  
August 12, 2002

Lyndon F. Schmidt  
Florida P. E. No. 43409  
19506 French Lace Drive Lutz, FL 33558

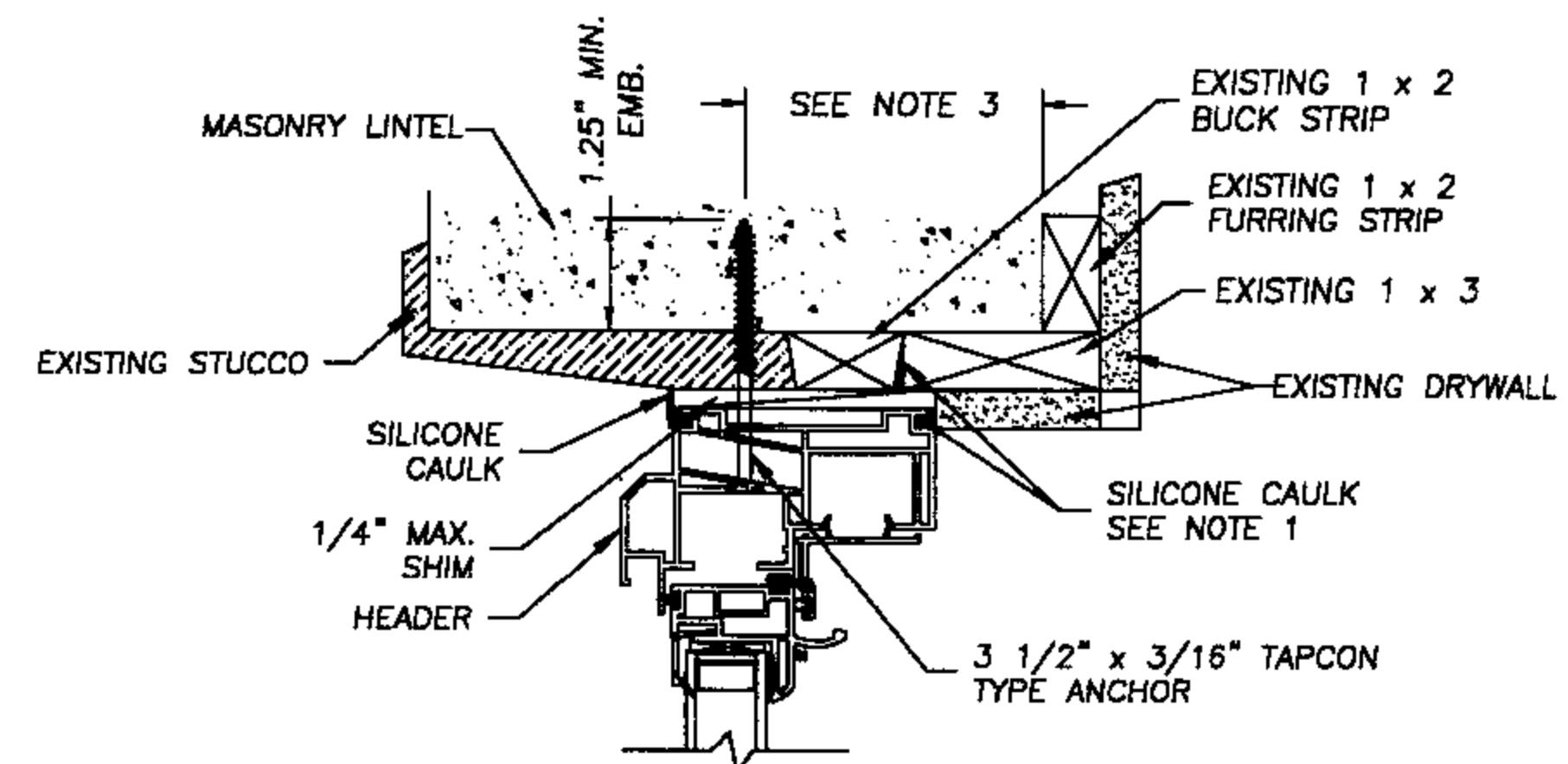
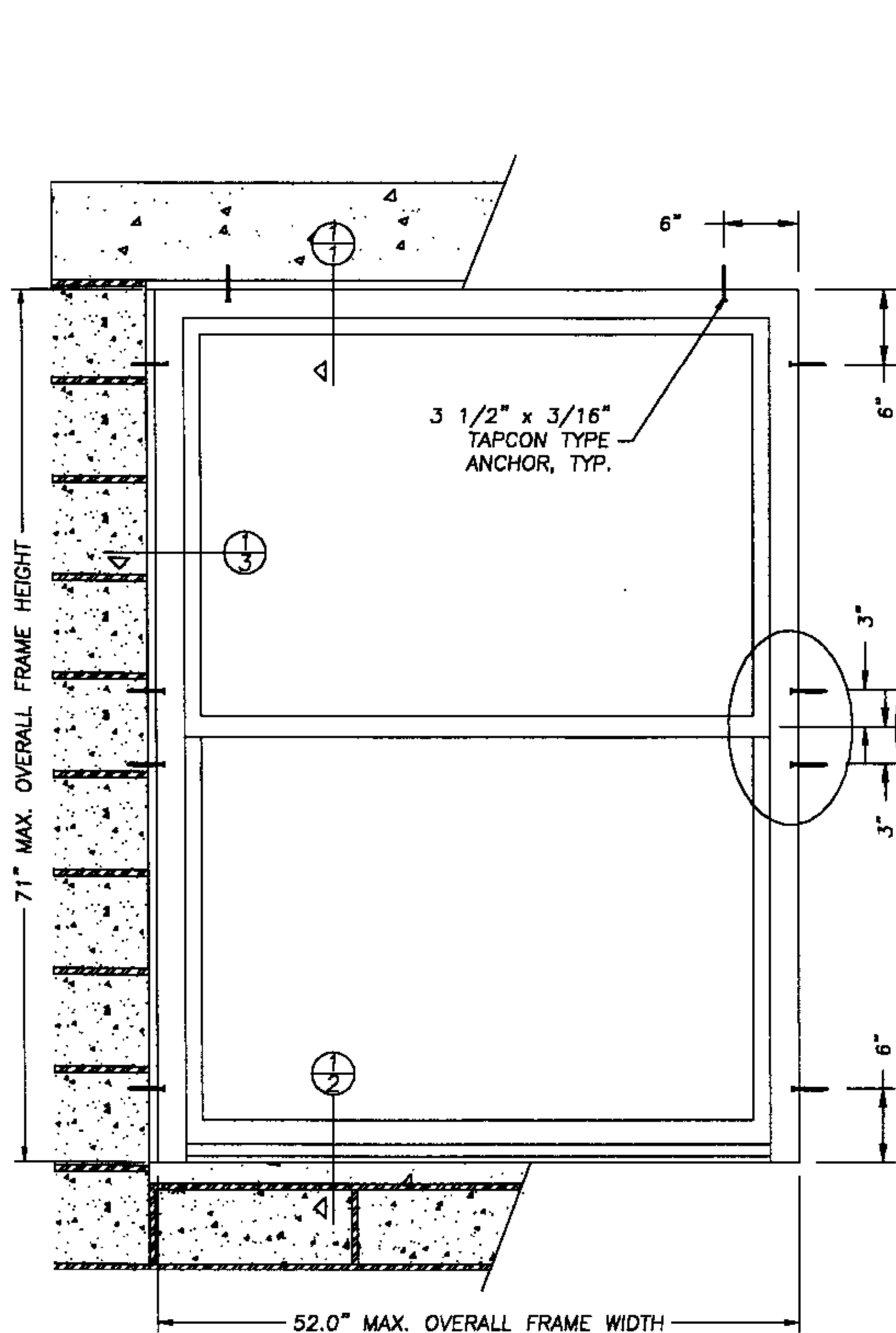
Sears Home Improvement Products  
1024 Florida Central Parkway  
Longwood, FL 32750  
PH. 800.222.5030  
Fax. 407.332.8216

PRODUCT: SEARS  
EXTRUDED VINYL  
DOUBLE HUNG WINDOW  
PART OR ASSEMBLY:  
GENERAL NOTES &  
TYPICAL ELEVATIONS

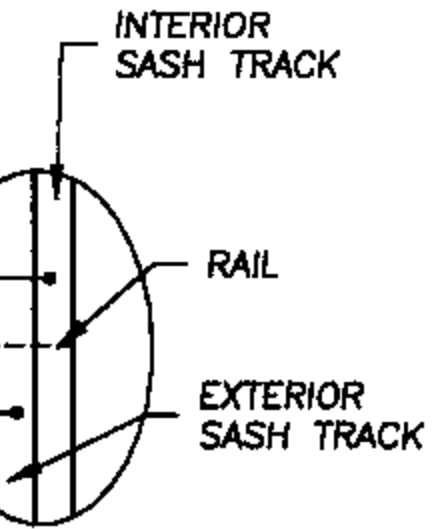
NO.	DATE	REVISIONS	BY

**RW** BUILDING  
CONSULTANTS, INC.  
813.659.8197

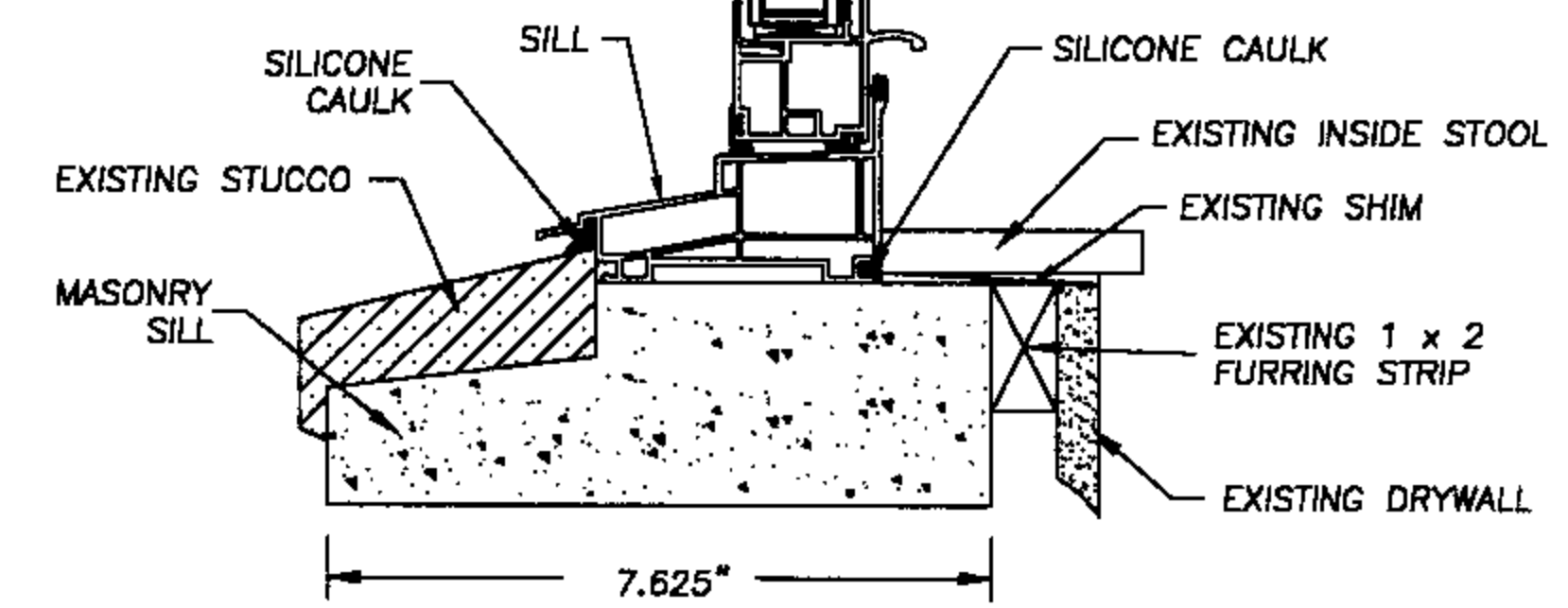
DATE: 6/24/02  
SCALE: N.T.S.  
DWG. BY: WLN  
CHK. BY: RW  
DRAWING NO.:  
SR-101-OC  
SHEET 1 OF 3



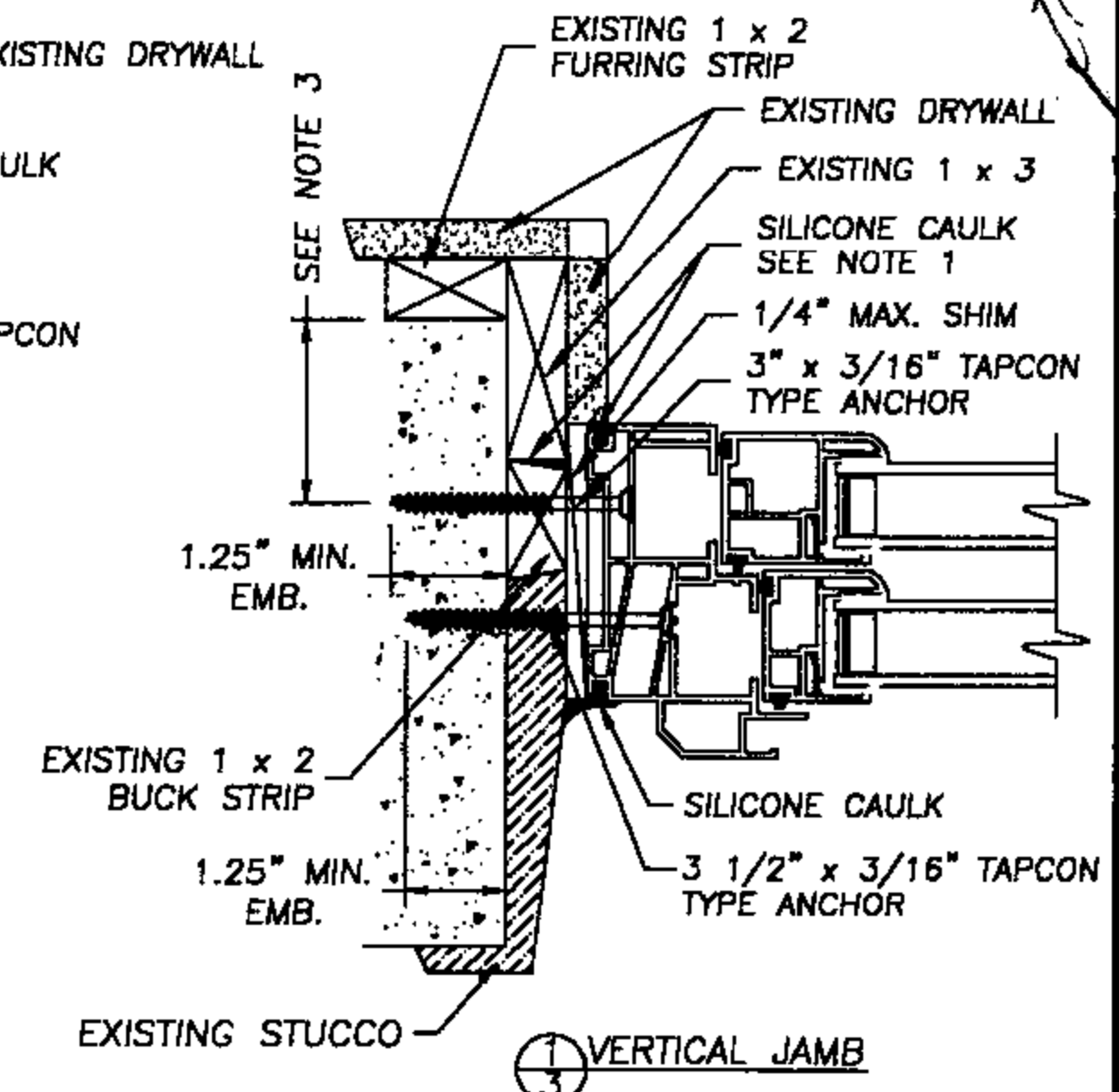
HEAD JAMB



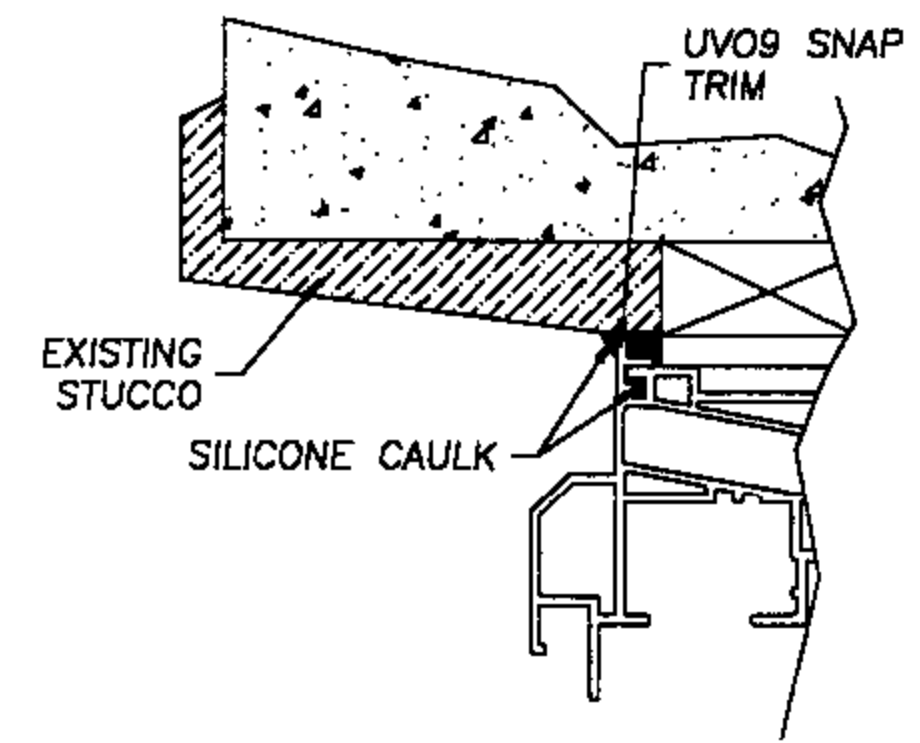
INTERIOR SASH TRACK



SILL



VERTICAL JAMB



DETAIL "A"  
UVO9 SNAP TRIM DETAIL  
SEE NOTE 4

- NOTE:**
1. All interior and exterior perimeter surfaces of the window must be caulked. Caulk between existing 1 x 2 buck strip and existing 1 x 3.
  2. Adjust Tapcon anchor locations, if necessary, to maintain a minimum 2.0" clearance from mortar joints.
  3. A minimum clearance of 2.0" from face of masonry must be maintained.
  4. The UVO9 Snap Trim is used as needed for cosmetic trim only on the head and side jambs. The trim groove on the frame must be filled with silicone before the trim is snapped into place.

August 12, 2002  
Lyndon F. Schmidt  
Florida P. E. No. 43409  
19506 French Lace Drive  
Lutz, FL 33558

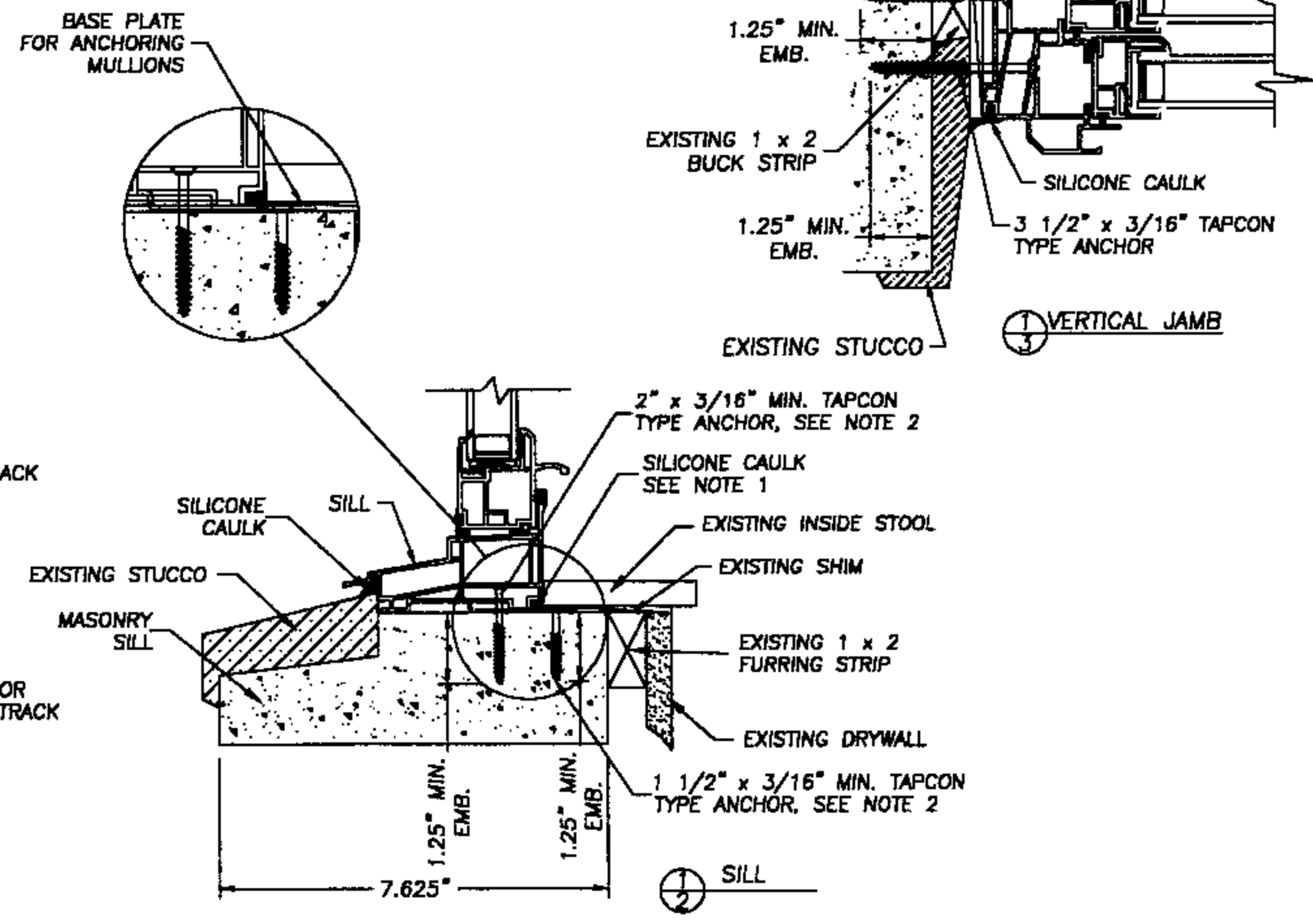
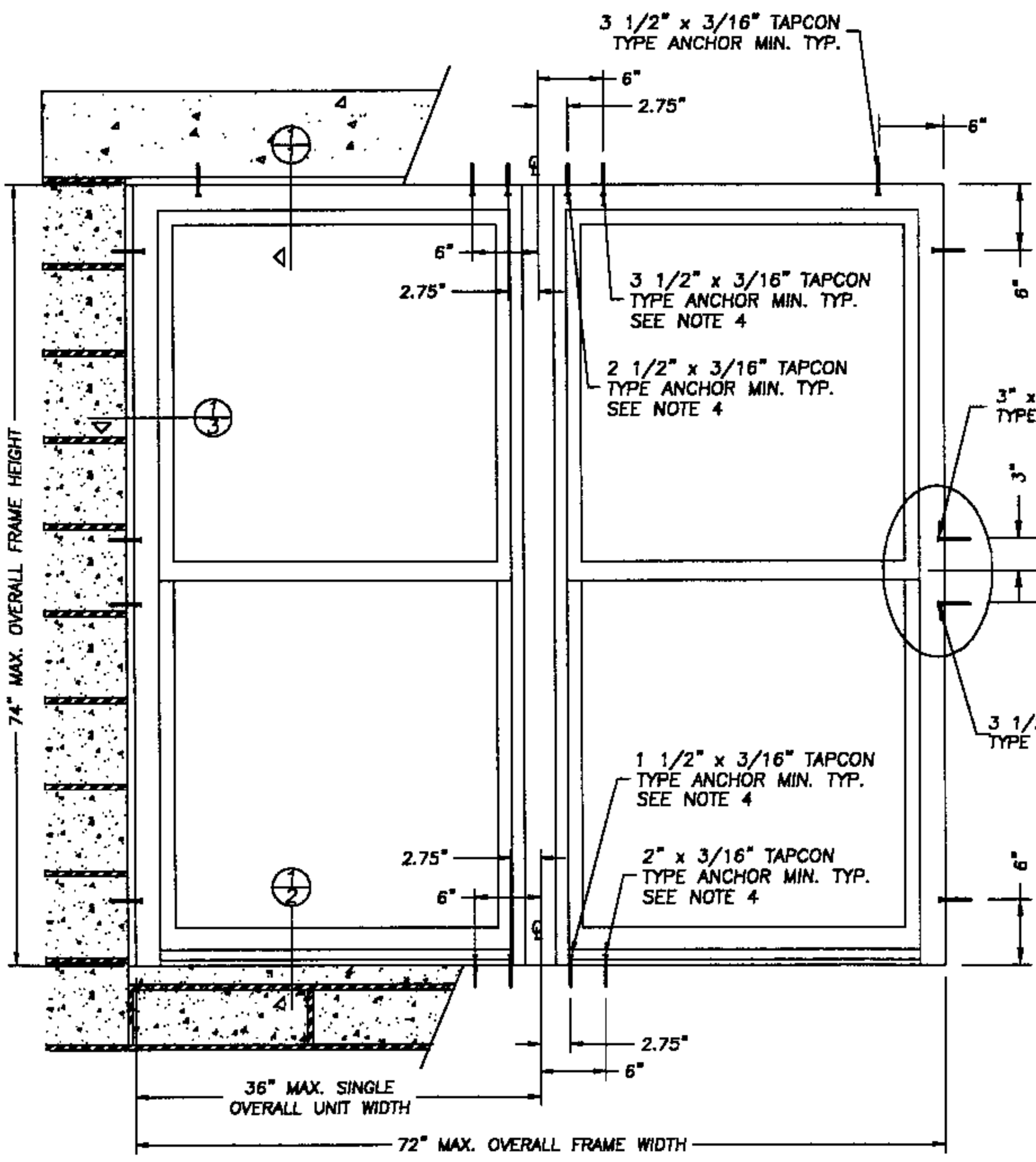
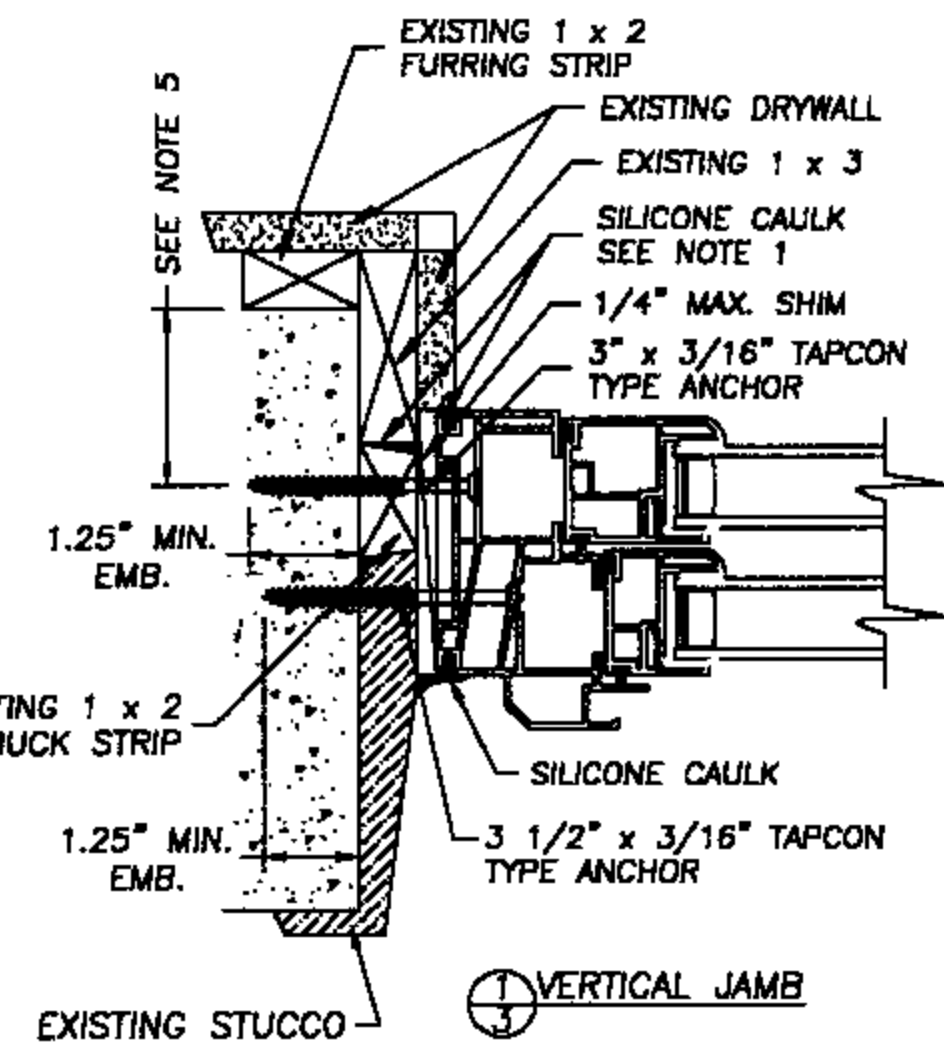
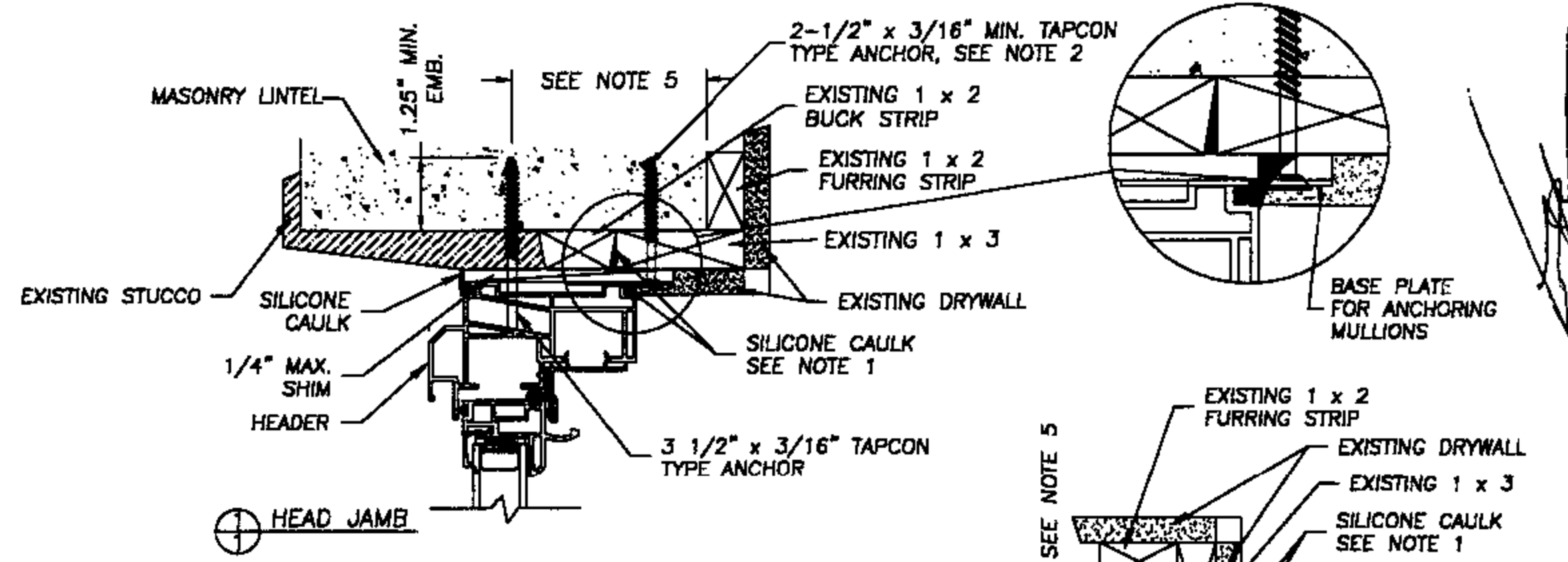
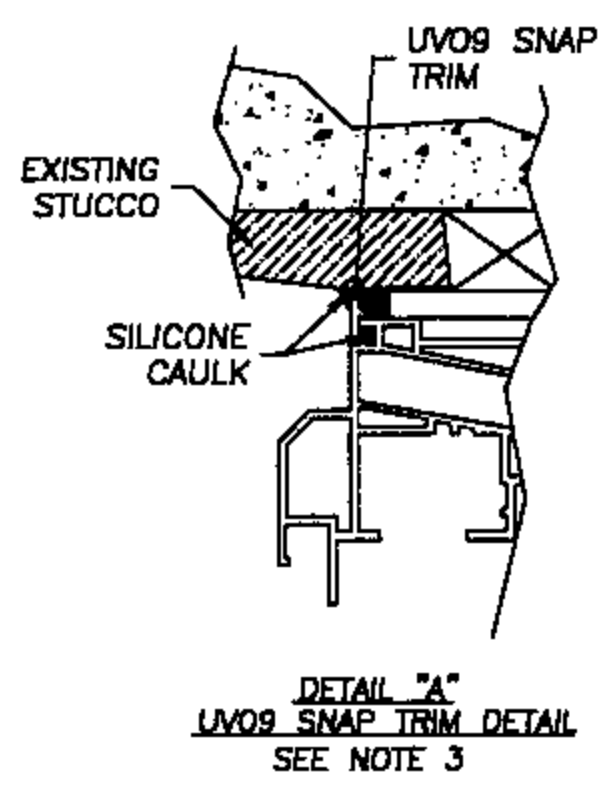
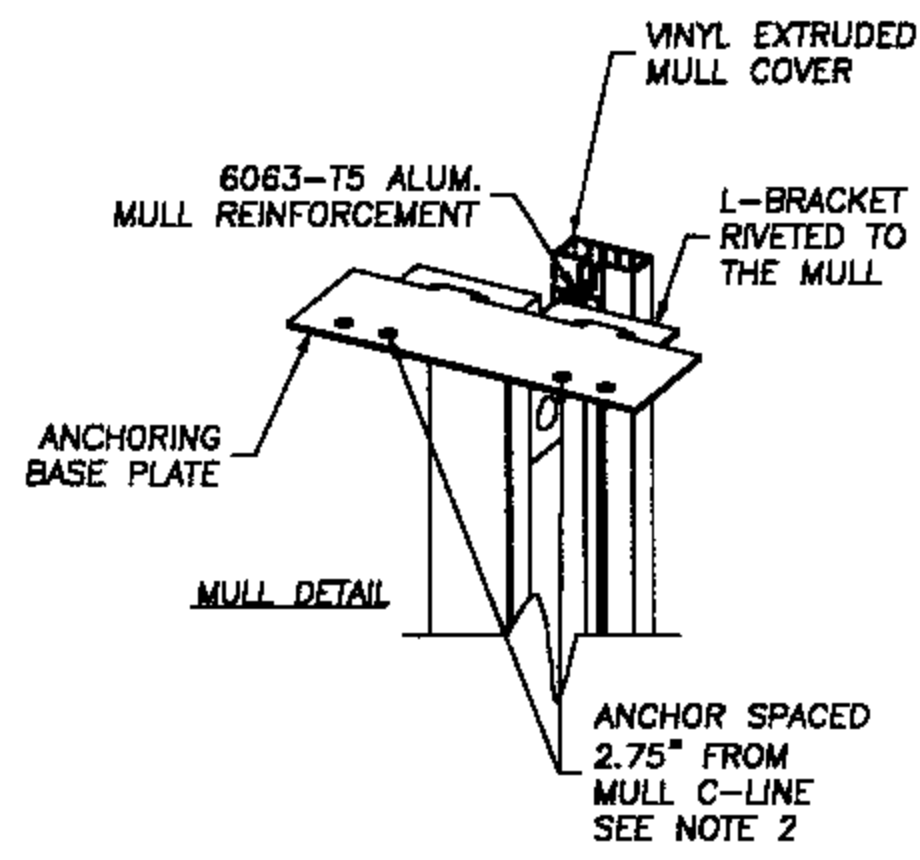
Sears Home Improvement Products  
1024 Florida Central Parkway  
Longwood, FL 32750  
PH. 800.222.5030  
Fax. 407.332.8216



ANCHORING CROSS SECTIONS  
EXISTING OPENING W/EXISTING  
1X BUCK STRIP TO MASONRY  
VINYL DOUBLE HUNG WINDOW

**RW** BUILDING  
CONSULTANTS, INC.  
813.659.9197

DATE: 06/24/02  
SCALE: N.T.S.  
DWG. BY: WLN  
CHK. BY: RW  
DRAWING NO.:  
SR-101-OC  
SHEET 2 OF 3



- NOTE:**
1. All interior and exterior perimeter surfaces of the window must be caulked. Caulk between existing 1 x 2 buck strip and existing 1 x 3.
  2. The anchor screw at 2.75" from the mullion center is through the mullion anchoring plate. The anchor screw at 6" from the mullion center is through the window frame.
  3. The UVO9 Snap Trim is used as needed for cosmetic trim only on the head and side jambs. The trim groove on the frame must be filled with silicone before the trim is snapped into place.
  4. Single unit overall width, not to exceed 36" x 74" in a twin application.
  5. A minimum clearance of 2.0" from face of masonry must be maintained.

August 12, 2002  
 Lyndon F. Schmidt  
 Florida P. E. No. 43409  
 19506 French Lace Drive  
 Lutz, FL 33558

Sears Home Improvement Products  
 1024 Florida Central Parkway  
 Longwood, FL 32750  
 PH: 800.222.5030  
 Fax: 407.332.8216  
**SEARS**

ANCHORING CROSS SECTIONS  
 FOR 1 x BUCK TO MASONRY  
 DOUBLE HUNG  
 TWIN MULLED VINYL WINDOW

**RW** BUILDING  
 CONSULTANTS, INC.  
 813.659.9197

DATE: 6/24/02  
 SCALE: N.T.S.  
 DWG. BY: WLN  
 CHK. BY: R.W.  
 DRAWING NO.: SR-101-OC  
 SHEET 3 OF 3