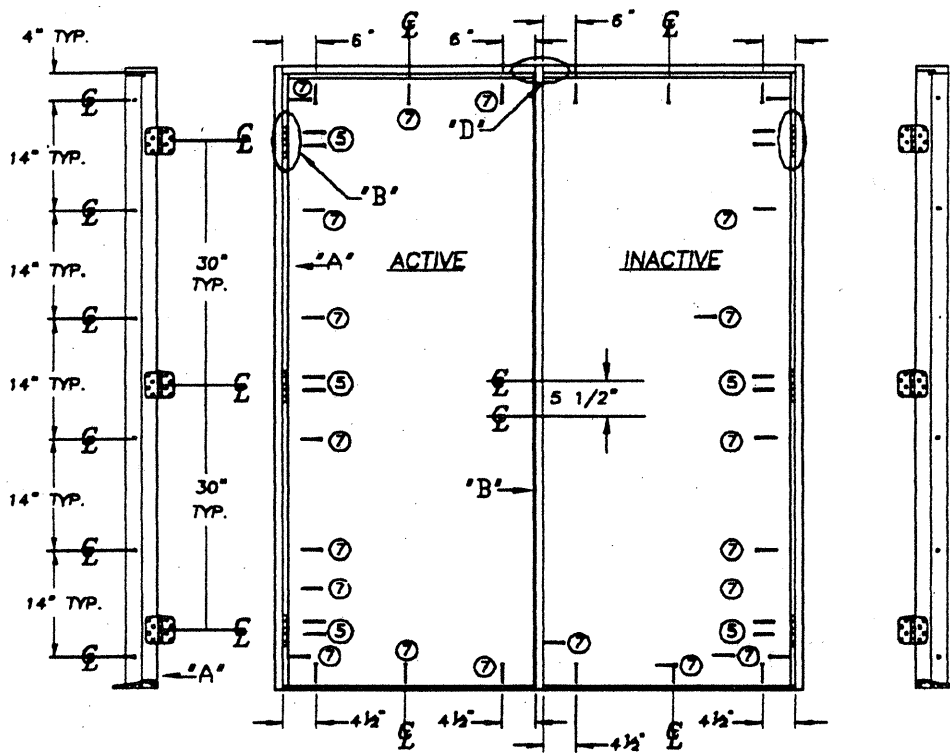
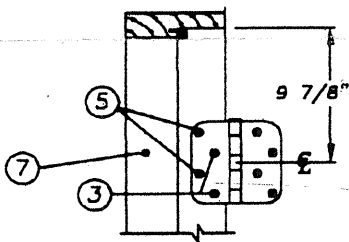


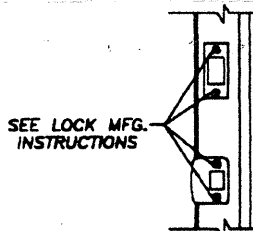
FINAL ANCHORING OF A WOOD FRAME UP TO 6'0" X 6'8"
DOUBLE INSWING UNIT
PRODUCT ACCEPTANCE No.: DDI224



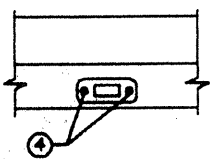
SCREW SCHEDULE	
①	#10 X 5/8" PHILLIPS FLAT HEAD
②	#10 X 1 3/4" PHILLIPS FLAT HEAD
③	#10 X 2" PHILLIPS FLAT HEAD
④	#10 X 3" PHILLIPS FLAT HEAD



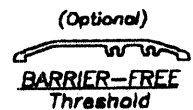
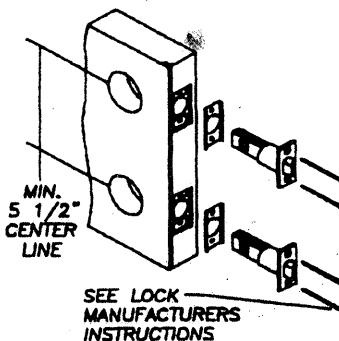
"B" HINGE DETAIL



"C" LATCH DETAIL



"D" ASTRAGAL PLATE



Product Acceptance No: DDI-224					
Size: up to 6'0 x 6'8	Inswing (wood jamb)		Configuration: XX		
	4'0	4'8	5'0	5'4	6'0
Double Opaque	+74 -82	+64 -70	+60 -66	+56 -61	+50 -55
Double Glazed (Door does not meet Missile Impact) Test # 210-2024, 210-1993	+74 -74	+64 -64	+60 -60	+56 -56	+50 -50
	Mfg. by: Nan Ya Plastics / Plastpro			Livingston, NJ 07039	