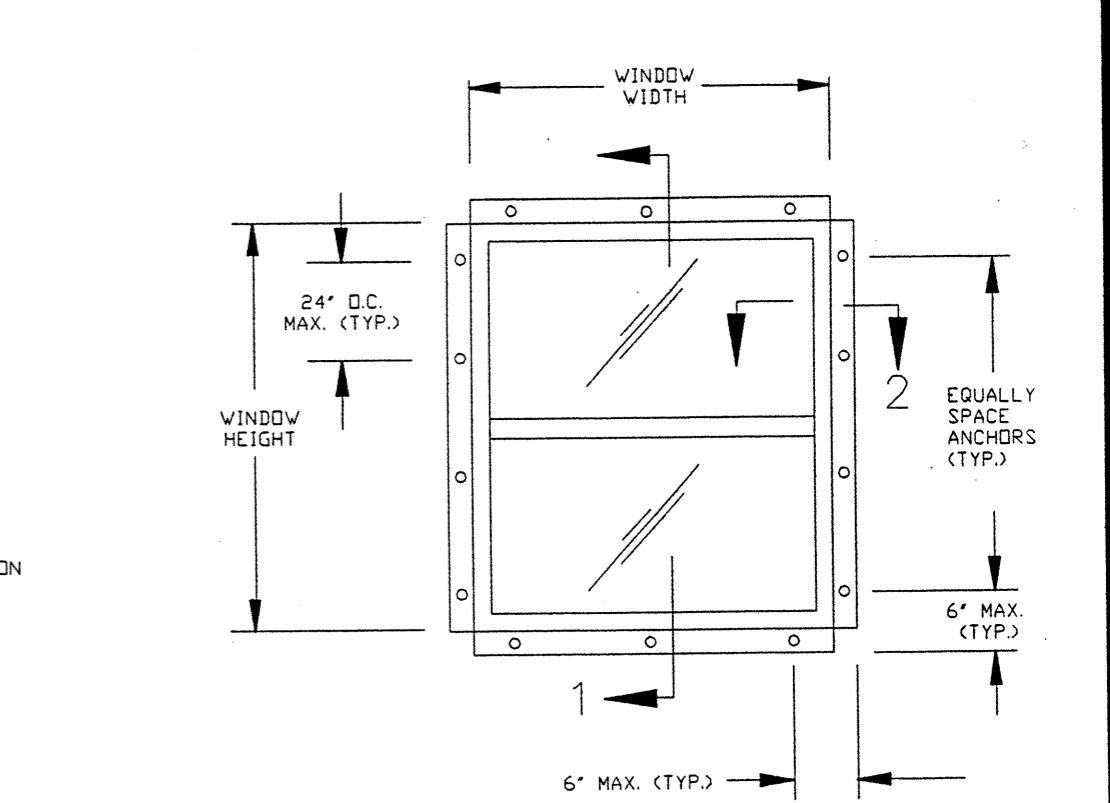
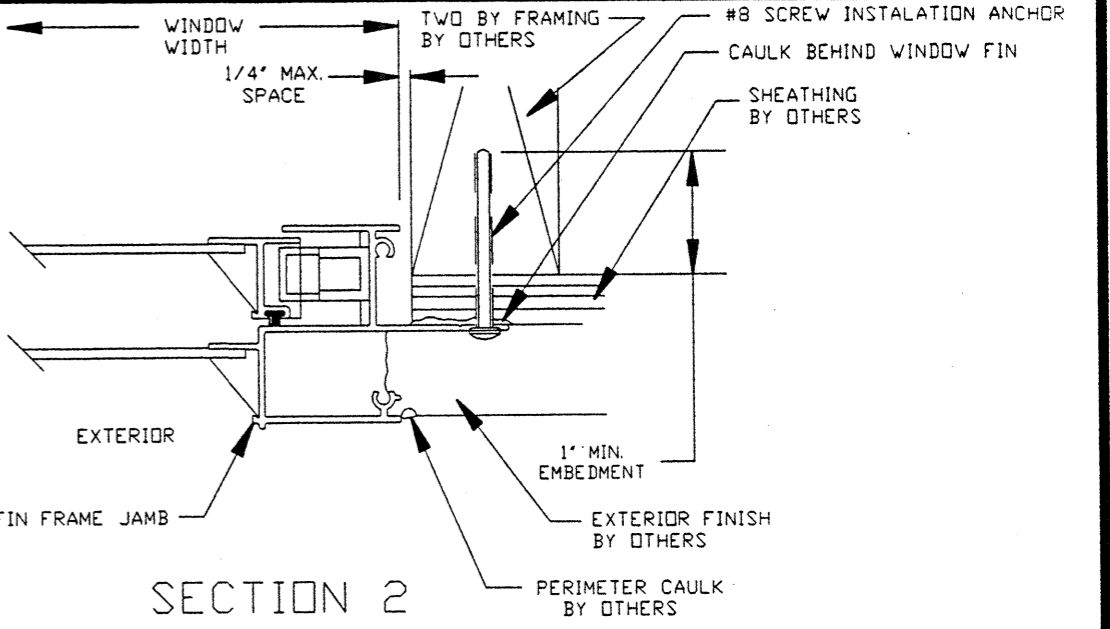
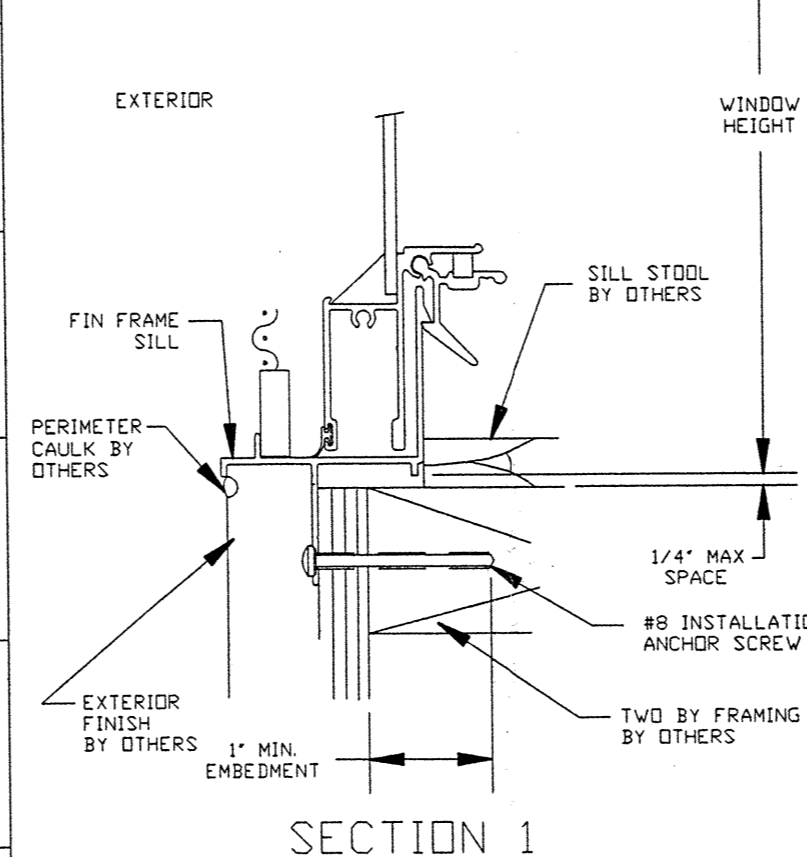
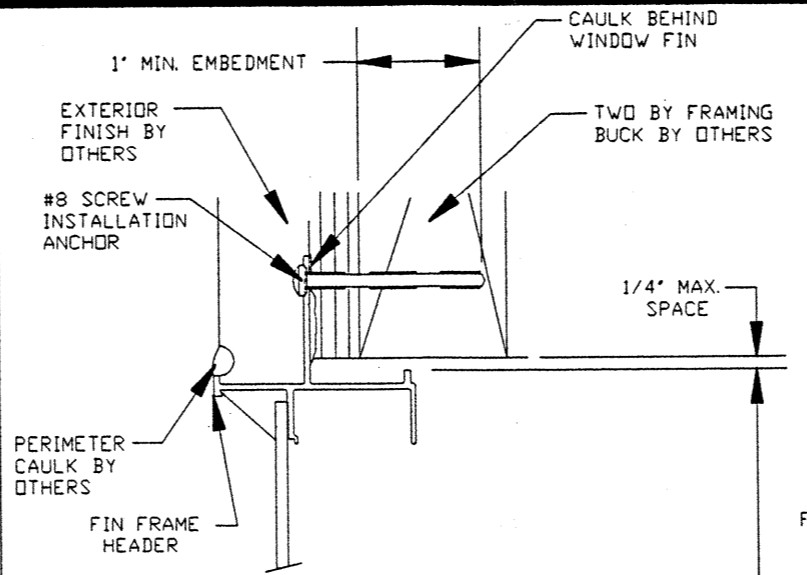


ANCHOR QUANTITY CHART				
CALL SIZE	WINDOW SIZE	UP TO 70psf		
		HEAD	SILL	@ EA. JAMBS
2024	23 7/8 x 27 1/2	2	2	2
2030	23 7/8 x 35 1/2	2	2	2
2038	23 7/8 x 43 1/2	2	2	2
2044	23 7/8 x 51 1/2	2	2	3
2050	23 7/8 x 59 1/2	2	2	3
2060	23 7/8 x 71 1/2	2	2	4
2070	23 7/8 x 83 1/2	2	2	4
2080	23 7/8 x 95 1/2	2	2	5
2424	27 7/8 x 27 1/2	2	2	2
2430	27 7/8 x 35 1/2	2	2	2
2438	27 7/8 x 43 1/2	2	2	2
2444	27 7/8 x 51 1/2	2	2	3
2450	27 7/8 x 59 1/2	2	2	3
2460	27 7/8 x 71 1/2	2	2	4
2470	27 7/8 x 83 1/2	2	2	4
2480	27 7/8 x 95 1/2	2	2	5
2824	31 7/8 x 27 1/2	2	2	2
2830	31 7/8 x 35 1/2	2	2	2
2838	31 7/8 x 43 1/2	2	2	3
2844	31 7/8 x 51 1/2	2	2	3
2850	31 7/8 x 59 1/2	2	2	3
2860	31 7/8 x 71 1/2	2	2	4
2870	31 7/8 x 83 1/2	2	2	4
2880	31 7/8 x 95 1/2	2	2	5
3024	35 7/8 x 27 1/2	2	2	2
3030	35 7/8 x 35 1/2	2	2	2
3038	35 7/8 x 43 1/2	2	2	3
3044	35 7/8 x 51 1/2	2	2	3
3050	35 7/8 x 59 1/2	2	2	3
3060	35 7/8 x 71 1/2	2	2	4
3070	35 7/8 x 83 1/2	2	2	4
3080	35 7/8 x 95 1/2	2	2	5
3424	39 7/8 x 27 1/2	3	3	2
3430	39 7/8 x 35 1/2	3	3	2
3438	39 7/8 x 43 1/2	3	3	3
3444	39 7/8 x 51 1/2	3	3	3
3450	39 7/8 x 59 1/2	3	3	3
3460	39 7/8 x 71 1/2	3	3	4
3470	39 7/8 x 83 1/2	3	3	4
3480	39 7/8 x 95 1/2	3	3	5
3824	43 7/8 x 27 1/2	3	3	2
3830	43 7/8 x 35 1/2	3	3	2
3838	43 7/8 x 43 1/2	3	3	3
3844	43 7/8 x 51 1/2	3	3	3
3850	43 7/8 x 59 1/2	3	3	3
3860	43 7/8 x 71 1/2	3	3	4
3870	43 7/8 x 83 1/2	3	3	4
3880	43 7/8 x 95 1/2	3	3	5
4024	47 7/8 x 26 1/2	3	3	2
4030	47 7/8 x 37 1/2	3	3	2
4038	47 7/8 x 43 1/2	3	3	3
4044	47 7/8 x 51 1/2	3	3	3
4050	47 7/8 x 59 1/2	3	3	3
4060	47 7/8 x 71 1/2	3	3	4
4070	47 7/8 x 83 1/2	3	3	4
4080	47 7/8 x 95 1/2	3	3	5
4424	51 7/8 x 26 1/2	3	3	2
4430	51 7/8 x 37 1/2	3	3	2
4438	51 7/8 x 43 1/2	3	3	3
4444	51 7/8 x 51 1/2	3	3	3
4450	51 7/8 x 59 1/2	3	3	3
4460	51 7/8 x 71 1/2	3	3	4
4470	51 7/8 x 83 1/2	3	3	4
4480	51 7/8 x 95 1/2	3	3	5



- NOTES:
- 1) WINDOW FRAME MATERIAL: ALUMINUM ALLOY 6063.
 - 2) #8 INSTALLATION ANCHORS MUST BE OF SUFFICIENT LTH. TO ACHIEVE MIN. EMBEDMENT OF 1" INTO FRAMING MEMBER. SPACE #8 SCREW ANCHORS 6" FROM CORNERS & 24" O.C. MAX.
 - 3) CAULK BEHIND WINDOW FIN AT HEAD & JAMBS WITH DUO-SIL ADHESIVE CAULK OR APPROVED EQL. APPLICATION OF DUO-SIL ADHESIVE CAULK MUST COMPLY WITH SEALANT MANUFACTURER'S RECOMENDATIONS. DO NOT CAULK BEHIND FIN AT WINDOW SILL.
 - 4) USE LATEX CAULK OR EQUIVALENT FOR PERIMETER SEAL AROUND EXTERIOR OF WINDOW BY OTHERS.
 - 5) IF EXACT WINDOW SIZE IS NOT LISTED IN ANCHOR CHART, USE ANCHOR QUANTITY LISTED WITH NEXT LARGER SIZE.
 - 6) GLASS TYPE AND THICKNESS MAY VARY PER THE REQUIREMENTS OF ASTM E1300 GLASS CHARTS. SINGLE GLAZING IS SHOWN, INSULATING GLASS IS ALSO QUALIFIED.
 - 7) FACTORY PUNCHED HOLES IN FIN JAMB DO NOT REQUIRE INSTALLATION SCREWS. INSTALLATION ANCHORS ARE ONLY REQ'D. THRU FIN AS SHOWN ON THIS SHEET.

KINCO, LTD. 5245 OLD KINGS ROAD JACKSONVILLE, FLORIDA 32254

TITLE: INSTALLATION DETAIL WOOD FRAME OPENING FIN SINGLE HUNG WINDOW M40/50 & M40/50HP

ENGINEER: MANUEL MARTINEZ DRN: BB DATE: 11/06/01

DISCIPLINE: CIVIL SCALE: N.T.S. DWG. NO: KJA0067

FL. REG. NO: 47182 REV. LETTER: SHEET: 1 OF 1