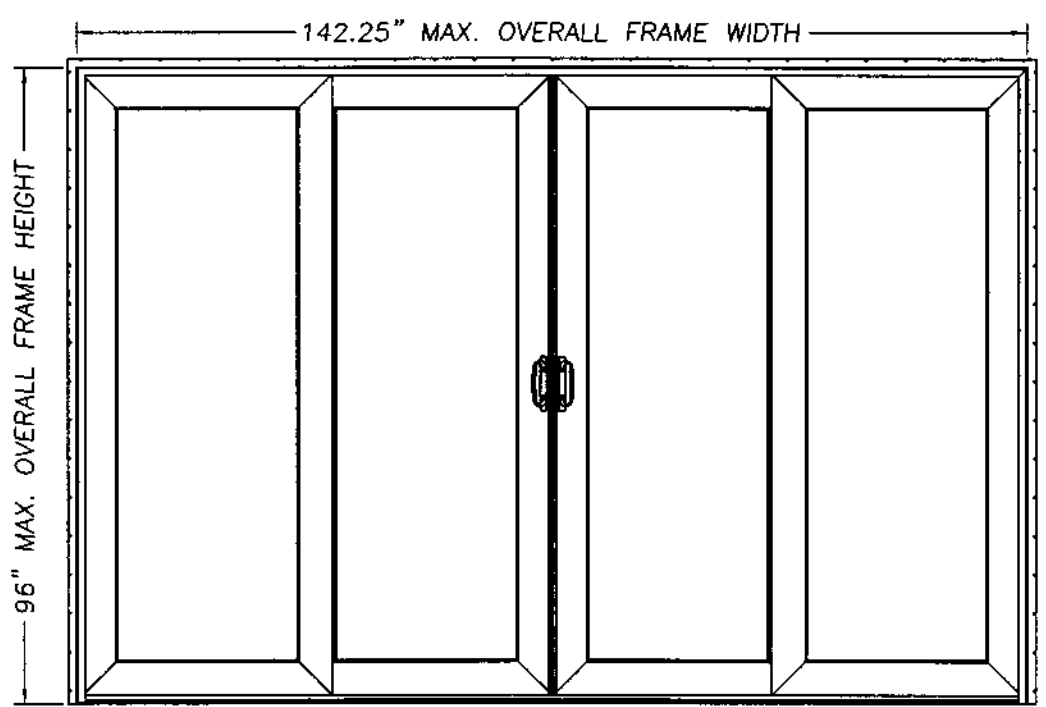
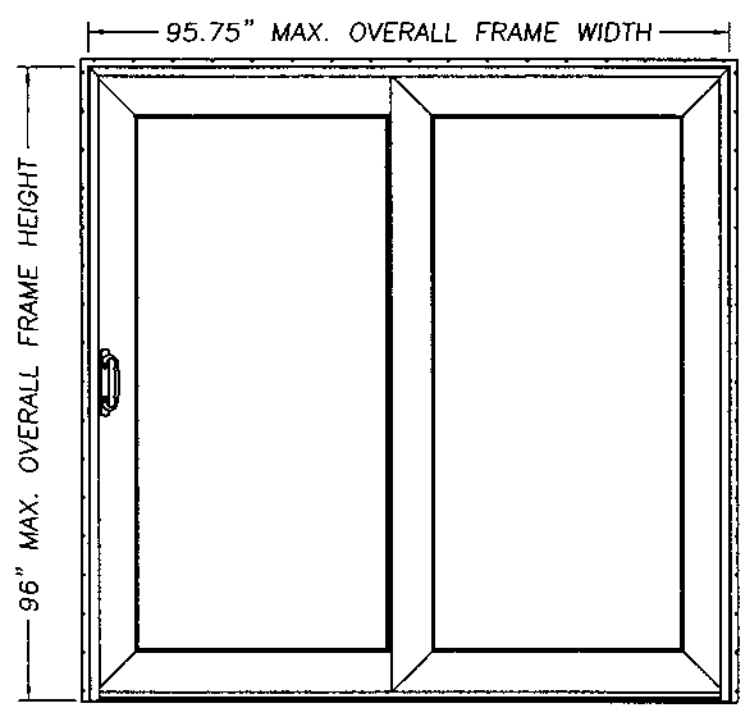
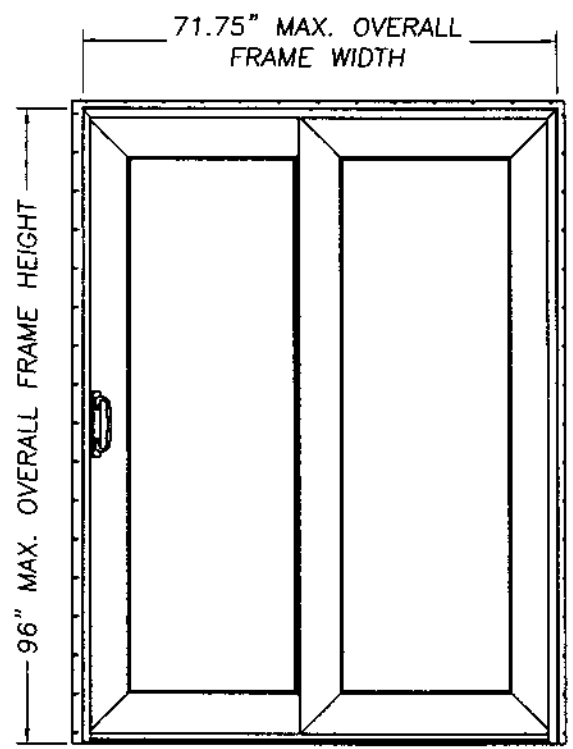
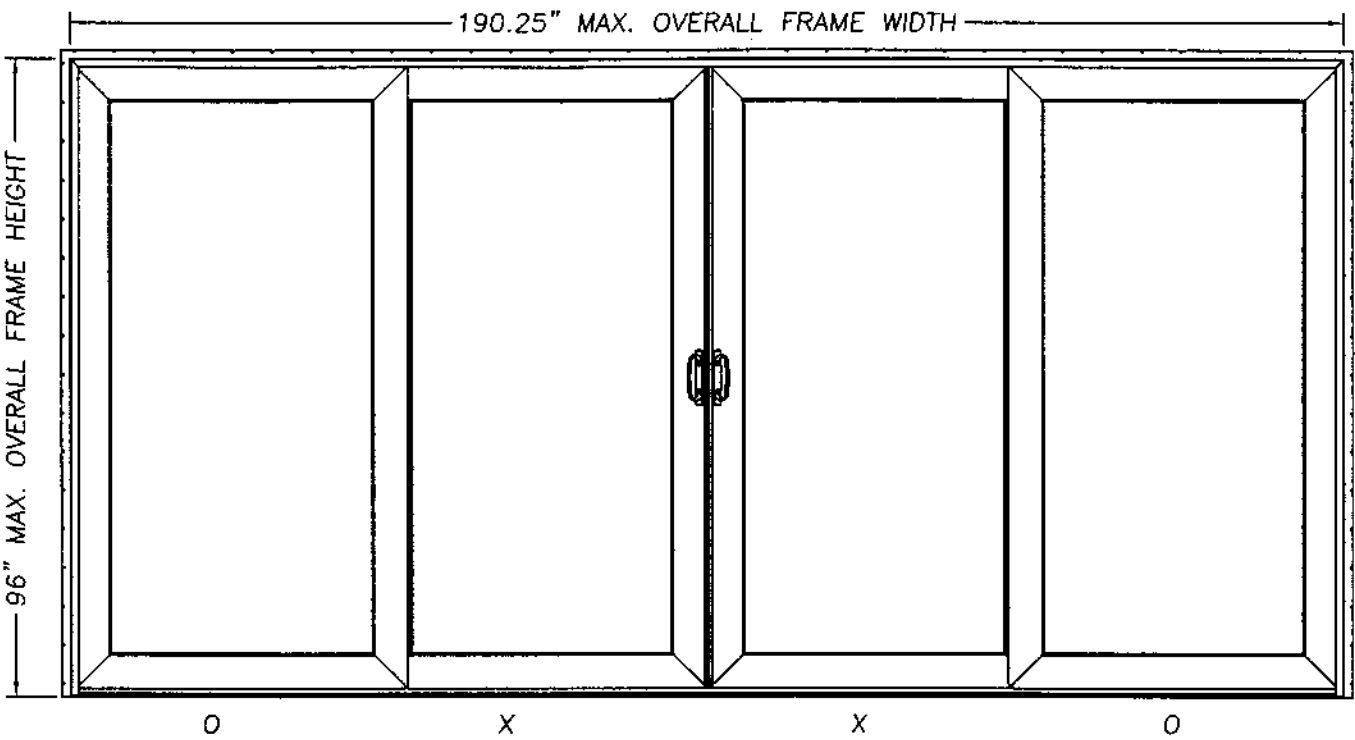


EAGLE WINDOW & DOOR

ALUMINUM CLAD FRENCH SLIDING DOOR W/NAILING FIN

DESIGN PRESSURE RATING
POS. 25.0 NEG. 25.0



DESIGN PRESSURE RATING
POS. 47.0 NEG. 47.0

DESIGN PRESSURE RATING
POS. 35.0 NEG. 35.0

DESIGN PRESSURE RATING
POS. 33.0 NEG. 33.0

GENERAL NOTES

1. THIS PRODUCT IS DESIGNED TO COMPLY WITH THE FLORIDA BUILDING CODE.
2. PRODUCT ANCHORS SHALL BE AS LISTED AND SPACED AS SHOWN ON DETAILS.
3. WHEN THIS PRODUCT IS USED IN AN AREA REQUIRING WINDBORNE DEBRIS PROTECTION, FLORIDA BUILDING CODE APPROVED IMPACT RESISTANT SHUTTERS ARE NOT REQUIRED.
4. MASONRY ANCHORING FOR 2x BUCK SEE SHEET 2 OF 3.
5. FOR ANCHORING TO STUD SEE SHEET 3 OF 3.

PRODUCT DESCRIPTION

1. ALUMINUM CLAD PONDEROSA PINE SLIDING DOOR WITH BLIND MORTISE AND TENON CORNERS.
2. THE HEAD AND SIDE JAMBS ARE ALUMINUM CLAD PONDEROSA PINE WITH MITERED CORNERS.
3. THE THRESHOLD IS A SLOPED EXTRUDED FIBERGLASS SILL.
4. THE GLASS IS 3/4" OVERALL, CONSISTING OF TWO LITES OF 1/8" TEMPERED GLASS AND IS GLAZED WITH FOAM TAPE AND WOOD GLAZING STOPS.
5. ALL UNITS UTILIZE AN EXTRUDED PVC NAILING FIN PRESS FIT INTO THE FRAME.

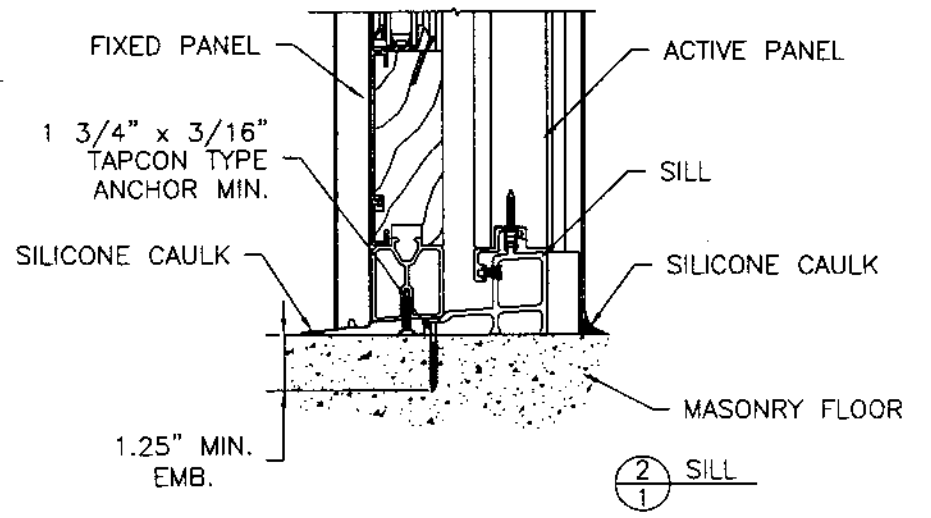
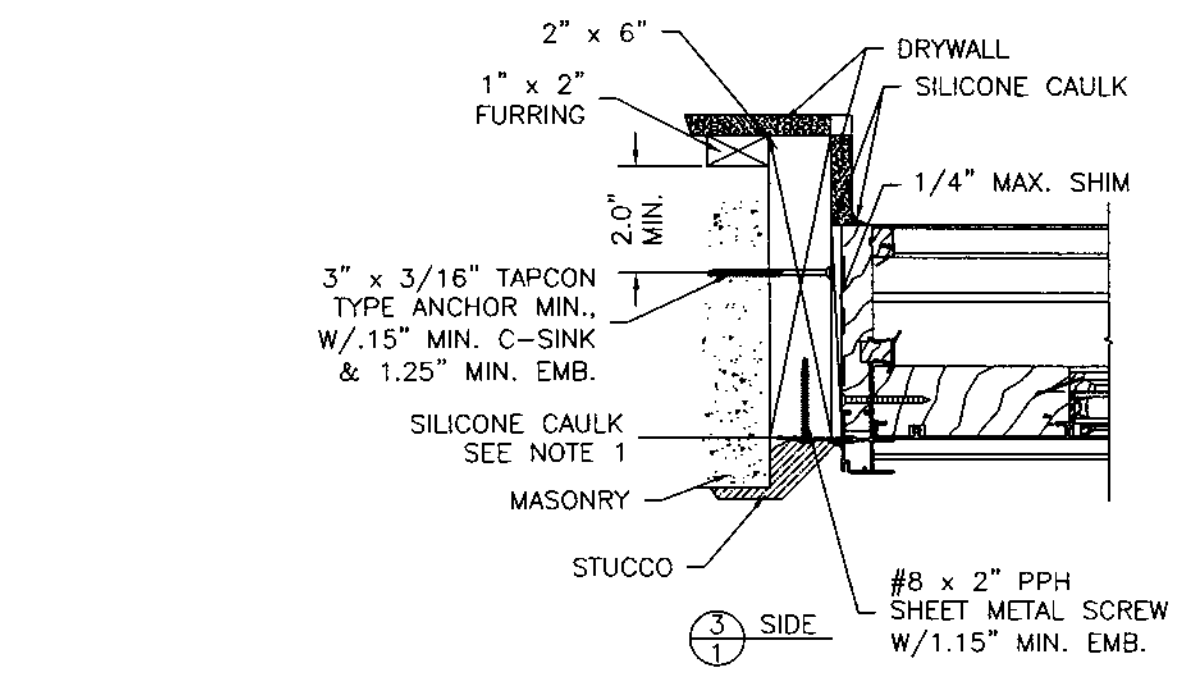
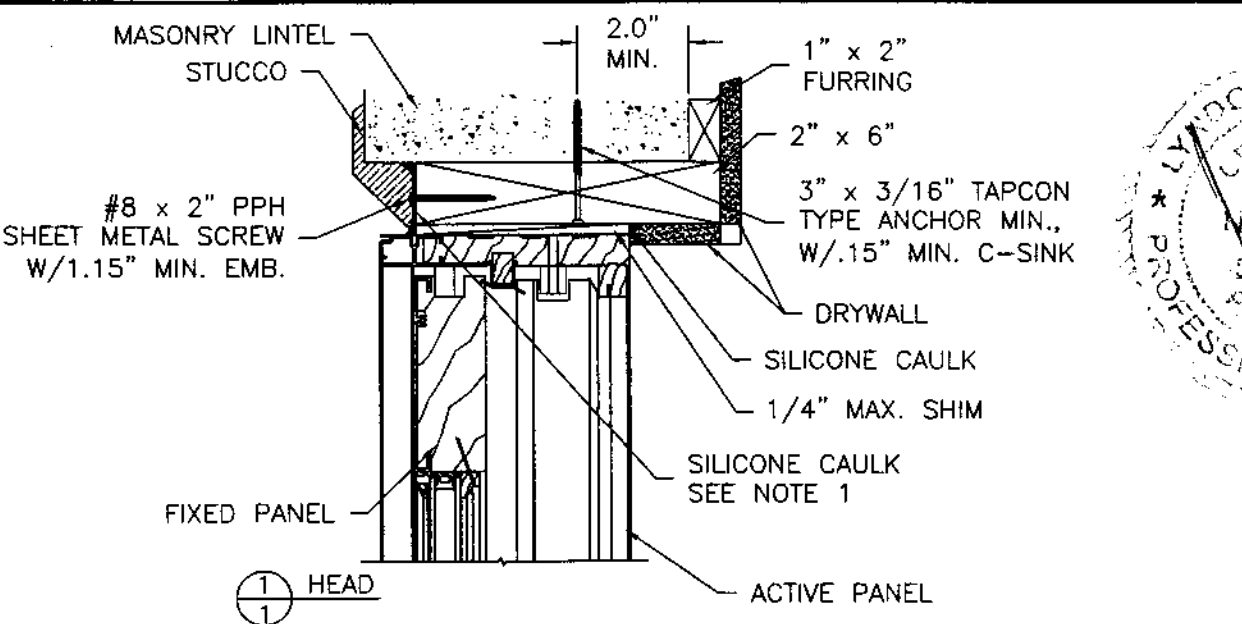
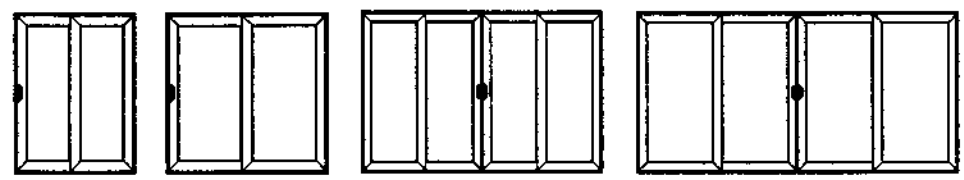
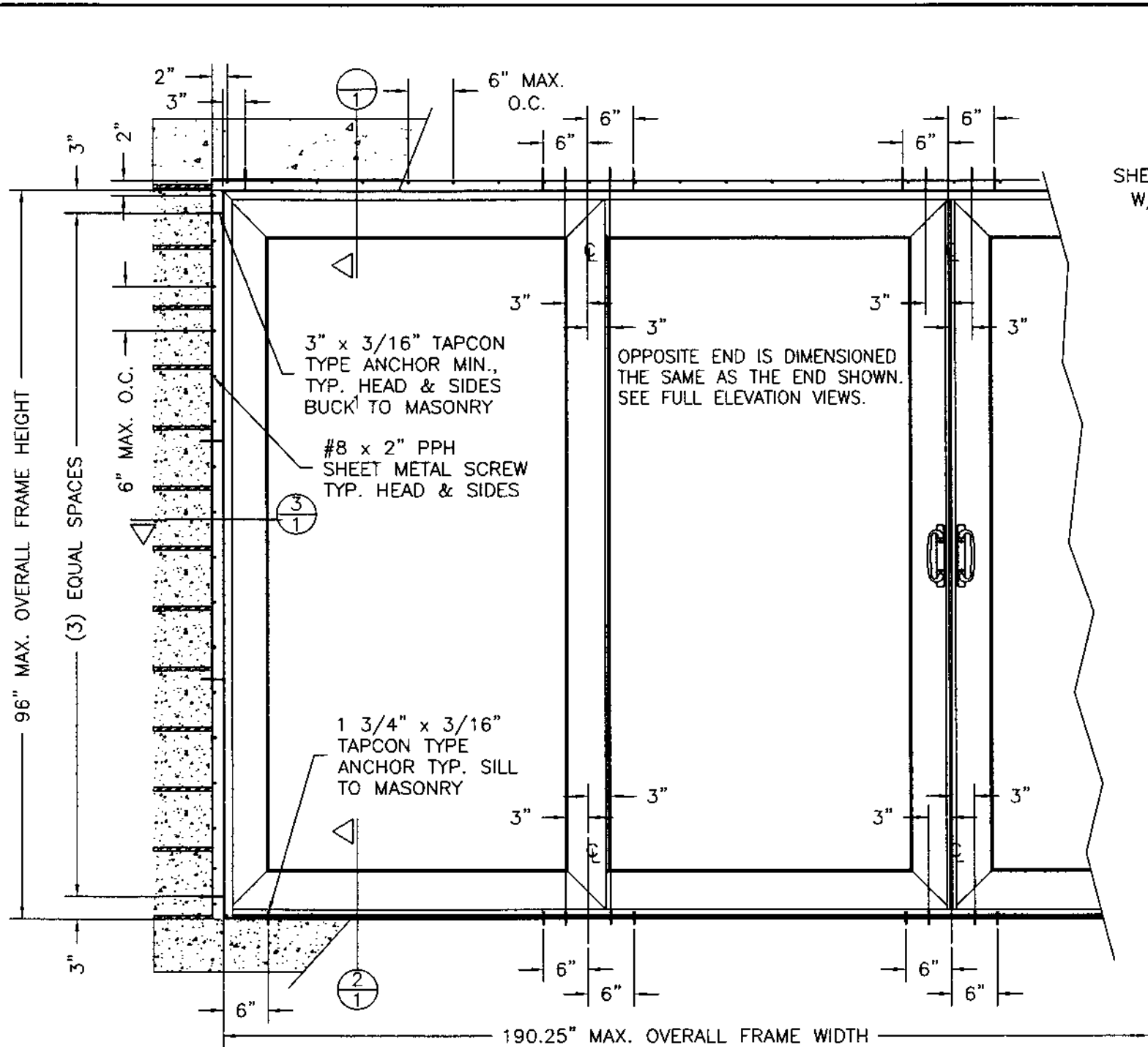
Lyndon P. Schmidt
 Florida P. E. No. 143409
 19506 French Lace Drive Lutz, FL 33558

EAGLE WINDOW & DOOR, INC.
 2045 KERPER BOULEVARD
 DUBUQUE, IA 52004-1072
 PH. 319.556.4408

PRODUCT: GENERAL NOTES & TYPICAL ELEVATIONS
 EAGLE WINDOW & DOOR
 PART OR ASSEMBLY: ALUMINUM CLAD FRENCH SLIDING DOOR

NO.	DATE	BY	REVISIONS

DATE: 09/24/02
 SCALE: N.T.S.
 DWG. BY: TJH
 CHK. BY: RW
 DRAWING NO.: EGL-104-OCF
 SHEET 1 OF 3



September 25, 2002
 Lyndon F. Schmidt
 Florida P.E. No. 48000
 19506 French Lakes Drive
 Lutz, FL 33558

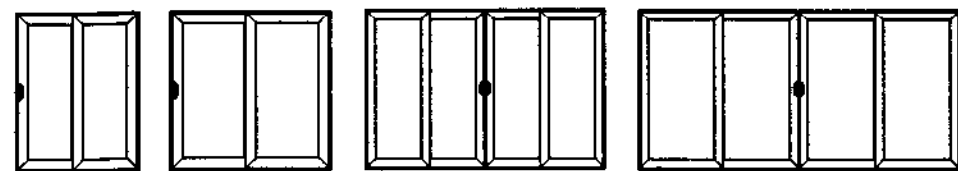
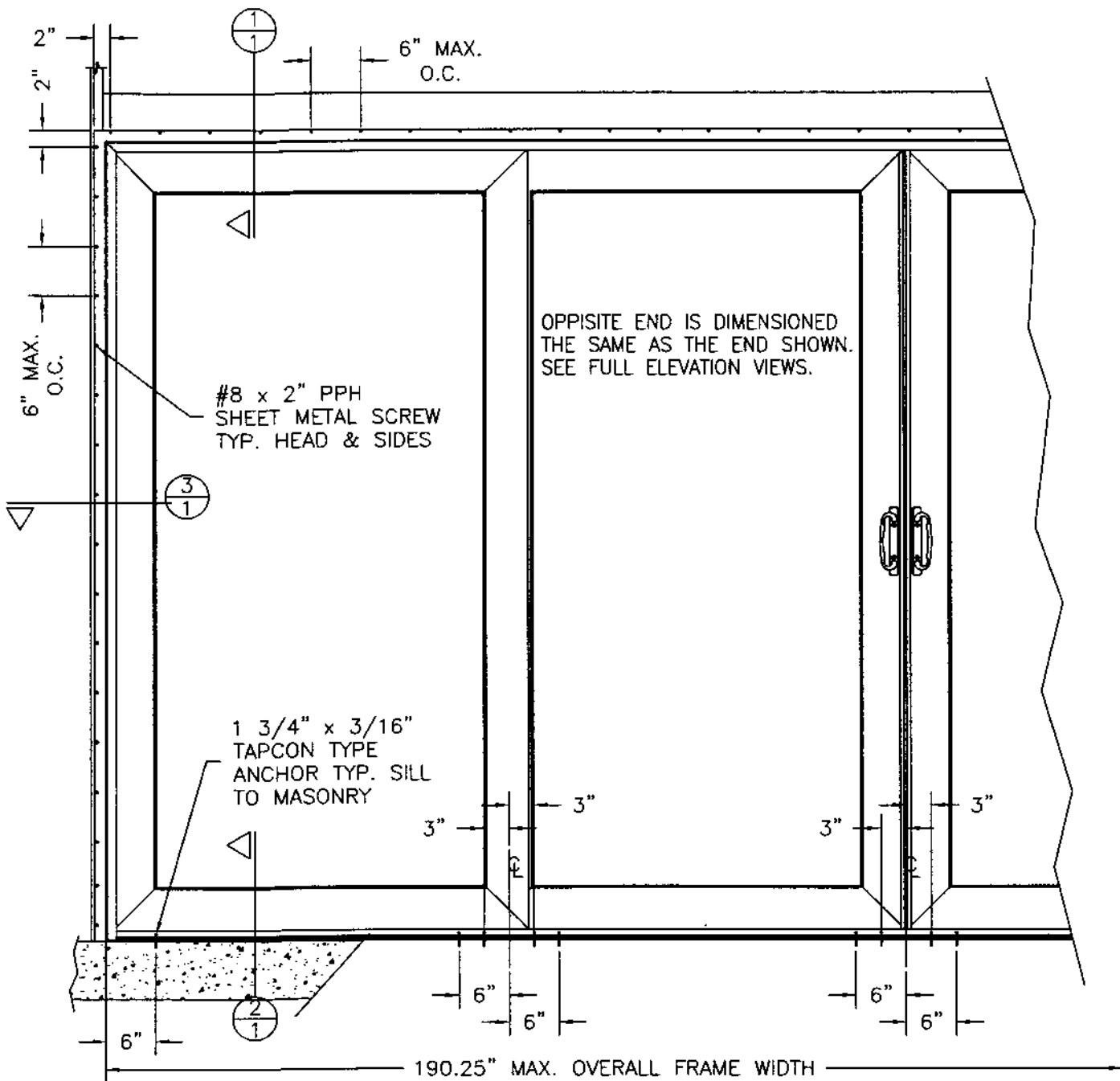
EAGLE WINDOW & DOOR, INC.
 2045 KERPER BOULEVARD
 DUBUQUE, IA 52004-1072
 PH. 319.556.4408

ANCHORING CROSS SECTIONS
 FOR 2X BUCK TO MASONRY
 ALUMINUM CLAD WOOD
 SLIDING FRENCH DOOR

RW BUILDING
 CONSULTANTS, INC.
 813.659.9197

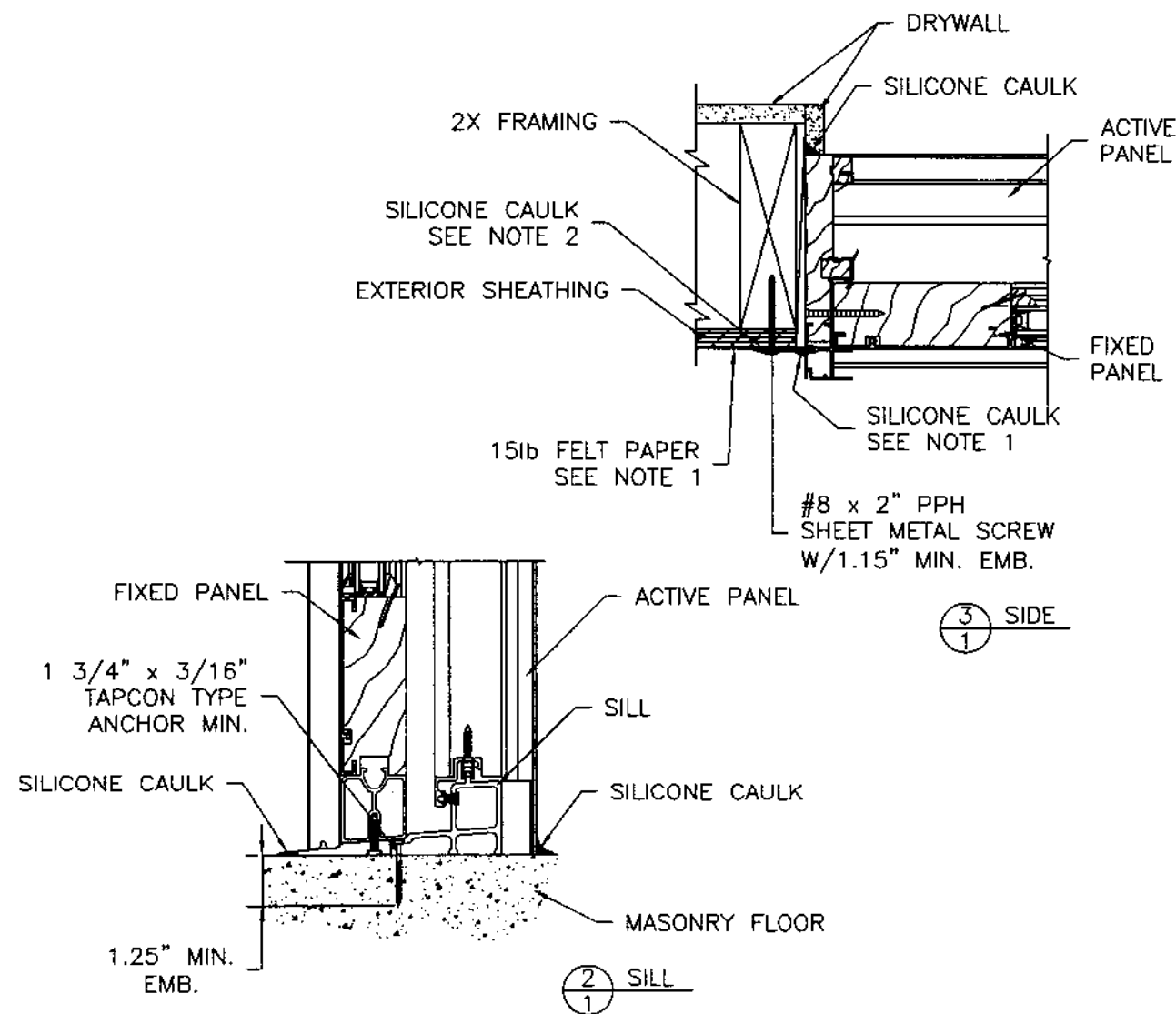
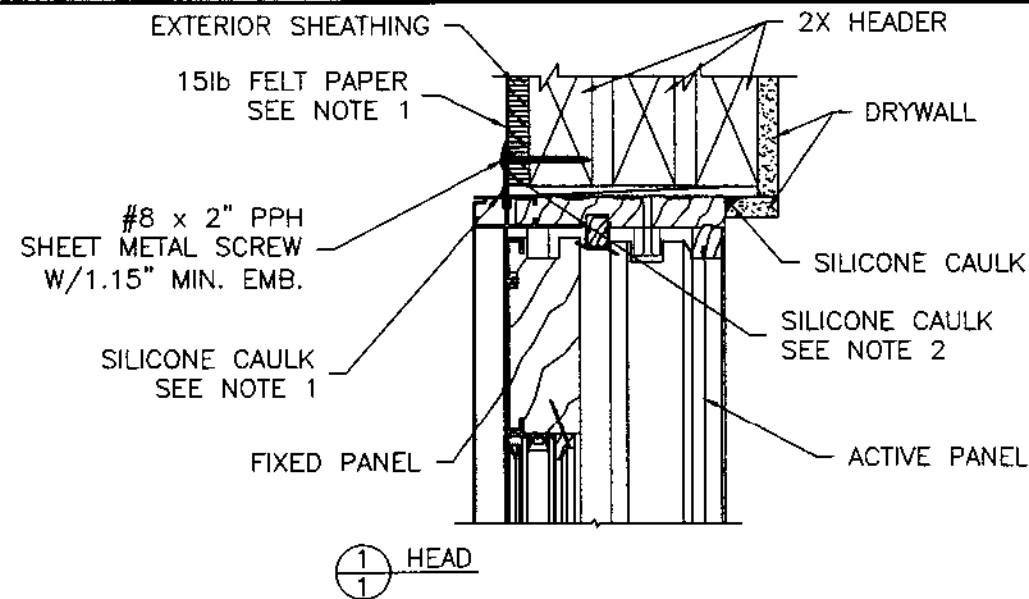
DATE: 09/24/02
 SCALE: N.T.S.
 DWG. BY: TJH
 CHK. BY: RW
 DRAWING NO.: EGL-104-OCF
 SHEET 2 OF 3


- NOTES:**
1. The full perimeter of the window nailing flange must have a heavy bead of caulk applied to the building side before the window is placed in the opening.
 2. Adjust Tapcon anchor locations, if necessary, to maintain a minimum 2.0" clearance from mortar joints.



NOTES:

1. 15lbs. felt must be used as a water barrier. The felt must cover the nailing fin and anchor screw heads. All loose edges of the felt paper must be sealed with silicone caulk.
2. The full perimeter of the window nailing fin must have a heavy bead of caulk applied to the building side before the window is placed in the opening.





 Lyndon F. Schmidt
 Florida P. E. No. 43409
 19506 French Lace Drive
 Lutz, FL 33558

EAGLE WINDOW & DOOR, INC.
 2045 KERPER BOULEVARD
 DUBUQUE, IA 52004-1072
 PH. 319.556.4408

ANCHORING CROSS SECTIONS
 FOR WOOD CONSTRUCTION
 ALUMINUM CLAD WOOD
 SLIDING FRENCH DOOR

RW BUILDING CONSULTANTS, INC. 813.659.9197	
DATE:	09/24/02
SCALE:	N.T.S.
DWG. BY:	TJH
CHK. BY:	RW
DRAWING NO.:	EGL-104-OCF
SHEET	3 of 3