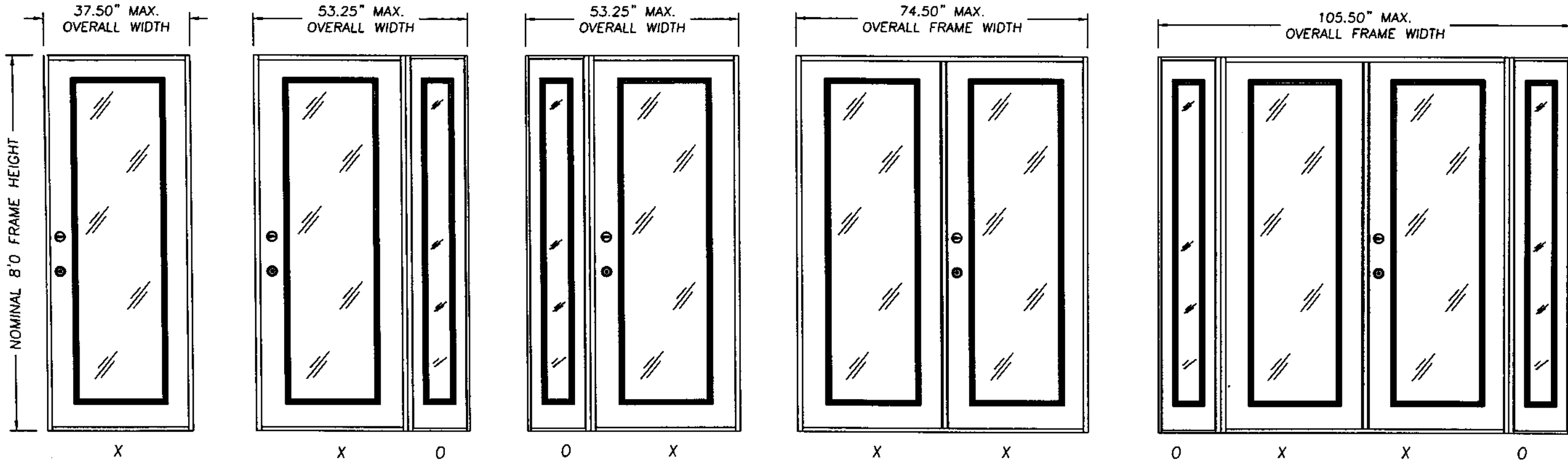


# STANLEY DOOR SYSTEMS®

GLAZED WOOD EDGE / STEEL EDGE INSULATED STEEL DOOR  
OUT-SWING / IN-SWING 8-0 UNITS W/ & W/OUT SIDELITES



DESIGN PRESSURE RATING	
WOOD EDGE OR STEEL EDGE	OUT-SWING / IN-SWING POS. 50.0 NEG. 50.0

DESIGN PRESSURE RATING	
WOOD EDGE OR STEEL EDGE	OUT-SWING / IN-SWING POS. 50.0 NEG. 50.0

DESIGN PRESSURE RATING	
WOOD EDGE OR STEEL EDGE	OUT-SWING / IN-SWING POS. 50.0 NEG. 50.0

WOOD EDGE OR STEEL EDGE	ASTRAGAL TYPE	DESIGN PRESSURE RATING
	WindJamber II Mfg. by Genesis	OUT-SWING / IN-SWING POS. 50.0 NEG. 50.0
	* Alum. Astragal Mfg. by Imperial	OUT-SWING / IN-SWING POS. 44.0 NEG. 44.0


WOOD EDGE OR STEEL EDGE	ASTRAGAL TYPE	DESIGN PRESSURE RATING
	WindJamber II Mfg. by Genesis	OUT-SWING / IN-SWING POS. 50.0 NEG. 50.0
	* Alum. Astragal Mfg. by Imperial	OUT-SWING / IN-SWING POS. 44.0 NEG. 44.0

### GENERAL NOTES

- THIS PRODUCT IS DESIGNED TO COMPLY WITH THE FLORIDA BUILDING CODE.
- PRODUCT ANCHORS SHALL BE AS LISTED AND SPACED AS SHOWN ON DETAILS.
- THE SIDELITES REQUIRE WINDBORNE DEBRIS EXTERNAL PROTECTION AS DESCRIBED IN SECTION 1626.1 OF THE FLORIDA BUILDING CODE WHEN USED IN WINDBORNE DEBRIS AREAS.
- FOR INSWING MASONRY ANCHORING SEE SHEET 2 OF 4.
- FOR OUTSWING MASONRY ANCHORING SEE SHEET 3 OF 4.
- FOR INSWING/OUTSWING WOOD STUD ANCHORING SEE SHEET 4 OF 4.

### PRODUCT DESCRIPTION

- THE DOOR FACE SHEETS ARE 24 GA. (0.021") MIN. THICKNESS.
- WOOD EDGE DOORS, THE STILES AND RAILS ARE WOOD CONSTRUCTION WITH THE LATCH STILE BEING LVL.
- STEEL EDGE DOORS, THE STILES AND RAILS ARE A ROLLED FORMED STEEL EDGE FROM .028" THK. GALV. STEEL AND MECHANICALLY INTERLOCKED.
- THE INTERIOR DOOR CAVITY IS URETHANE.
- THE SIDELITE GLAZING IS 0.5" or 1" INSULATED TEMPERED GLASS BY ODL or TRINITY.
- THE WOOD JAMBS ARE A MIN. 4-9/16".
- THE THRESHOLD IS AN ALUMINUM BUMP FACE TYPE (OUTSWING) OR AN ALUMINUM SADDLE TYPE (INSWING).
- \*8. THE IMPERIAL ALUMINUM ASTRAGAL UTILIZES A 19.0" LONG x 0.313" DIA. STEEL ROD WITH A 1.0" WIDE x 4.5" LONG (min 2" engagement) ALUMINUM SLIDE ROD REINFORCEMENT BAR TOP AND BOTTOM.
- ALL LATCHBOLT AND DEADBOLT HARDWARE MUST BE CYLINDRICAL GRADE II WITH A 161 EDGE PREP AND A MINIMUM 1.0" DEADBOLT THROW.

  
 SEPTEMBER 5, 2002  
 Lyndon F. Schmidt  
 Florida P. E. No. 43409  
 19506 French Lace Drive Lutz, FL 33558

**STANLEY**

STANLEY DOOR SYSTEMS  
7300 REAMES ROAD  
CHARLOTTE, NC 28216  
PH. (704) 921-3470

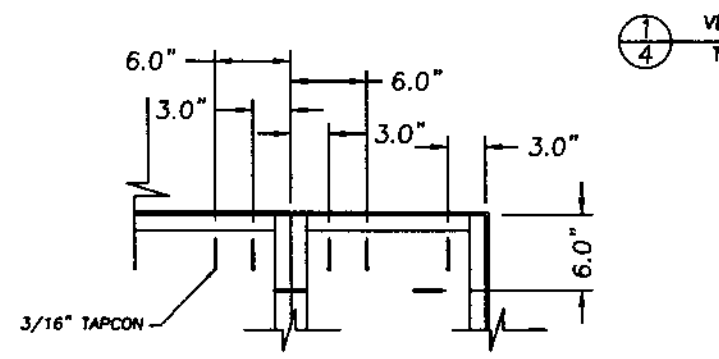
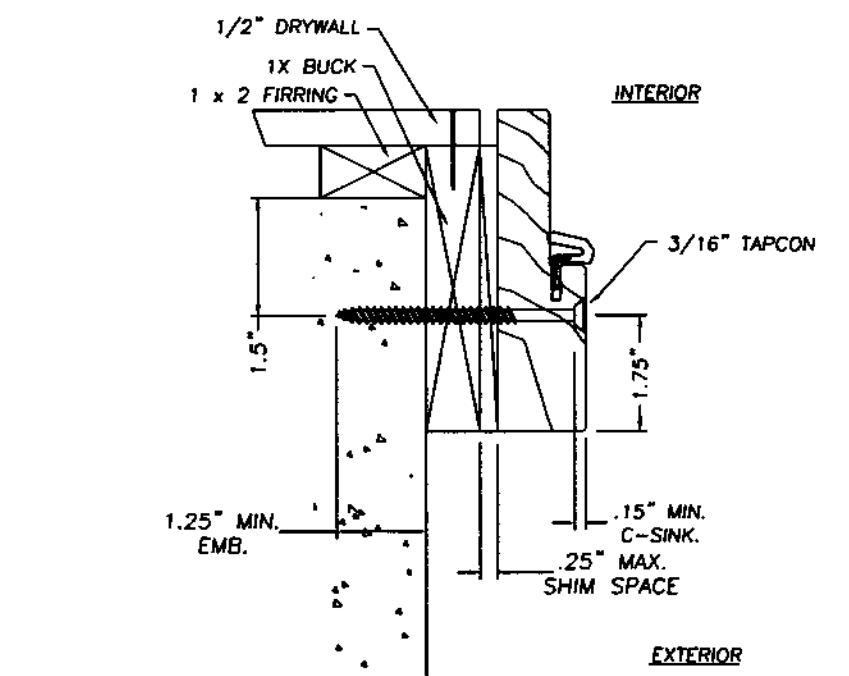
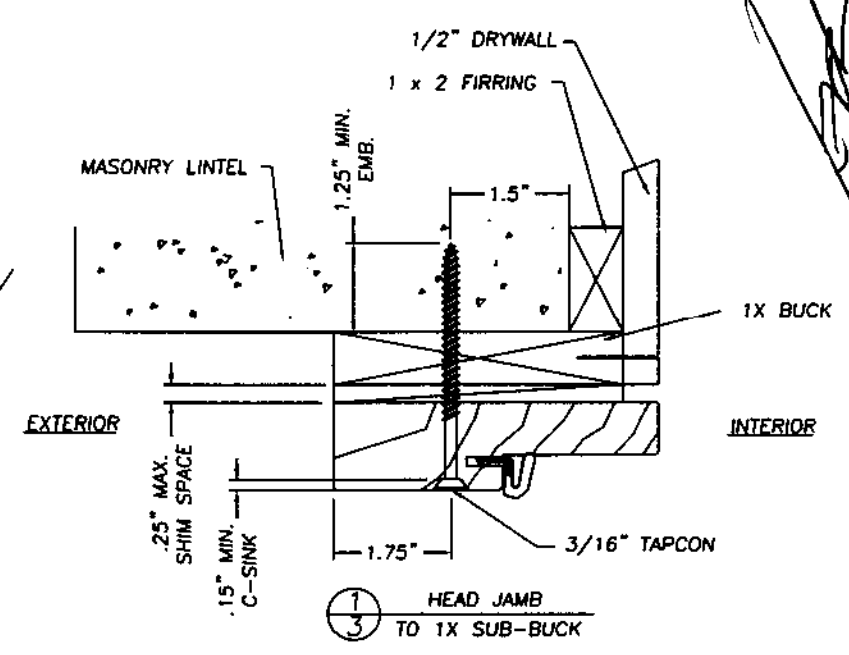
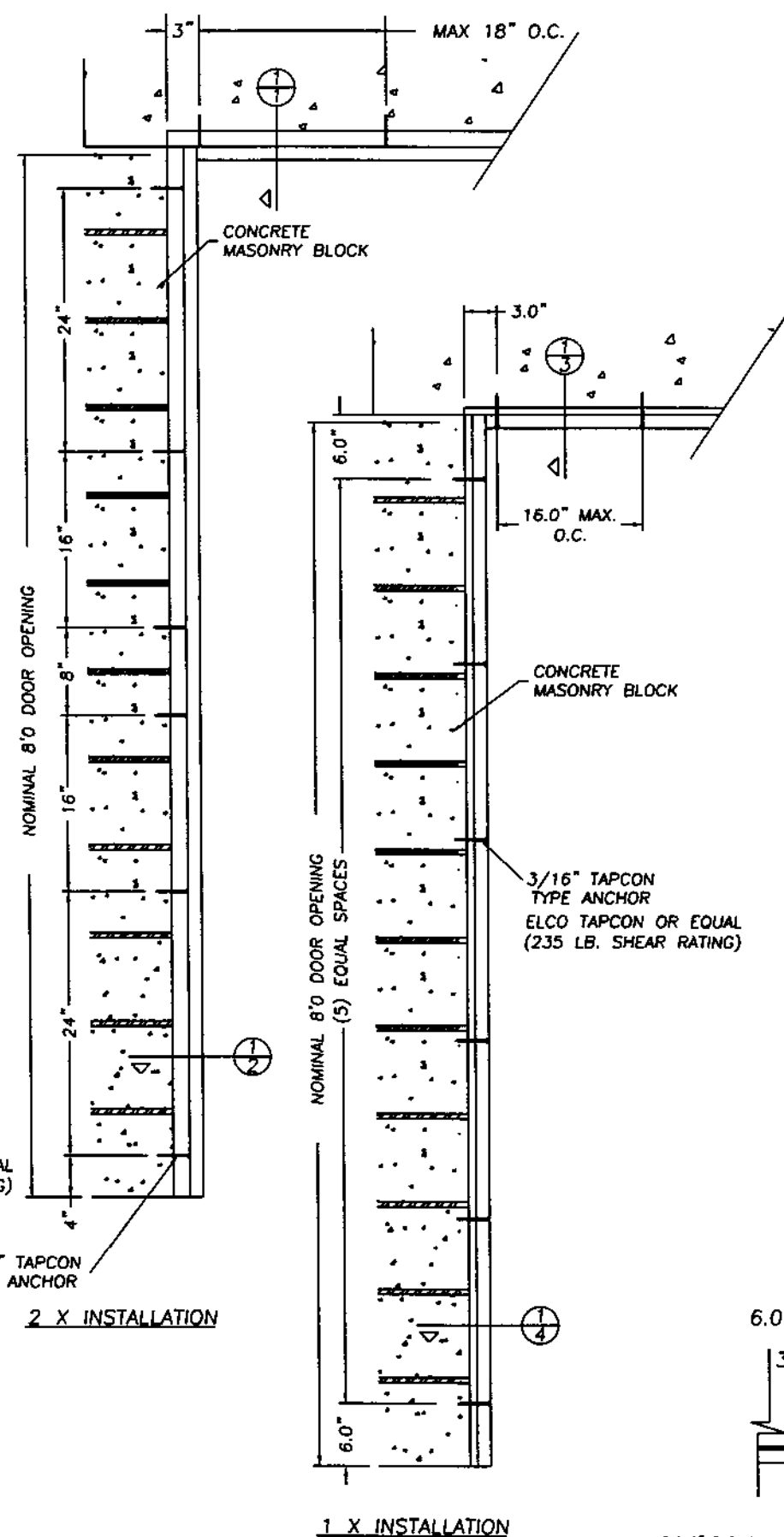
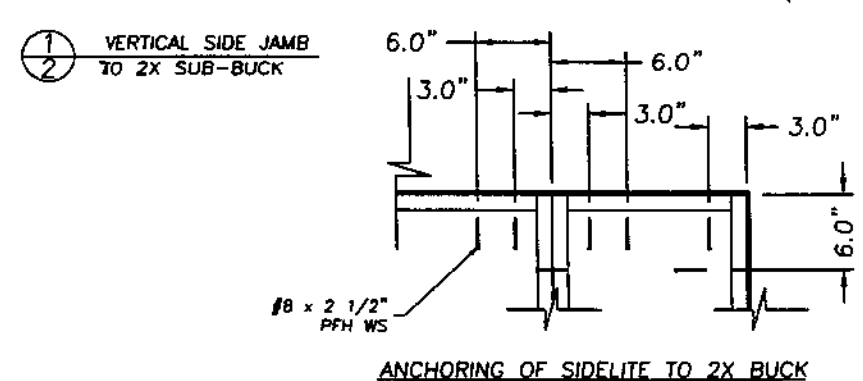
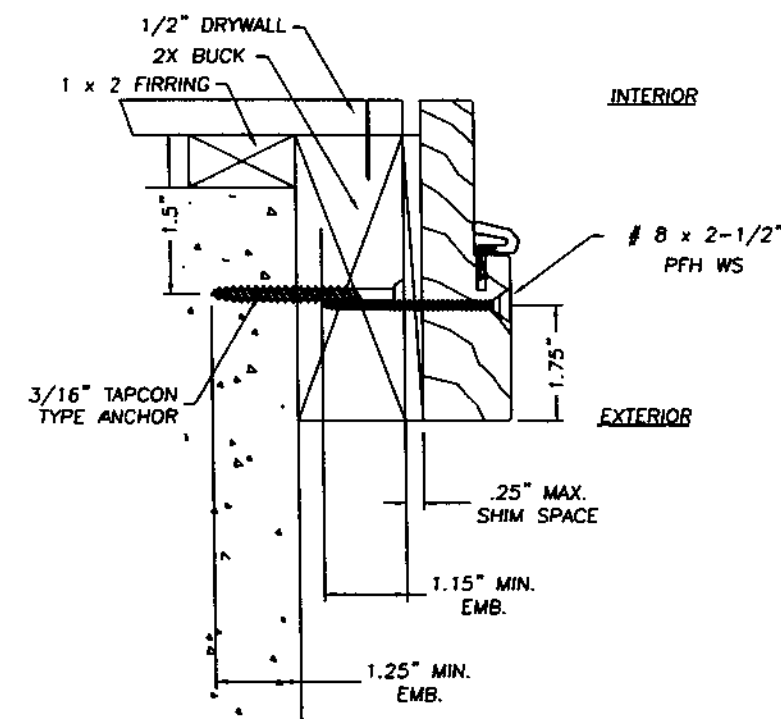
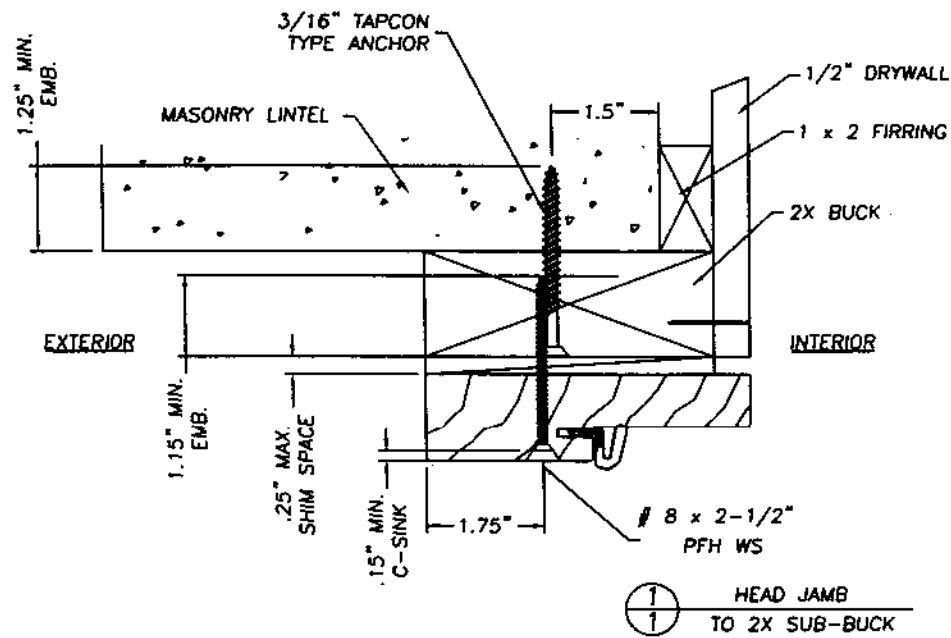
PRODUCT: WOOD EDGE / STEEL EDGE  
STEEL DOOR  
GLAZED W/NO SIDELITES

PART OR ASSEMBLY:  
GENERAL NOTES &  
TYPICAL ELEVATIONS

NO.	DATE	BY	REVISIONS

**RW** BUILDING  
CONSULTANTS, INC.  
813.659.9197

DATE: 8/13/02  
SCALE: N.T.S.  
DWG. BY: WLN  
CHK. BY: RW  
DRAWING NO.: ST-104-OC  
SHEET 1 of 4



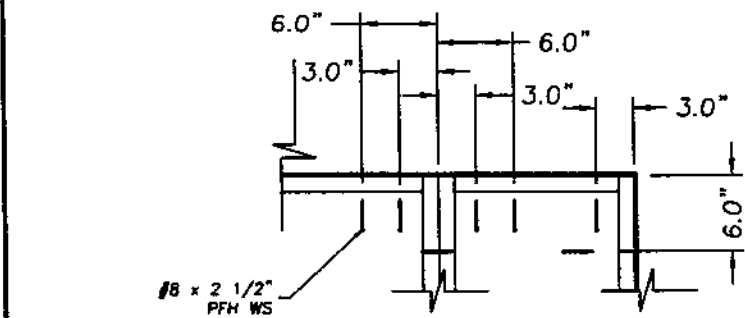
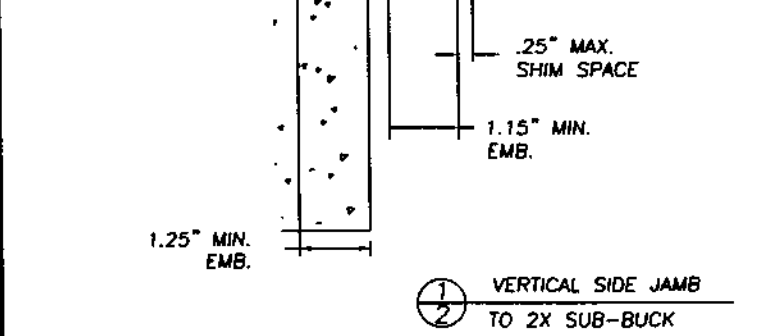
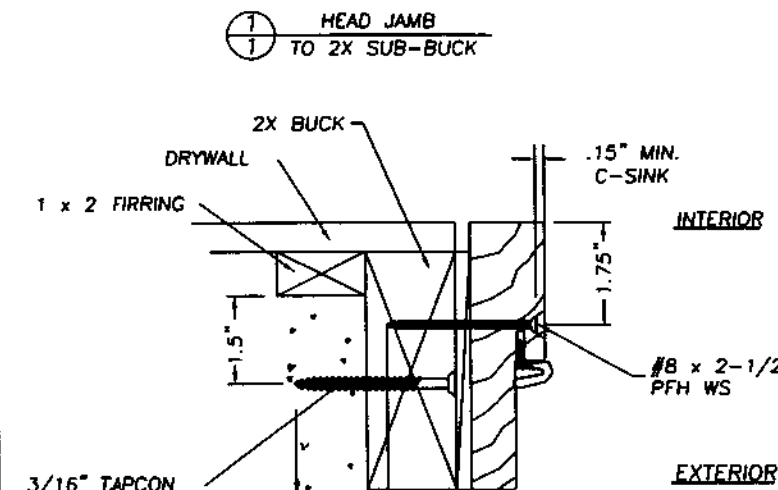
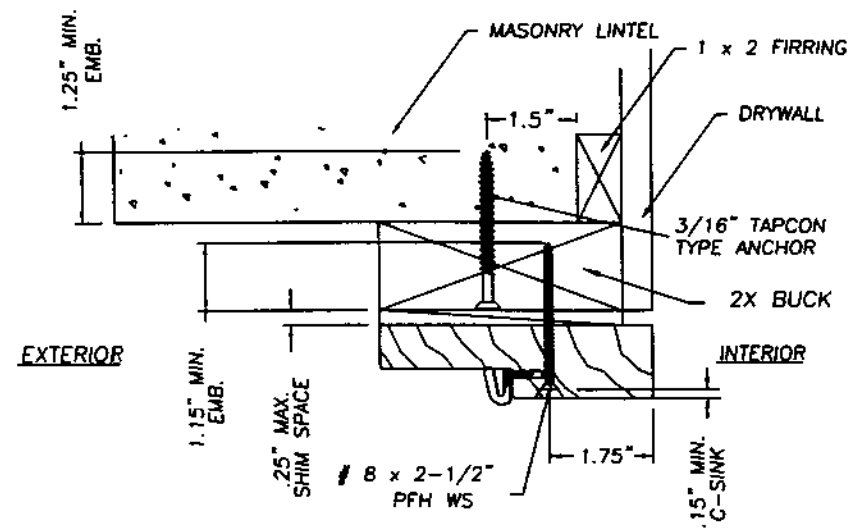
**NOTE:**  
A minimum clearance of 2.0" for all anchoring screws to mortar joints must be maintained.

SEPTEMBER 5, 2002  
Lyndon F. Schmidt  
Florida P. E. No. 43409  
19506 French Lace Drive  
Lutz, FL 33558

**STANLEY**  
STANLEY DOOR SYSTEMS  
7300 REAMES ROAD  
CHARLOTTE, NC 28216  
PH. (704) 921-3470

ANCHOR CROSS SECTIONS  
MASONRY 8'0  
IN-SWING WOOD FRAME

**RW** BUILDING  
CONSULTANTS, INC.  
813.659.9197  
DATE: 8/13/02  
SCALE: NTS  
DWG. BY: WLN  
CHK. BY: RW  
DRAWING NO.:  
ST-104-OC  
SHEET 2 OF 4

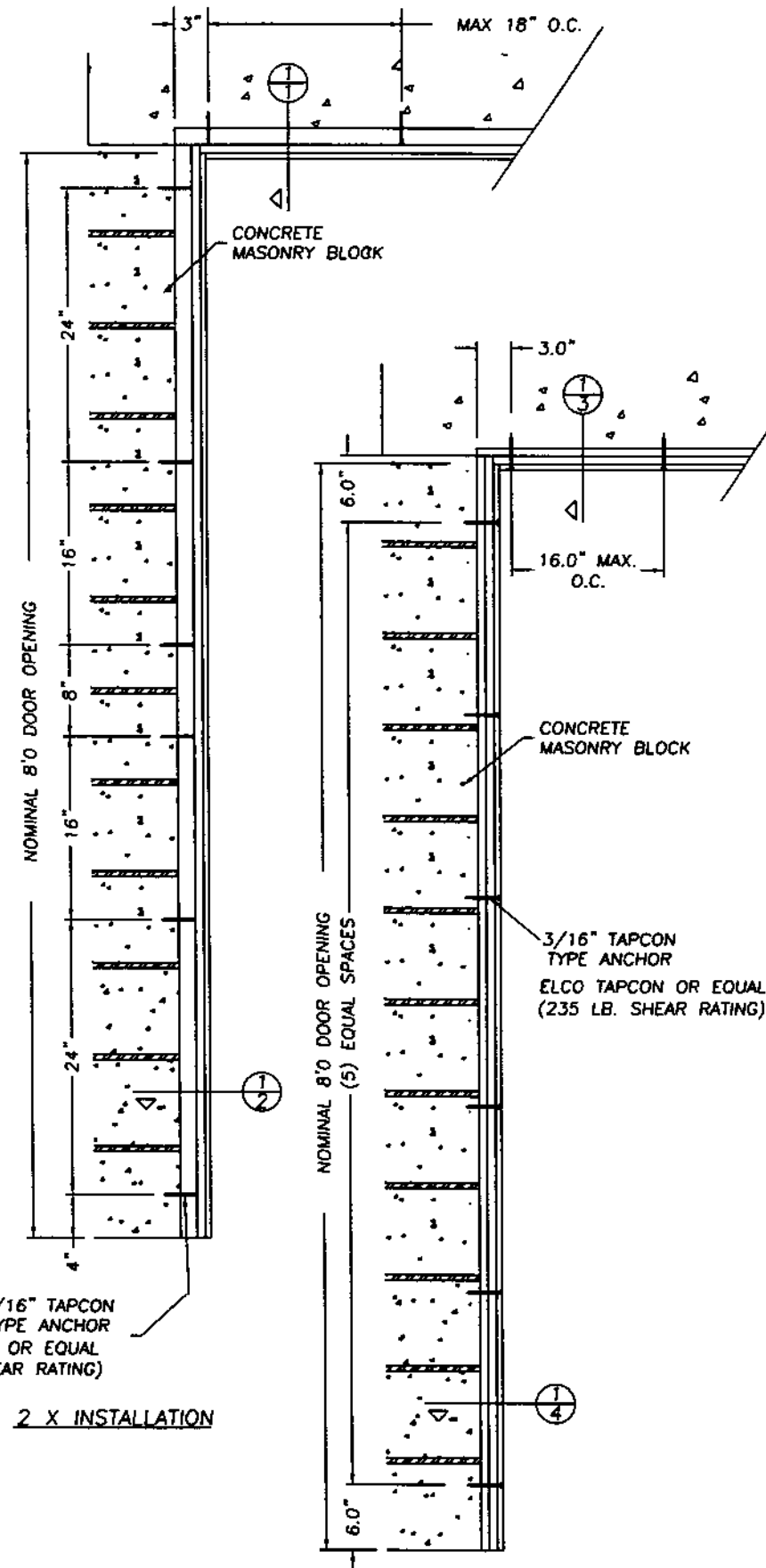


- NOTE:**
- When using a 1X sub-buck a 6-9/16" jamb is required to allow for min. edge spacing for Tapcon type anchors.
  - A minimum clearance of 2.0" for all anchoring screws to mortar joints must be maintained.

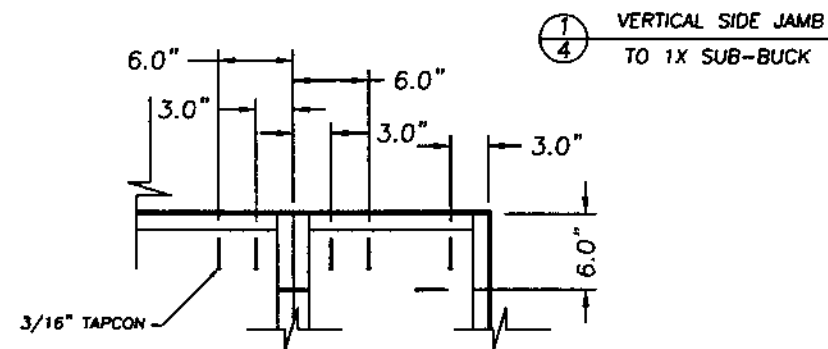
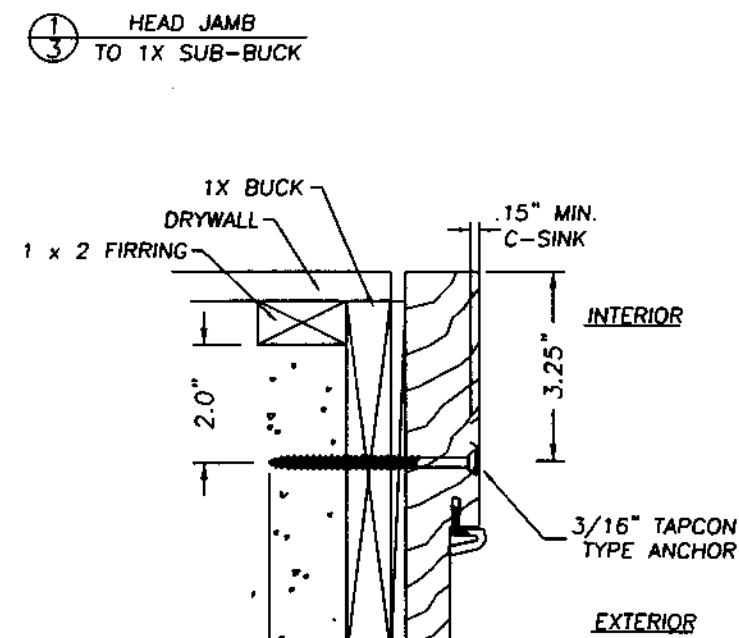
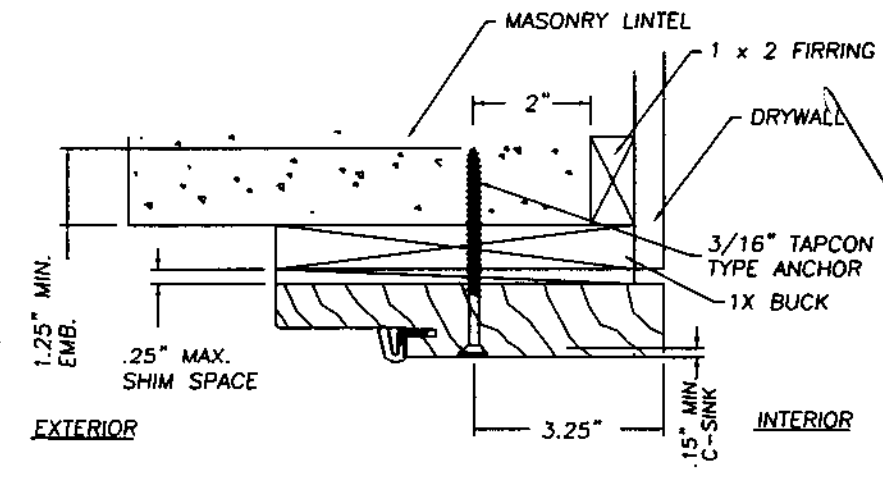
ANCHORING OF SIDELITE TO 2X BUCK

3/16" TAPCON TYPE ANCHOR  
ELCO TAPCON OR EQUAL  
(235 LB. SHEAR RATING)

2 X INSTALLATION



1 X INSTALLATION



ANCHORING OF SIDELITE THROUGH 1X BUCK

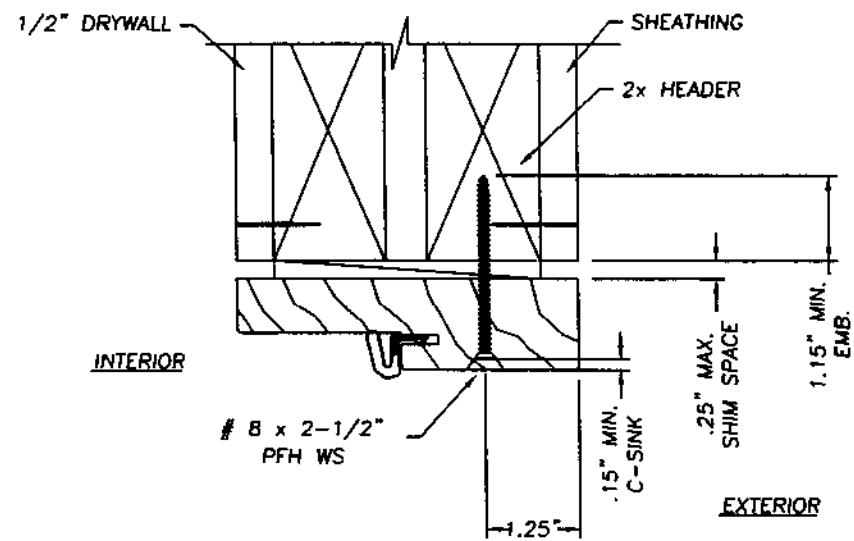
SEPTEMBER 5, 2002  
Lyndon F. Schmidt  
Florida P. E. No. 43409  
19506 French Lace Drive  
Lutz, FL 33558

**STANLEY**  
STANLEY DOOR SYSTEMS  
7300 REAMES ROAD  
CHARLOTTE, NC 28216  
PH. (704) 921-3470

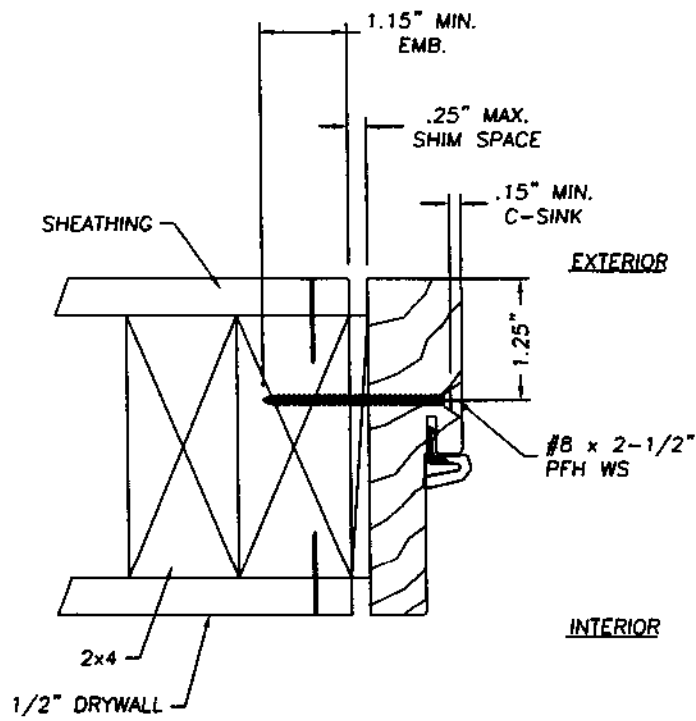
ANCHOR CROSS SECTIONS  
MASONRY 8'0  
OUT-SWING WOOD FRAME

**RW** BUILDING  
CONSULTANTS, INC.  
813.659.9197

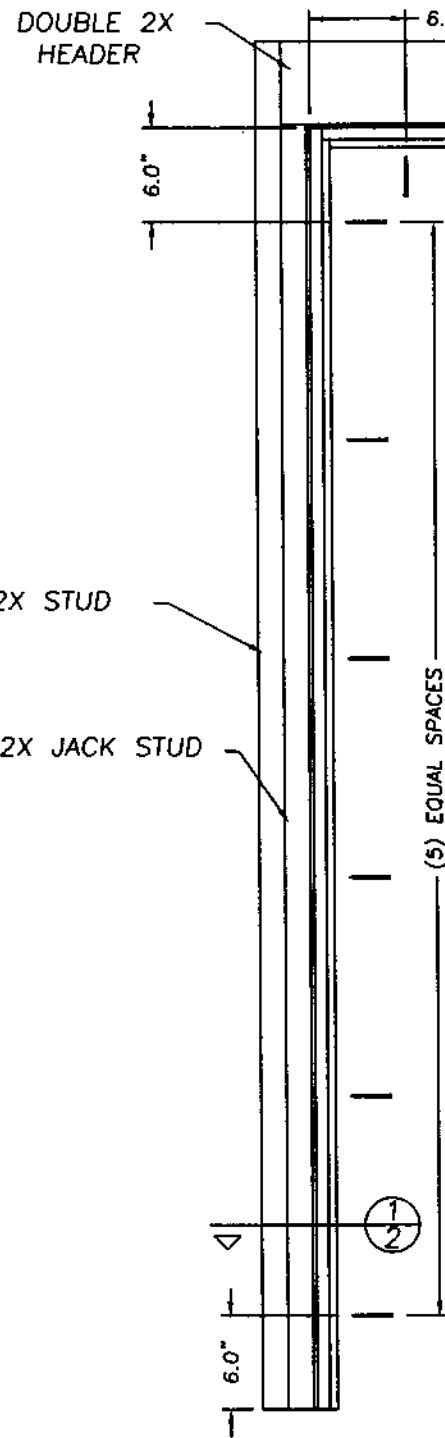
DATE: 8/13/02  
SCALE: NTS  
DWG. BY: WLN  
CHK. BY: RW  
DRAWING NO.:  
ST-104-OC  
SHEET 3 of 4



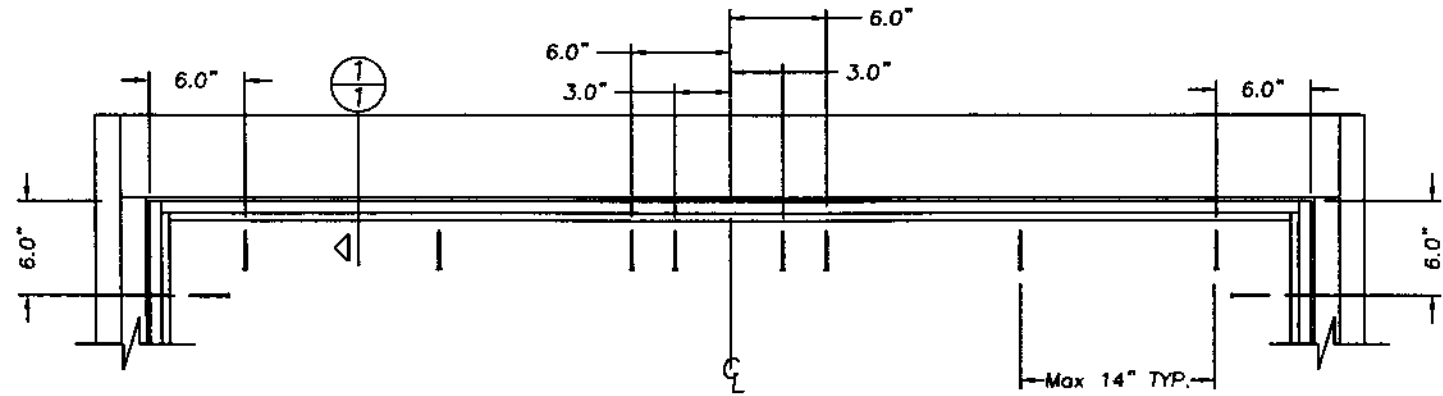
① HEAD JAMB



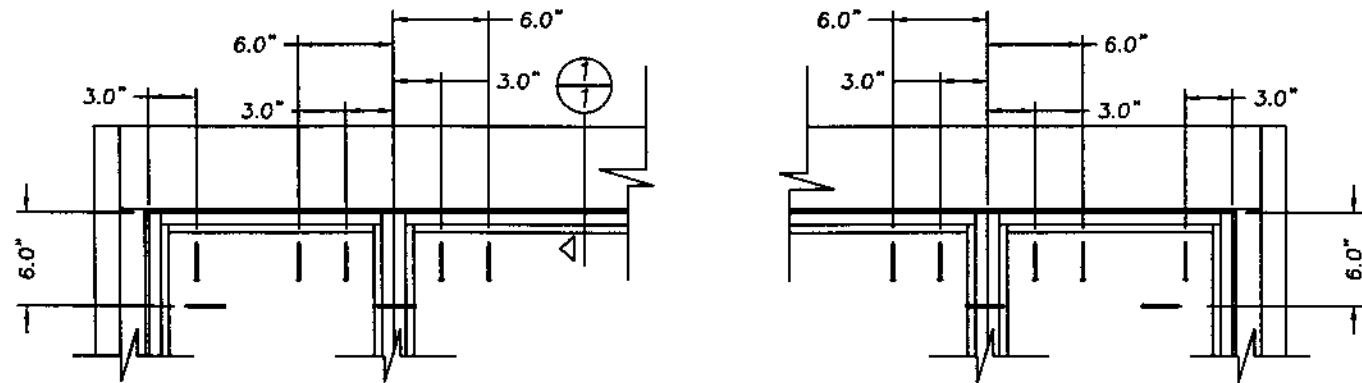
② VERTICAL SIDE JAMB



SINGLE DOOR



DOUBLE DOOR



SINGLE OR DOUBLE DOOR WITH SIDELITES

*[Handwritten signature]*

SEPTEMBER 5, 2002

Lyndon F. Schmidt  
 Florida P. E. No. 43409  
 19506 French Lace Drive  
 Lutz, FL 33558

**STANLEY**

STANLEY DOOR SYSTEMS  
 7300 REAMES ROAD  
 CHARLOTTE, NC 28216  
 PH. (704) 921-3470

ANCHOR CROSS SECTIONS  
 WOOD OR STEEL STUD  
 IN-SWING / OUT-SWING  
 WOOD FRAME

**RW** BUILDING  
 CONSULTANTS, INC.  
 813.659.9197

DATE: 8/13/02

SCALE: NTS

DWG. BY: WLN

CHK. BY: RW

DRAWING NO.:

ST-104-OC

SHEET 4 OF 4