

SEE "FRAME CORNER DETAIL ON SHEET 3"

NO. 8 X 1 1/2" P.H. SMS WITHIN 2" OF THE CORNERS & 8" O.C. (TYP. ALL SIDES).

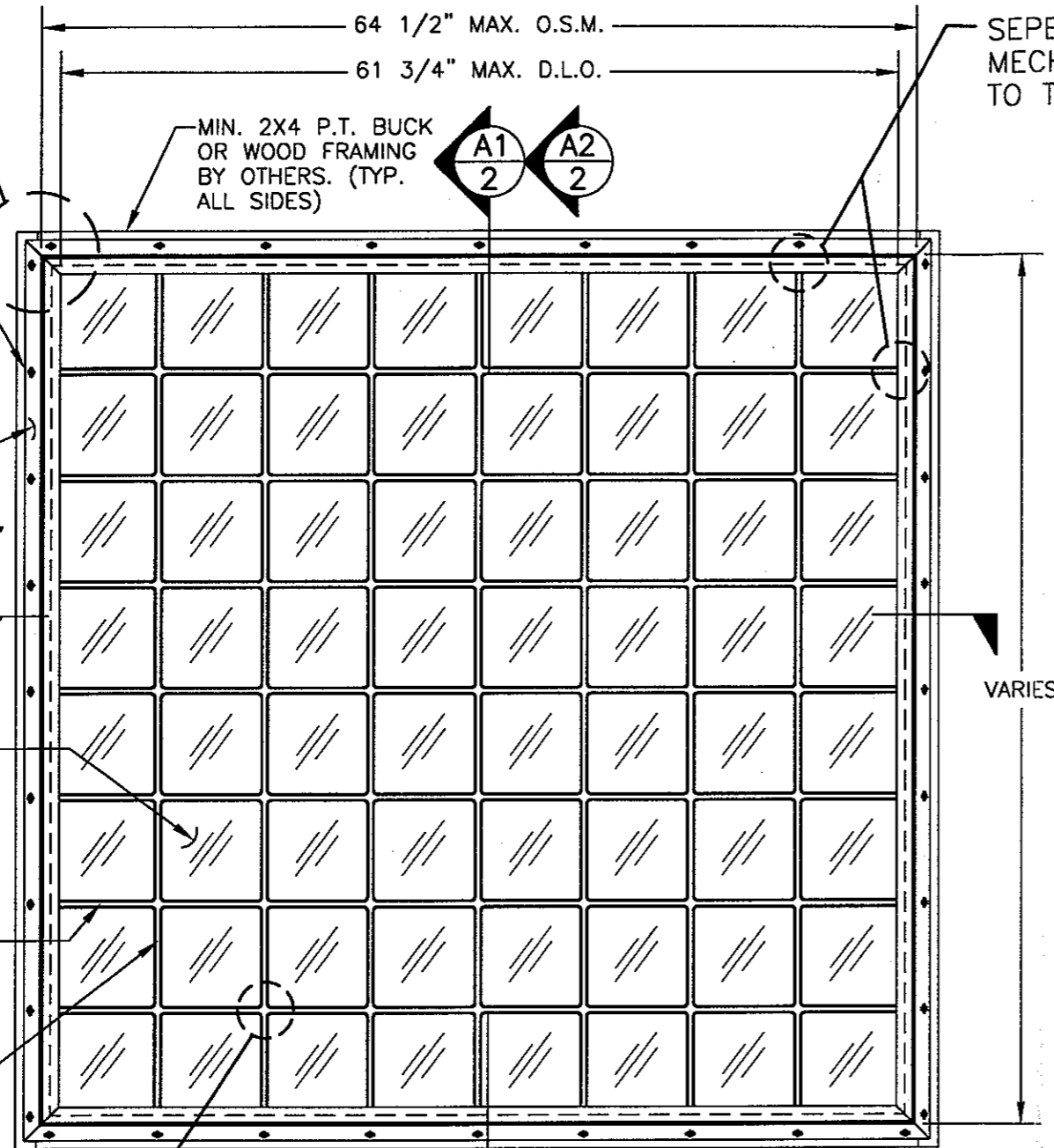
NAILING FIN & FRAME

8" X 8" X 2" THK. GLASS BLOCK (7 3/4" MAX. SQUARE ACTUAL SIZE)

CONTINUOUS ALUMINUM EXTRUDED SEPERATOR BETWEEN EA. BLOCK LAYER

BROKEN ALUMINUM EXTRUDED SEPERATOR BETWEEN EA. BLOCK

NOTE: SEPERATORS DO NOT CONNECT. THE BROKEN SEPERATORS ONLY ACT TO SEPERATE THE BLOCK SECTIONS.



EXTERIOR ELEVATION

SCALE: 1"=1'-0"

NOTE: THE DIMENSIONS SHOWN AS MAX. PERTAIN TO THE WINDOW DIMENSIONS IN THE SAME DIRECTION AS THE CONTINUOUS ALUMINUM SEPERATORS. THE OPPOSITE DIMENSIONS MAY VARY WITHIN LIMITATIONS AS SET FORTH IN THE LOAD TABLE ON SHEET 3. THE CONTINUOUS SEPERATORS MAY BE USED IN EITHER DIRECTION.

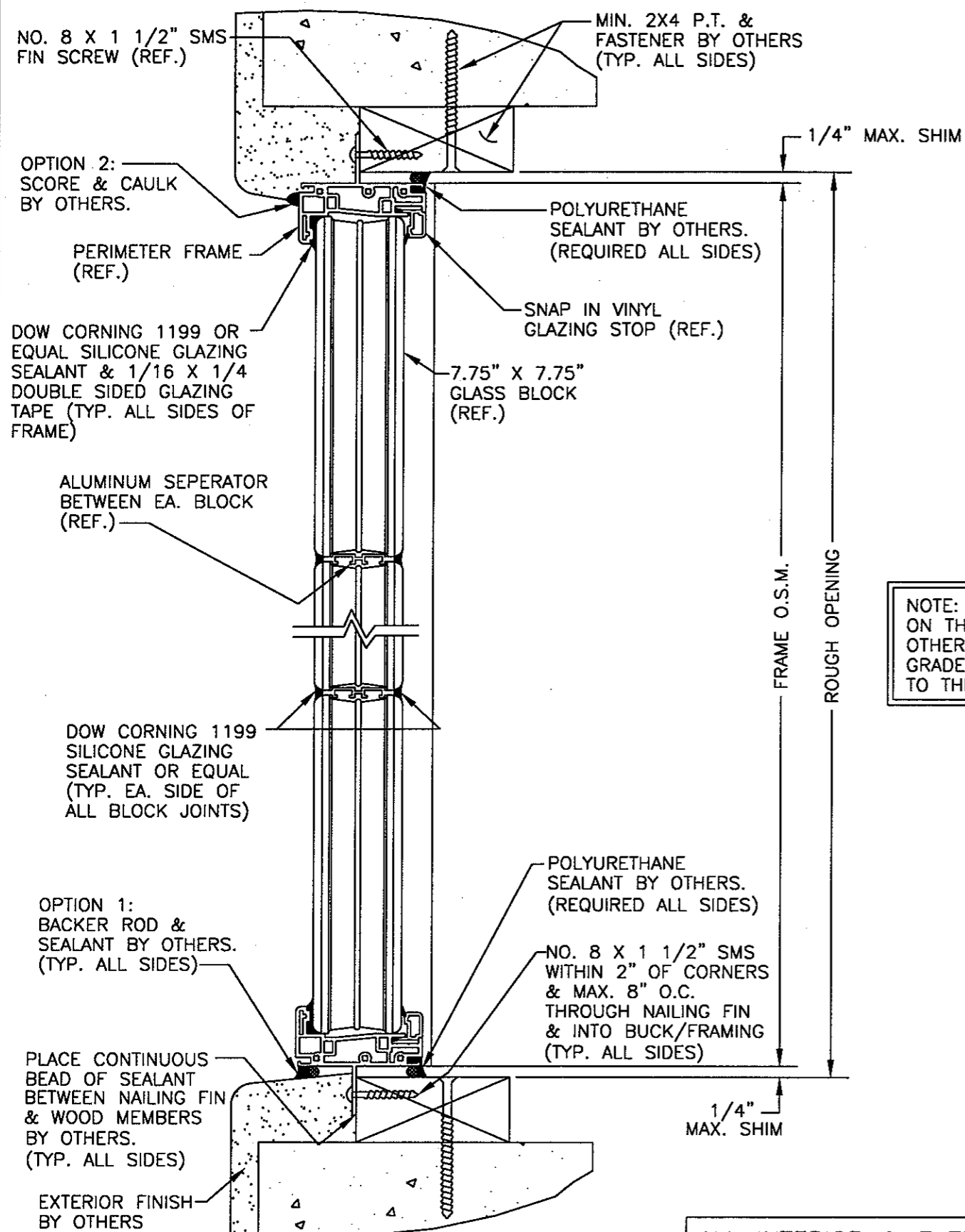
ALLOWABLE DESIGN LOADS
SEE LOAD TABLES ON SHEET 4

SEPERATORS DO NOT MECHANICALLY FASTEN TO THE VINYL FRAME.

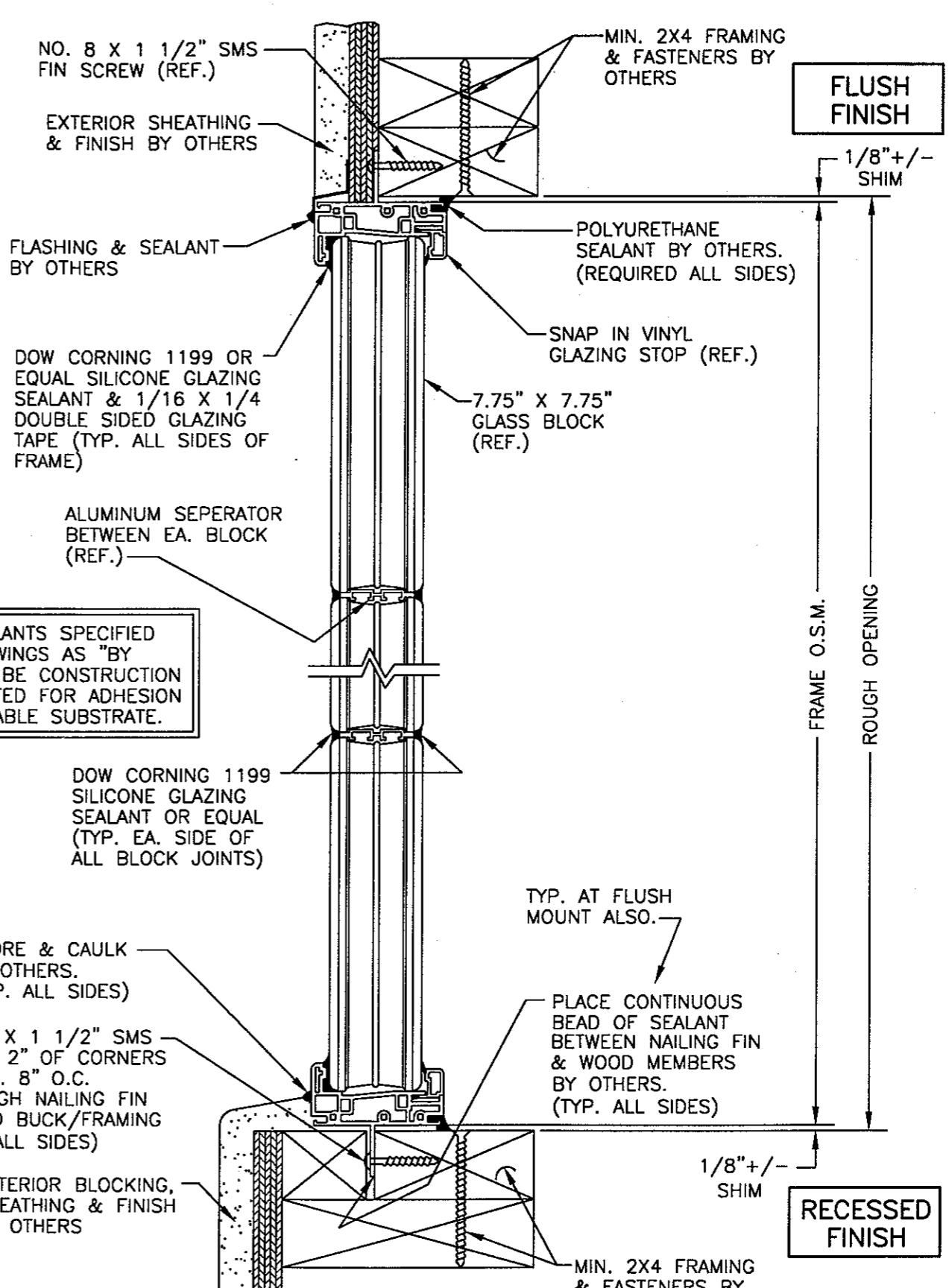
GENERAL NOTES

1. THIS GLASS BLOCK WINDOW SYSTEM HAS BEEN TESTED, ANALYZED AND APPROVED FOR DESIGN PRESSURES SHOWN ON THESE DRAWINGS.
2. BUCKING, OPENINGS & BUCKING FASTENERS MUST BE DESIGNED & INSTALLED TO WITHSTAND WIND LOADS AS DETERMINED FOR EA. APPLICATION
3. BUCKING FASTENERS MAY NOT EXCEED 16" O.C. SPACING AROUND OPENINGS REGARDLESS OF CIRCUMSTANCE.
4. ALL MATERIAL, HARDWARE & FASTENERS SHALL BE IN ACCORDANCE WITH THESE DRAWINGS & MAY NOT VARY UNLESS SPECIFICALLY MENTIONED ON THE DRAWINGS.
5. THE DETAILS & SPECIFICATIONS SHOWN HEREIN REPRESENT THE PRODUCTS PROPOSED FOR WATER INFILTRATION, AIR INFILTRATION, FORCED ENTRY & UNIFORM STATIC AIR PRESSURE TESTING IN CONFORMANCE WITH ASTM E330, ASTM E331, ASTM E283, ASTM F588 & AAMA 101-97 FOR NON-IMPACT FIXED WINDOWS.
6. THIS GLASS BLOCK WINDOW SYSTEM HAS BEEN ANALYZED & DESIGNED IN ACCORDANCE WITH AAMA & THE 2001 FLORIDA BUILDING CODE REQUIREMENTS.
7. THIS PRODUCT HAS BEEN TESTED IN ACCORDANCE WITH ALL APPLICABLE AAMA & ASTM STANDARDS FOR VINYL FRAMED FIXED WINDOWS.

DRAWN BY: W.W.S.		CHECKED BY: W.W.S.	
PLOT: 1=12		DATE: 04/21/00	
DATE	BY	REVISION DESCRIPTION	NO.
DRAWING TITLE: NON-IMPACT GLASS BLOCK WINDOW IN VINYL FRAME			
CONSULTANTS: W. W. SCHAEFER ENGINEERING & CONSULTING, P.A. 600 SANDTREE DRIVE, SUITE 203B PALM BEACH GARDENS, FL 33403 PHONE: 561-775-4902 FAX: 561-775-4903			
MANUFACTURER: GMI GLASS MASONRY, INC. 5000 OAKES ROAD, #F FT. LAUDERDALE, FLORIDA 33314 (954)584-8774			
CERTIFICATION MAY 10 2000		WARREN W. SCHAEFER, P.E. P.E. NO. 44135	
DRAWING NO. 1007		REV.	
SHEET NO. 1 OF 4			



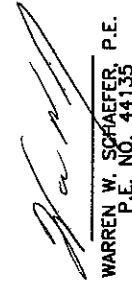
SECTION A1
SCALE: 1/3 FULL
(BLOCK/CONCRETE OPENING)

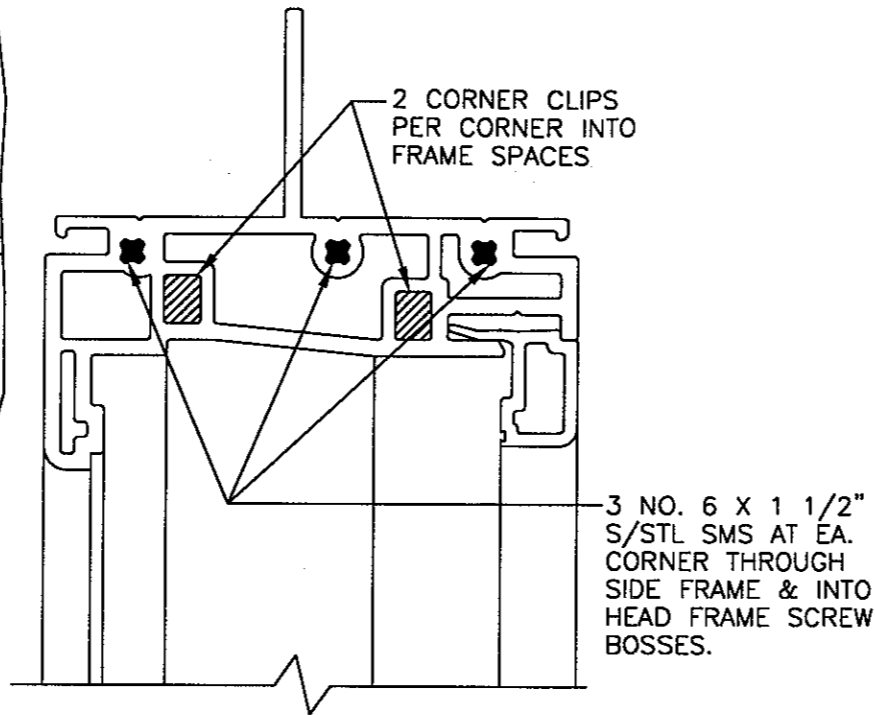
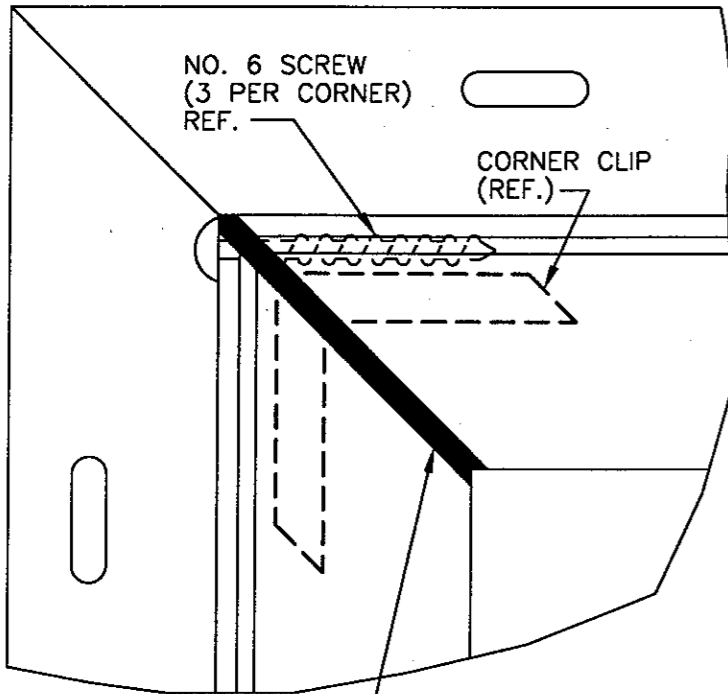


SECTION A2
SCALE: 1/3 FULL
(WOOD FRAME OPENING)

NOTE: ALL SEALANTS SPECIFIED ON THESE DRAWINGS AS "BY OTHERS" MUST BE CONSTRUCTION GRADE AND RATED FOR ADHESION TO THE APPLICABLE SUBSTRATE.

ALL INTERIOR & EXTERIOR FINISHES SHALL BE AS REQUIRED BY OTHERS.

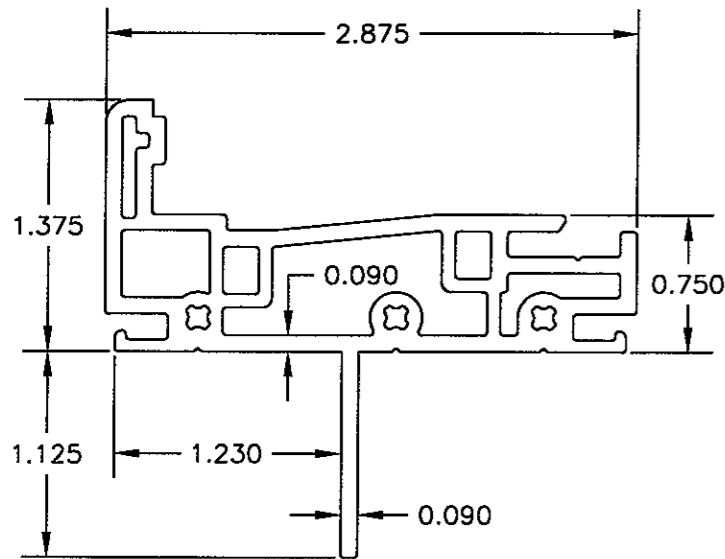
DRAWN BY: W.W.S.	CHECKED BY: W.W.S.
PLOT: 1=3	DATE: 04/21/00
DATE	
BY	
REVISION DESCRIPTION	
NO.	
DRAWING TITLE NON-IMPACT GLASS BLOCK WINDOW IN VINYL FRAME	
MANUFACTURER GMI GLASS MASONRY, INC. 5000 OAKES ROAD, #F FT. LAUDERDALE, FLORIDA 33314 (954)584-8774	
CONSULTANTS W. W. SCHAEFER ENGINEERING & CONSULTING, P.A. 600 SANDTREE DRIVE, SUITE 203B PALM BEACH GARDENS, FL 33403 PHONE: 561-775-4902 FAX: 561-775-4903	
CERTIFICATION MAY 10 2000  WARREN W. SCHAEFER, P.E. P.E. NO. 44135	
DRAWING NO. 1007	REV.
SHEET NO. 2	OF 4



SILICONE CAULK ENTIRE CORNER JOINT (COMPRESSION CAULK)

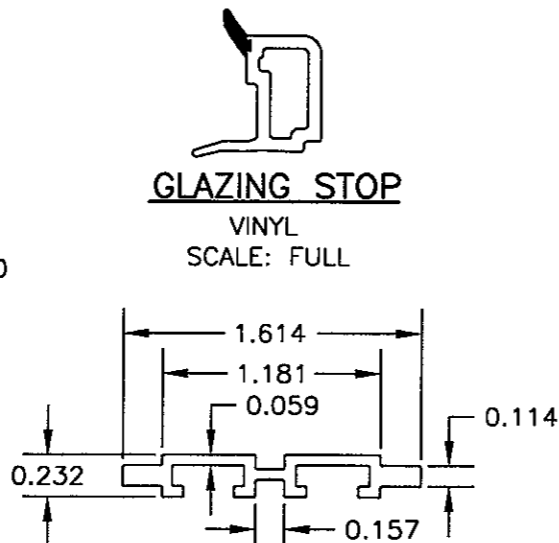
FRAME CORNER DETAIL

SCALE: FULL



PERIMETER FRAME

VINYL
SCALE: FULL

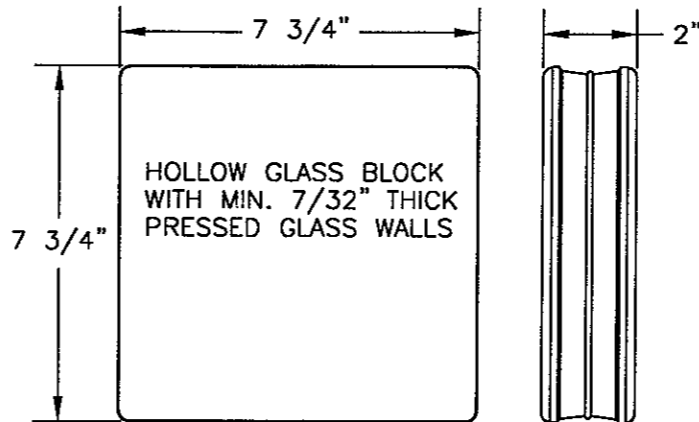


GLAZING STOP

VINYL
SCALE: FULL

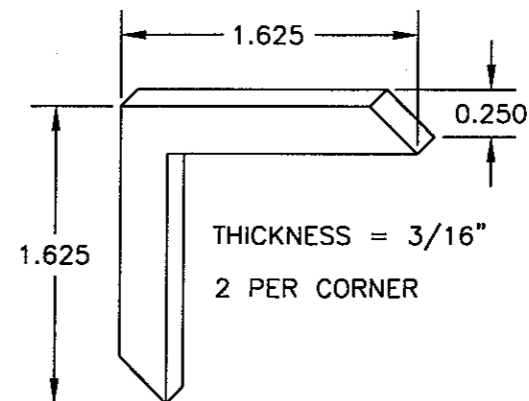
SEPERATOR

6063-T5 ALUMINUM
SCALE: FULL



GLASS BLOCK

SCALE: N.T.S.
SURFACE TEXTURE VARIES
MANUFACTURED BY J. WECK CO.



FRAME CORNER KEY

6063-T5 ALUMINUM
SCALE: FULL

NO.	REVISION DESCRIPTION	BY	DATE

DRAWING TITLE: **NON-IMPACT GLASS BLOCK WINDOW IN VINYL FRAME**

CONSULTANTS: **W. W. SCHAEFER ENGINEERING & CONSULTING, P.A.**
600 SANDTREE DRIVE, SUITE 203B
PALM BEACH GARDENS, FL 33403
PHONE: 561-775-4902 FAX: 561-775-4903

MANUFACTURER: **GMI GLASS MASONRY, INC.**
5000 OAKES ROAD, #F
FT. LAUDERDALE, FLORIDA 33314
(954)584-8774

CERTIFICATION: **MAY 10 2000**

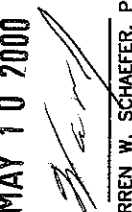
WARREN W. SCHAEFER, P.E.
P.E. NO. 44135

DRAWING NO.	REV.
1007	
SHEET NO.	
3	OF 4

WIND LOAD TABLE

NOMINAL HEIGHT (IN.)	ALLOWABLE DESIGN PRESSURES (PSF)															
	POS	NEG	POS	NEG	POS	NEG	POS	NEG	POS	NEG	POS	NEG	POS	NEG	POS	NEG
8	100.0	100.0	100.0	100.0	100.0	100.0	100.0	100.0	80.0	80.0	66.7	66.7	57.1	57.1	50.0	50.0
16	100.0	100.0	100.0	100.0	100.0	100.0	100.0	100.0	80.0	80.0	66.7	66.7	57.1	57.1	50.0	50.0
24	100.0	100.0	100.0	100.0	100.0	100.0	100.0	100.0	80.0	80.0	66.7	66.7	57.1	57.1	50.0	50.0
32	100.0	100.0	100.0	100.0	100.0	100.0	100.0	100.0	80.0	80.0	66.7	66.7	57.1	57.1	50.0	50.0
40	100.0	100.0	100.0	100.0	100.0	100.0	100.0	100.0	80.0	80.0	66.7	66.7	57.1	57.1	50.0	50.0
48	100.0	100.0	100.0	100.0	100.0	100.0	100.0	100.0	80.0	80.0	66.7	66.7	57.1	57.1	50.0	50.0
56	100.0	100.0	100.0	100.0	100.0	100.0	100.0	100.0	80.0	80.0	66.7	66.7	57.1	57.1	50.0	50.0
64	100.0	100.0	100.0	100.0	100.0	100.0	100.0	100.0	80.0	80.0	66.7	66.7	57.1	57.1	50.0	50.0
72	100.0	100.0	100.0	100.0	100.0	100.0	88.9	88.9	71.1	71.1	59.3	59.3	50.8	50.8	-	-
80	100.0	100.0	100.0	100.0	100.0	100.0	80.0	80.0	64.0	64.0	53.5	53.5	-	-	-	-
88	100.0	100.0	100.0	100.0	97.0	97.0	72.7	72.7	58.2	58.2	-	-	-	-	-	-
96	100.0	100.0	100.0	100.0	88.9	88.9	66.7	66.7	53.3	53.3	-	-	-	-	-	-
104	100.0	100.0	100.0	100.0	82.1	82.1	61.5	61.5	-	-	-	-	-	-	-	-
112	100.0	100.0	100.0	100.0	76.2	76.2	57.1	57.1	-	-	-	-	-	-	-	-
120	100.0	100.0	100.0	100.0	71.1	71.1	53.3	53.3	-	-	-	-	-	-	-	-
128	100.0	100.0	100.0	100.0	66.7	66.7	50.0	50.0	-	-	-	-	-	-	-	-
136	100.0	100.0	94.1	94.1	62.7	62.7	-	-	-	-	-	-	-	-	-	-
144	100.0	100.0	88.9	88.9	59.3	59.3	-	-	-	-	-	-	-	-	-	-
152	100.0	100.0	84.2	84.2	56.1	56.1	-	-	-	-	-	-	-	-	-	-
160	100.0	100.0	80.0	80.0	53.3	53.3	-	-	-	-	-	-	-	-	-	-
168	100.0	100.0	76.2	76.2	50.8	50.8	-	-	-	-	-	-	-	-	-	-
176	100.0	100.0	72.7	72.7	-	-	-	-	-	-	-	-	-	-	-	-
184	100.0	100.0	69.6	69.6	-	-	-	-	-	-	-	-	-	-	-	-
192	100.0	100.0	66.7	66.7	-	-	-	-	-	-	-	-	-	-	-	-
200	100.0	100.0	64.0	64.0	-	-	-	-	-	-	-	-	-	-	-	-
208	100.0	100.0	61.5	61.5	-	-	-	-	-	-	-	-	-	-	-	-
216	100.0	100.0	59.3	59.3	-	-	-	-	-	-	-	-	-	-	-	-
224	100.0	100.0	57.1	57.1	-	-	-	-	-	-	-	-	-	-	-	-
232	100.0	100.0	55.2	55.2	-	-	-	-	-	-	-	-	-	-	-	-
240	100.0	100.0	53.3	53.3	-	-	-	-	-	-	-	-	-	-	-	-
	POS	NEG	POS	NEG	POS	NEG	POS	NEG	POS	NEG	POS	NEG	POS	NEG	POS	NEG
NOMINAL WIDTH (IN.)	8		16		24		32		40		48		56		64	

- TABLE NOTES:**
1. POS = POSITIVE PRESSURE
 2. NEG = NEGATIVE PRESSURE
 3. WIDTH IS IN THE DIRECTION OF THE CONTINUOUS SEPERATORS.
 4. "NOMINAL WIDTH & HEIGHT" IS PER NOMINAL 8" BLOCK SIZE.
 5. PRESSURES MAY NOT EXCEED +100/-100 PSF REGARDLESS OF SIZE.
 6. POSITIVE DESIGN PRESSURE MAY NOT EXCEED 80 PSF WHEN WATER INFILTRATION RESTRICTIONS ARE REQUIRED.

DRAWN BY: W.W.S.	CHECKED BY: W.W.S.
PLOT: 1=1	DATE: 04/21/00
DATE	
BY	
REVISION DESCRIPTION	
NO.	
DRAWING TITLE NON-IMPACT GLASS BLOCK WINDOW IN VINYL FRAME	
CONSULTANTS W. W. SCHAEFER ENGINEERING & CONSULTING, P.A. 600 SANDTREE DRIVE, SUITE 203B PALM BEACH GARDENS, FL 33403 PHONE: 561-775-4902 FAX: 561-775-4903	MANUFACTURER GMI GLASS MASONRY, INC. 5000 OAKES ROAD, #F FT. LAUDERDALE, FLORIDA 33314 (954)584-8774
CERTIFICATION MAY 10 2000  WARREN W. SCHAEFER, P.E. P.E. NO. 44135	
DRAWING NO. 1007	REV.
SHEET NO.	
4 OF 4	