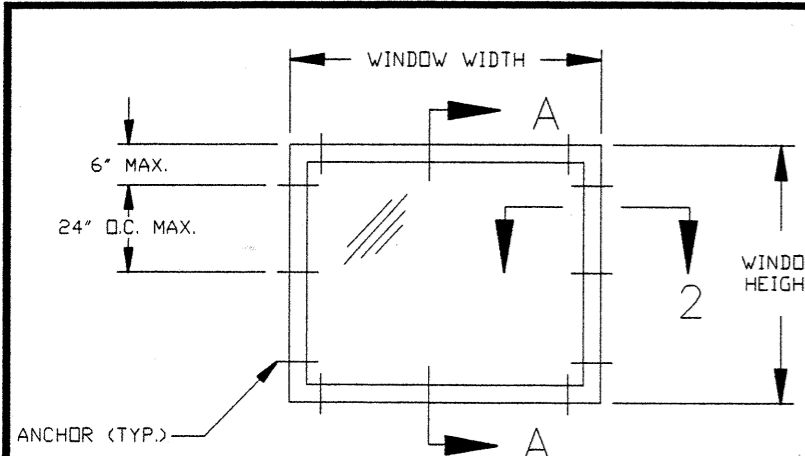


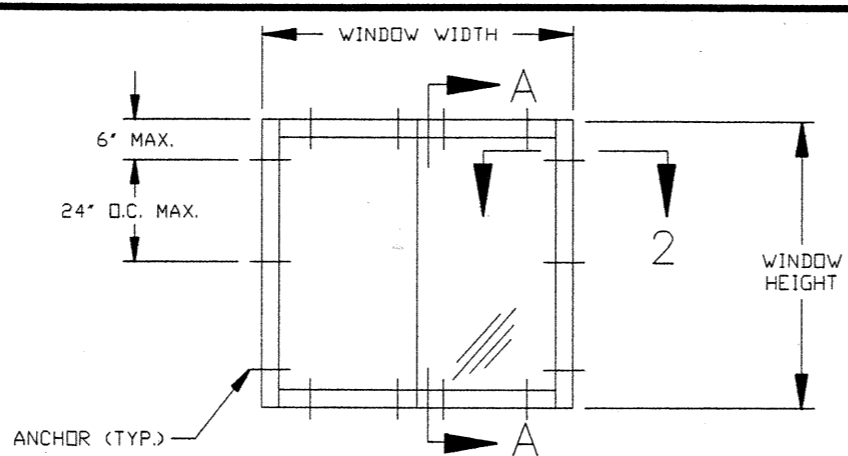
- NOTES:**
- 1) SHIM AS REQ'D. AT EACH INSTALLATION ANCHOR W/ LOAD BEARING SHIM. MAX. ALLOWABLE SHIM STACK TO BE 1/4". USE SHIMS WHERE SPACE GREATER THAN 1/16" IS PRESENT.
 - 2) WINDOW FRAME MATERIAL: POLY VINYL CHLORIDE.
 - 3) DRAWINGS SHOWN WITH FLANGE OPTION.
 - 4) 3/16" DIA. TAPCON OR MASONRY SCREW ANCHOR MUST BE OF SUFFICIENT LTH. TO ACHIEVE MIN. EMBEDMENT OF 1-1/4" INTO MASONRY OR CONCRETE.
 - 5) NOT ALL INSTALLATION HOLES FOR ANCHORS ARE APPLIED BY FACTORY IN ALL SIZES. SCREWS OF SUFFICIENT LTH. TO PROVIDE MIN. 5/8 IN. EMBEDMENT INTO WOOD BUCK. SEE NOTES ON BACK OF THIS SHEET FOR FASTENER LOCATIONS.
 - 6) #8 SCREW INSTALLATION ANCHORS IN TWO BY WOOD BUCK INSTALLATION MUST BE OF SUFFICIENT LENGTH TO ACHIEVE MIN. EMBEDMENT OF 1-1/8" INTO TWO BY WOOD BUCK. SEE NOTES ON BACK OF THIS SHEET FOR FASTENER LOCATIONS.
 - 7) CAULK BEHIND WINDOW FLANGE AT HEAD & JAMBS WITH CAULK. CAULK BEHIND WINDOW FLANGE AT SILL WITH VULKEM 116 ADHESIVE CAULK OR SCHNEE-MOREHEAD SM8500 ADHESIVE SEALANT. APPLICATION OF CAULK & SEALANTS MUST COMPLY WITH SEALANT MANUFACTURER'S RECOMENDATIONS.
 - 8) USE CAULK FOR PERIMETER SEAL AROUND EXTERIOR OF WINDOW FLANGE BY OTHERS.
 - 9) IF EXACT WINDOW SIZE IS NOT LISTED IN ANCHOR CHART, USE ANCHOR QUANTITY LISTED WITH NEXT LARGER SIZE.
 - 10) GLASS THICKNESS MAY VARY PER THE REQUIREMENTS OF ASTM E1300 GLASS CHARTS.
 - 11) INSTALLATION AS STATED HEREIN COMPLIES WITH THE FLORIDA BUILDING CODE AT ±65.0 PSF.
 - 12) ANCHOR DETAILS SHOW TWO BY & ONE BY WOOD BUCK. INSTALATION WOULD ALSO APPLY WHERE NO WOOD BUCK IS USED.
 - 13) NOTE ALL SECTIONS ARE SHOWN WITH FLANGE OPTION.

STANEK WINDOW CO.		
TITLE: SERIES 2000 & 4000 CASEMENT & AWNING WINDOW INSTALLATION IN MASONRY		
ENGINEER: MANUEL MARTINEZ	DRN: BB	DATE: 6/04/02
DISCIPLINE: CIVIL	SCALE: N.T.S.	DWG. NO: STAN0005
FL. REG. NO: 47182	REV. LETTER:	SHEET: 1 OF 2



1-LITE ELEVATION
VIEWED FROM EXTERIOR

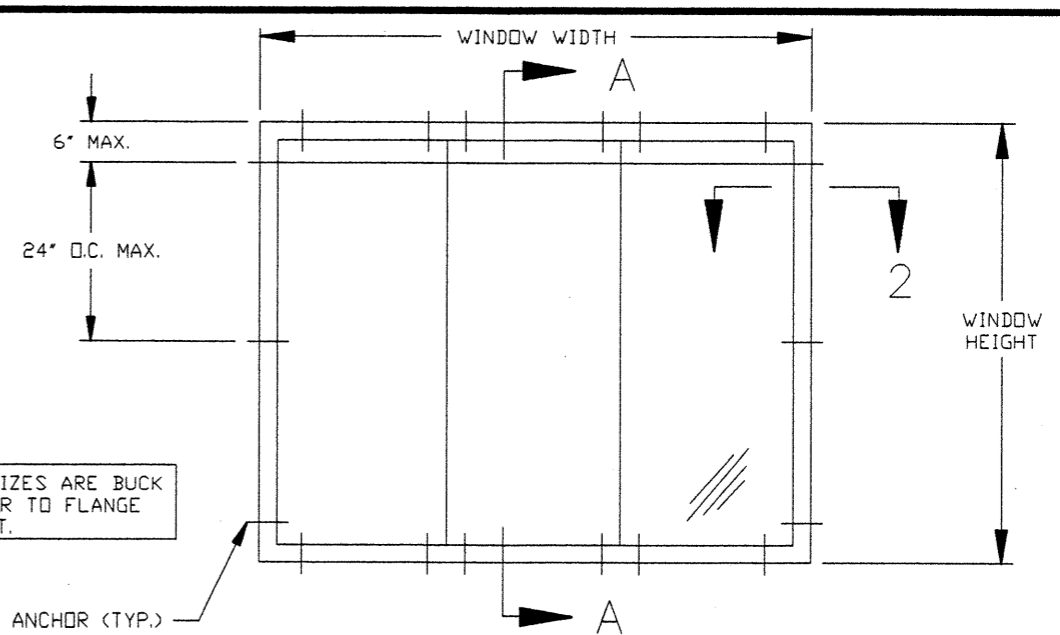
- NOTE:
- 1) WHEN INSTALLING 1-LITE CASEMENT WINDOW IN WOOD BUCK LESS THAN 1-1/2", OR WHERE NO BUCK IS PRESENT, PLACE 3/16" CONCRETE ANCHOR FASTENERS 6" FROM CORNERS OF HEAD & EA. JAMB. ALSO PLACE A 3/16" CONCRETE FASTENER @ MID POINT OF EA. JAMB WHERE SPACING @ JAMB EXCEEDS 24" O.C. MAX. CONCRETE ANCHOR SPACING TO BE 24" O.C. MAX.
 - 2) WHEN INSTALLING 1-LITE CASEMENT WINDOW IN WOOD BUCK GREATER THAN OR EQUAL TO 1-1/2", PLACE #8 SCREWS 6" FROM CORNERS OF HEAD & EA. JAMB. ALSO PLACE A #8 INSTALLATION SCREW MID POINT OF EACH JAMB. MAX. ANCHOR SPACING TO BE 24" O.C. MAX.
 - 3) MAX. CASEMENT WINDOW SIZE IS 36" X 74". MAX. AWNING WINDOW SIZE IS 48" X 36".



2-LITE ELEVATION
VIEWED FROM EXTERIOR

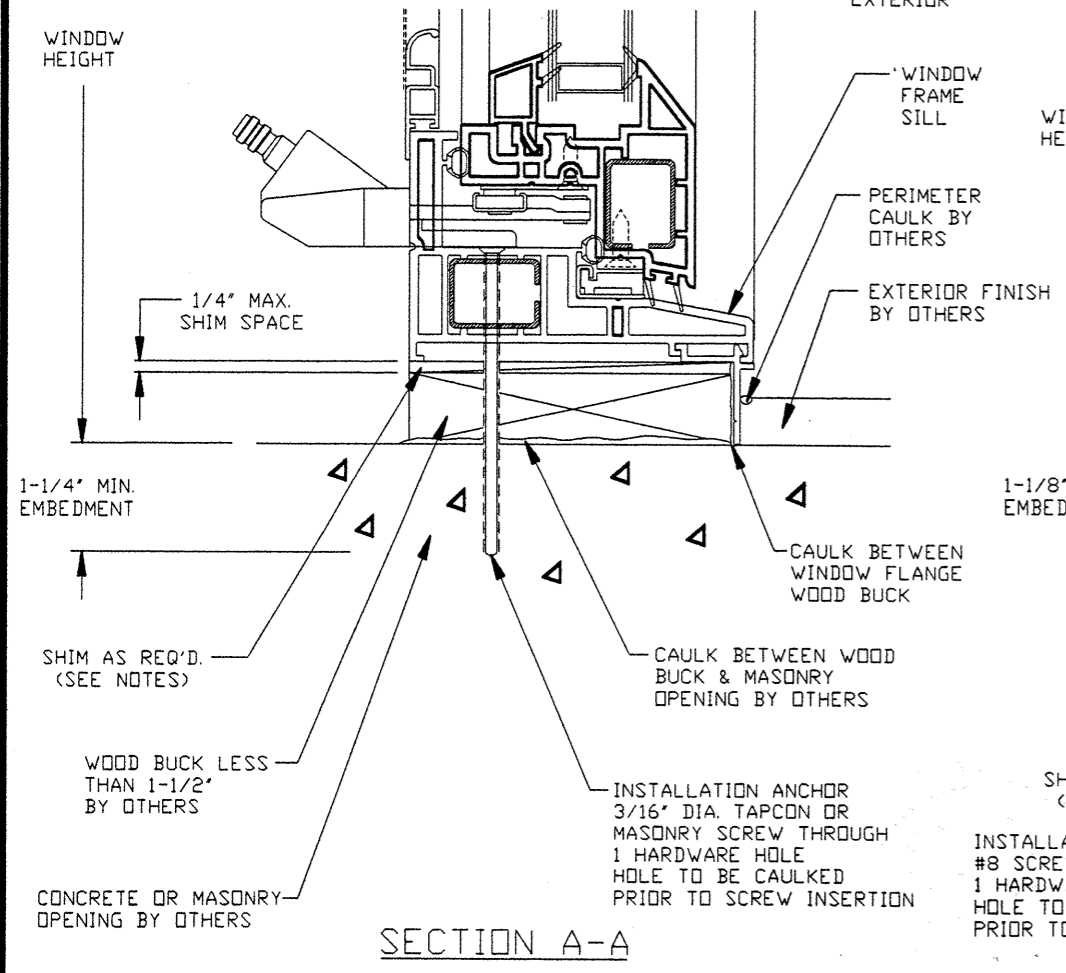
- NOTE:
- 1) WHEN INSTALLING 2-LITE CASEMENT WINDOW IN WOOD BUCK LESS THAN 1-1/2" OR WHERE NO BUCK IS PRESENT. PLACE 3/16" CONCRETE ANCHOR FASTENERS 6" FROM CORNERS OF HEAD & EA. JAMB & THROUGH 1 HOLE IN EA. OPERATOR ON THE SILL. ALSO EQUALLY SPACE 3/16" CONCRETE FASTENERS 24" O.C. MAX. IN HEAD & EACH JAMB.
 - 2) WHEN INSTALLING 2-LITE CASEMENT WINDOW IN WOOD BUCK GREATER THAN OR EQUAL TO 1-1/2", PLACE #8 SCREWS 6" FROM CORNERS OF HEAD & EA. JAMB & THROUGH 1 HOLE IN EA. OPERATOR ON THE SILL. ALSO EQUALLY PLACE #8 INSTALLATION SCREWS 24" O.C. MAX. IN HEAD & EACH JAMB.
 - 3) MAX. CASEMENT WINDOW SIZE IS 61" X 66". MAX. AWNING WINDOW SIZE IS 96" X 36". MAX. AWNING WINDOW STACKED IS 36" X 96".

NOTE: PRODUCT SIZES ARE BUCK SIZES PRIOR TO FLANGE ATTACHMENT.

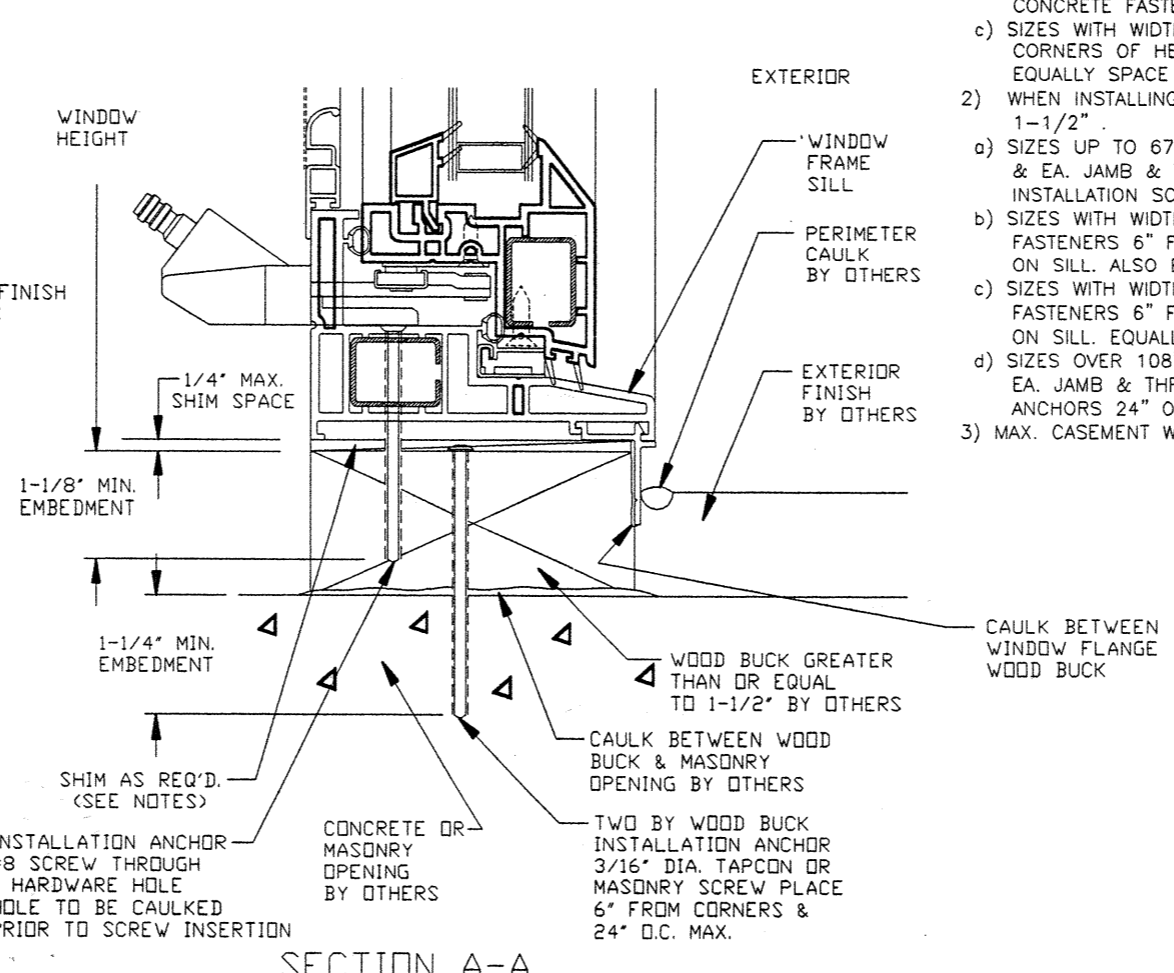


3-LITE ELEVATION
VIEWED FROM EXTERIOR

- NOTE:
- 1) WHEN INSTALLING 3-LITE CASEMENT WINDOW IN WOOD BUCK LESS THAN 1-1/2", OR WHERE NO BUCK IS PRESENT,
 - a) SIZES UP TO 74" X 61" PLACE 3/16" CONCRETE ANCHOR FASTENERS 6" FROM CORNERS OF HEAD & EA. JAMB & THROUGH 1 HOLE IN EACH OPERATOR ON SILL. ALSO EQUALLY SPACE 3/16" CONCRETE FASTENERS 24" O.C. MAX. IN HEAD & EACH JAMB.
 - b) SIZES OVER 74" X 61" & LESS THAN 102" X 61" PLACE CONCRETE SCREW ANCHORS 6" FROM CORNERS OF HEAD & EA. JAMB & THROUGH 1 HOLE IN EACH OPERATOR ON SILL. ALSO EQUALLY SPACE CONCRETE FASTENERS 24" O.C. MAX. IN HEAD & EACH JAMB.
 - c) SIZES WITH WIDTH OVER 102" X 61" PLACE 3/16" MASONRY ANCHOR FASTENERS 6" FROM CORNERS OF HEAD & EA. JAMB & THROUGH 1 HOLE IN EACH OPERATOR ON SILL. ALSO EQUALLY SPACE CONCRETE FASTENERS 24" O.C. MAX. IN HEAD & EACH JAMB.
 - 2) WHEN INSTALLING 3-LITE CASEMENT WINDOW IN WOOD BUCK GREATER THAN OR EQUAL TO 1-1/2"
 - a) SIZES UP TO 67" X 61" PLACE #8 SCREW ANCHOR FASTENERS 6" FROM CORNERS OF HEAD & EA. JAMB & THROUGH 1 HOLE IN EACH OPERATOR ON SILL. ALSO EQUALLY SPACE #8 INSTALLATION SCREW ANCHOR 24" O.C. MAX. IN HEAD & EA. JAMB.
 - b) SIZES WITH WIDTH OVER 67" X 61" & LESS THAN 87" X 61" PLACE #8 SCREW ANCHOR FASTENERS 6" FROM CORNERS OF HEAD & EA. JAMB & THROUGH 1 HOLE IN EACH OPERATOR ON SILL. ALSO EQUALLY SPACE #8 SCREW ANCHOR 24" O.C. MAX. IN HEAD & EA. JAMB.
 - c) SIZES WITH WIDTH OVER 86" X 61" & LESS THAN 109" X 61" PLACE #8 SCREW ANCHOR FASTENERS 6" FROM CORNERS OF HEAD & EA. JAMB & THROUGH 1 HOLE IN EACH OPERATOR ON SILL. EQUALLY SPACE #8 SCREW ANCHORS 24" O.C. MAX. IN HEAD & EA. JAMB.
 - d) SIZES OVER 108" X 61" PLACE #8 SCREW ANCHOR FASTENERS 6" FROM CORNERS OF HEAD & EA. JAMB & THROUGH 1 HOLE IN EA. OPERATOR ON THE SILL. EQUALLY SPACE #8 SCREW ANCHORS 24" O.C. MAX. IN HEAD & EACH JAMB.
 - 3) MAX. CASEMENT WINDOW SIZE IS 122" X 66".



SECTION A-A



SECTION A-A

STANEK WINDOW CO.		
TITLE: SERIES 2000 & 4000 CASEMENT & AWNING WINDOW ELEVATION IN MASONRY		
ENGINEER: MANUEL MARTINEZ	DRN: BB	DATE: 6/04/02
DISCIPLINE: CIVIL	SCALE: N.T.S.	DWG. NO: STAN0005-2
FL. REG. NO: 47182	REV. LETTER:	SHEET: 2 OF 2