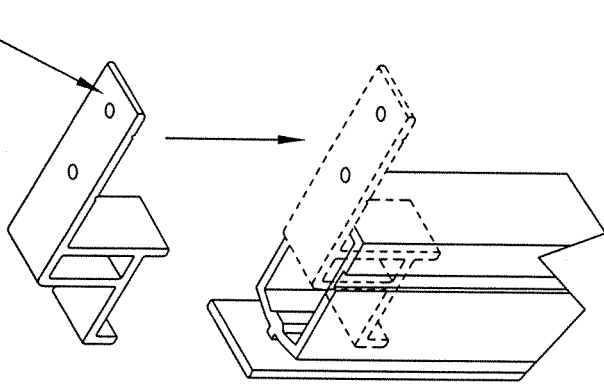


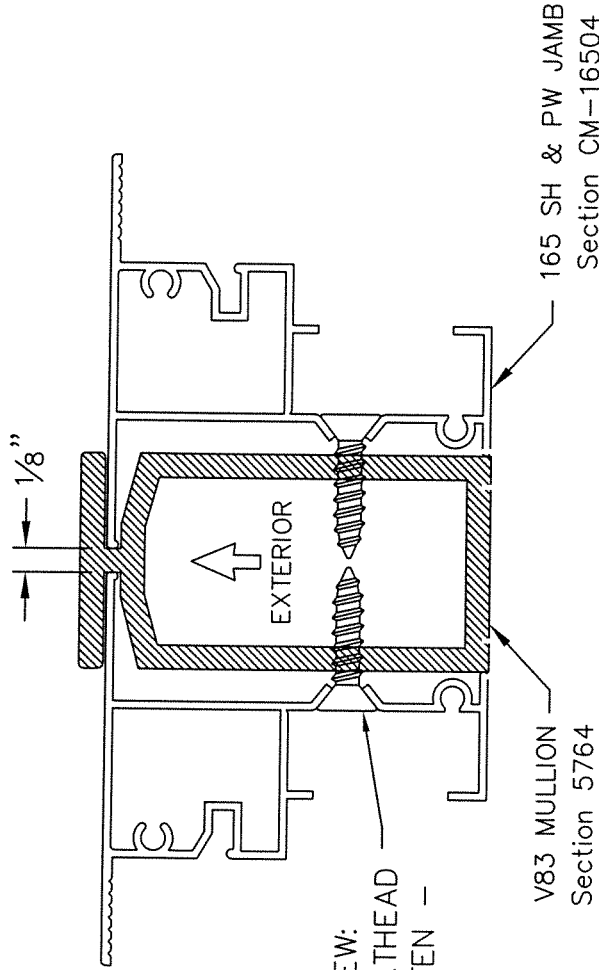
Series V83 STRUCTURAL VERTICAL MULLION

165 SH & PW - FLANGE FRAME -

3/16" Clearance Holes
(Field Drilled)



Attach clip to construction using
#10 x 1 1/2" screws as described
on reverse side of sheet.



RECOMMENDED SCREW:
#8 X 3/4" PHILLIPS FLATHEAD
- DO NOT OVERTIGHTEN -

V83 MULLION Section 5764
165 SH & PW JAMB Section CM-16504

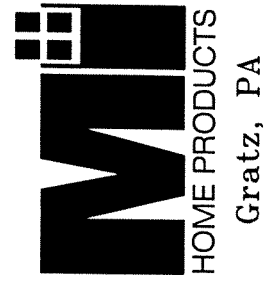
SERIES 165 SINGLE HUNG OR FIXED MULLED SIDE BY SIDE

STANDARD HEIGHTS ----- CONVENTIONAL SIZES

FLORIDA FLANGE SIZES

CODE SIZE	WINDOW HT.		WINDOW HT.		MULL HT.	
	TTT HEIGHT	I.D. HEIGHT	TTT HEIGHT	I.D. HEIGHT	PART LENGTH	PART LENGTH
2	26"	25"	24 5/8"	23 5/8"	26"	24 5/8"
3	38 3/8"	37 3/8"	36 5/8"	35 5/8"	38 3/8"	36 5/8"
4	50 5/8"	49 5/8"	48 5/8"	47 5/8"	50 5/8"	48 5/8"
4/5	56 1/8"	55 1/8"	52 5/8"	51 5/8"	56 1/8"	52 5/8"
5	63"	62"	60 5/8"	59 5/8"	63"	60 5/8"
6	72"	71"	72 5/8"	71 5/8"	72"	72 5/8"

Handwritten: 4/4/4
12-2002



MI HOME PRODUCTS**VERTICAL MULLION DESIGN LOAD CAPACITIES**

**FOR ALUMINUM V43 TUBE MULLION (DIE # 5766; APROX. SIZE: 1 5/8" X 2 1/8" X 1/8")
WHEN USED TO MULL FLANGE FRAME WINDOWS**

V83

CA000022-A

04-Oct-2001

01-1004

WDW. WTH. > MULL SPAN V	24.000	30.000	36.000	37.000	42.000	48.000	53.125
36.000	240.0	218.2	213.3	213.3	213.3	213.3	213.3
42.000	192.0	171.4	160.0	160.0	157.4	157.4	157.4
48.000	160.0	139.1	128.0	126.3	121.5	120.0	120.0
50.625	150.0	129.7	117.1	115.7	111.6	107.9	107.9
54.000	137.1	118.5	106.7	105.5	100.0	96.0	95.0
60.000	110.1	94.0	83.9	82.6	77.4	73.4	71.4
63.000	94.0	79.9	71.0	69.9	65.2	61.5	59.4
72.000	61.2	51.5	45.3	44.5	41.1	38.2	36.5

NOTES:

- * CHART APPLIES ONLY TUBE MULLION #5766 WHEN USED TO VERTICAL MULL SERIES 165 SINGLE HUNG OR FIXED WINDOWS.
- * READ WINDOW WIDTH AND MULL SPAN IN INCHES.
- * WINDOW WIDTH DIMENSIONS REPRESENT THE WIDTH OF EACH WINDOW IN A SINGLE OPENING, NOT THE OVERALL WIDTH OF THE OPENING.
- * DESIGN PRESSURE VALUES ARE NOT LIMITED TO TWO WINDOWS IN A SINGLE OPENING, AND APPLY WHERE ANY NUMBER OF MULLIONS ARE EMPLOYED IN A SINGLE OPENING.
- * DESIGN PRESSURE VALUES ON THIS CHART ARE IN PSF.
- * $D_{max} = L/175$
- * MULLION MUST BE ANCHORED TO SUBSTRATE WITH CLIP NUMBER SECT5795 USING TWO #10 X 1-1/2 SCREWS IN WOOD OR TWO 3/16 IN DIA. X 1-1/2 RAWL TAPPERS OR APPROVED EQUAL IN MASONRY OR CONCRETE.

PREPARED BY:

PRODUCT & APPLICATION ENGINEERING, INC.

250 INTERNATIONAL PARKWAY

SUITE 250

HEATHROW, FLORIDA 32746

PHONE 407 805-0365 / FAX 407 805-0366

02-13-02