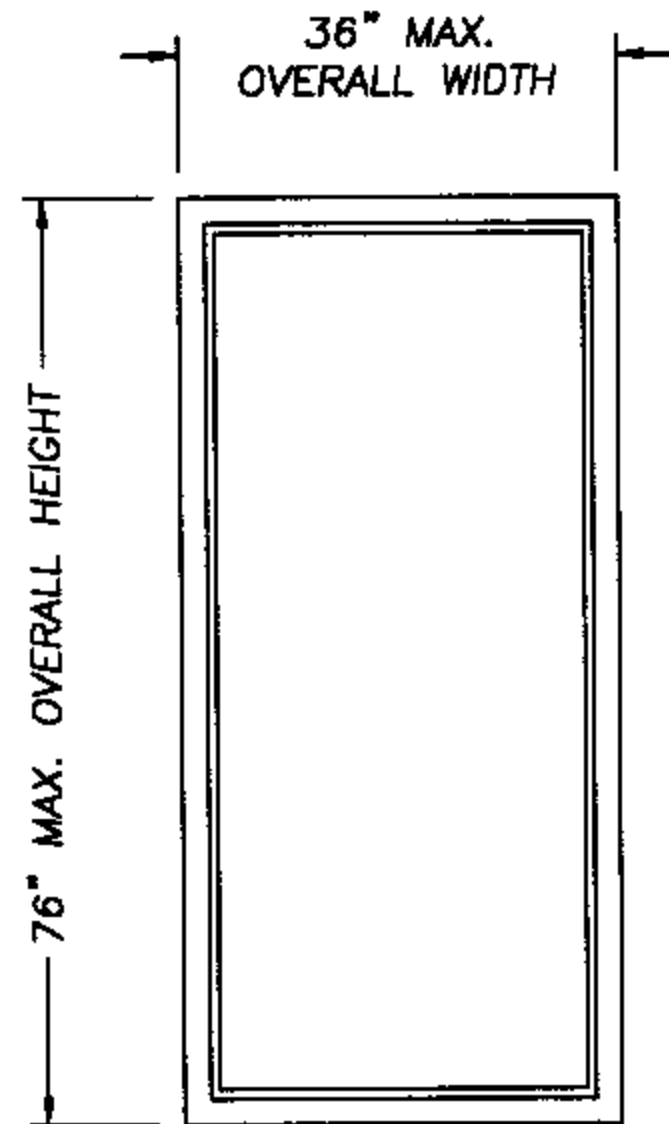


GREAT LAKES WINDOW

EXTRUDED VINYL OPERATING CASEMENT WINDOW



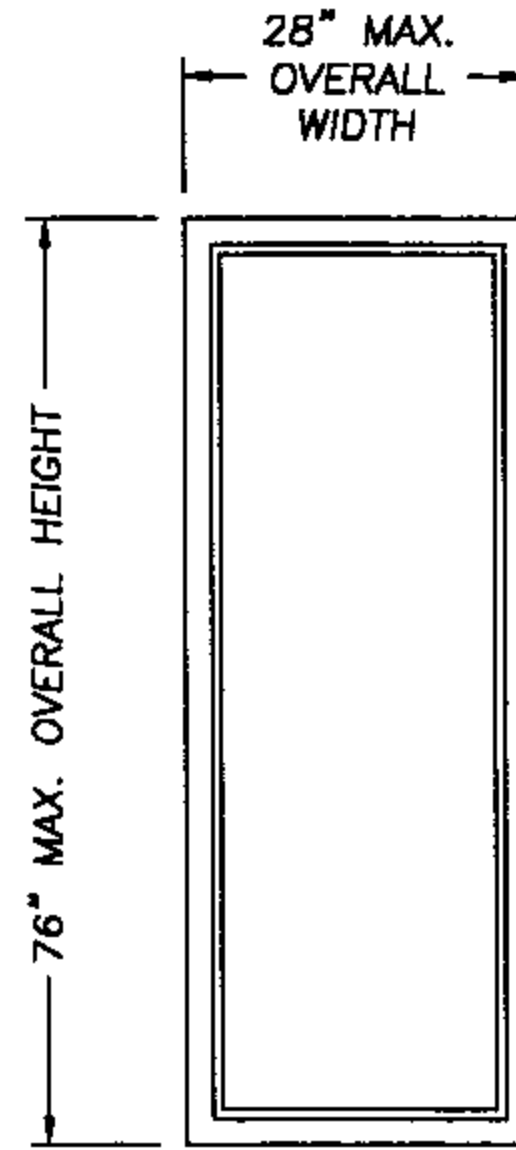
X

DESIGN PRESSURE RATING
POS. 40.0 NEG. 40.0

GLASS TABLE
7/8" INSULATED GLASS 3/16" ANN. - AIR - 3/16" ANN.

GENERAL NOTES

1. THIS PRODUCT IS DESIGNED TO COMPLY WITH THE FLORIDA BUILDING CODE.
2. PRODUCT ANCHORS SHALL BE AS LISTED AND SPACED AS SHOWN ON DETAILS.
3. WHEN THIS PRODUCT IS USED IN AN AREA REQUIRING WINDBORNE DEBRIS PROTECTION, FLORIDA BUILDING CODE APPROVED IMPACT RESISTANT SHUTTERS ARE REQUIRED.
4. MASONRY ANCHORING FOR 1x BUCK SEE SHEET 2 OF 3.
5. MASONRY ANCHORING FOR 2x BUCK SEE SHEET 3 OF 3.



X

DESIGN PRESSURE RATING
POS. 45.0 NEG. 50.0
GLASS TABLE
7/8" INSULATED GLASS 3/16" ANN. - AIR - 3/16" ANN.

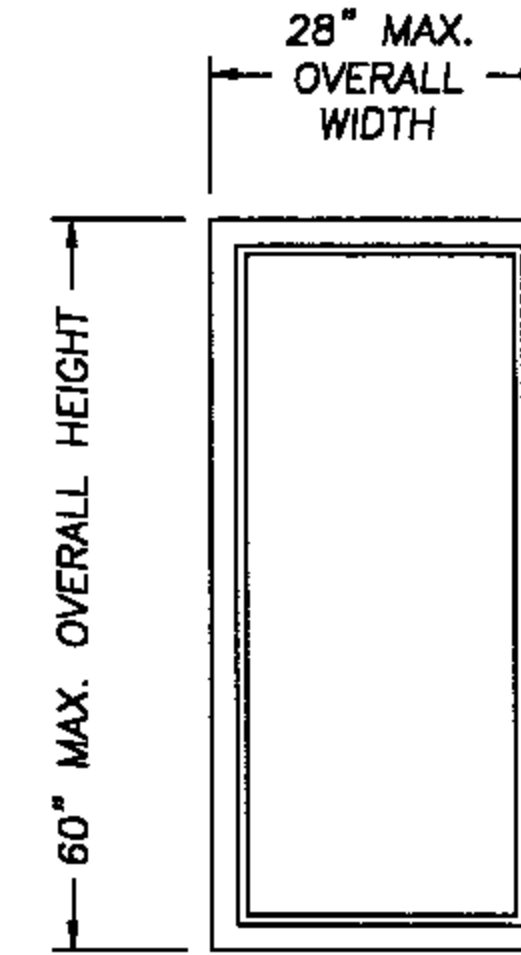
(ACHIEVED BY COMPARISON ANALYSIS)

DESIGN PRESSURE RATING
POS. 37.0 NEG. 37.0
GLASS TABLE
7/8" INSULATED GLASS 1/8" ANN. - AIR - 1/8" ANN.

(ACHIEVED BY COMPARISON ANALYSIS)

PRODUCT DESCRIPTION

1. VINYL OPERATING CASEMENT WINDOW WITH MITERED AND WELDED CORNERS.
2. THE HEAD AND SIDE JAMBS ARE EXTRUDED VINYL WITH AN EXTERIOR WALL THICKNESS OF 0.070" +/- 0.008".



X

DESIGN PRESSURE RATING
POS. 55.0 NEG. 60.0
GLASS TABLE
7/8" INSULATED GLASS 3/16" ANN. - AIR - 3/16" ANN.

(ACHIEVED BY COMPARISON ANALYSIS)

DESIGN PRESSURE RATING
POS. 48.0 NEG. 48.0
GLASS TABLE
7/8" INSULATED GLASS 1/8" ANN. - AIR - 1/8" ANN.

(ACHIEVED BY COMPARISON ANALYSIS)

Lyndon F. Schmidt
JULY 16, 2002

Lyndon F. Schmidt
Florida P. E. No. 43409
19506 French Lace Drive Lutz, FL 33558

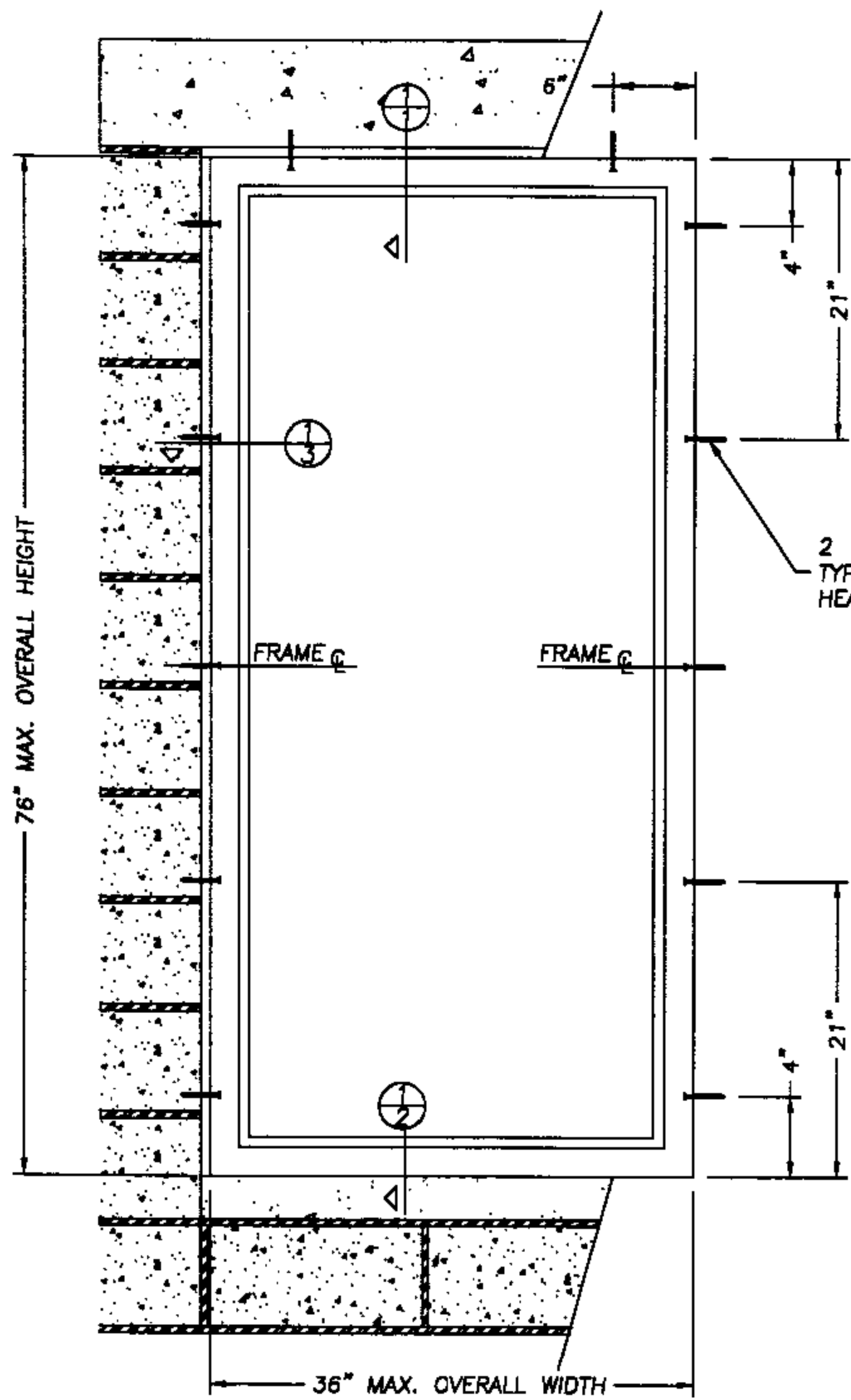
Great Lakes Window
3049 Tracy Road
PO Box 1896
Toledo, Ohio 43603-1896
PH. 419.662.3505

PRODUCT: GREAT LAKES
EXTRUDED VINYL
OPERATING CASEMENT WINDOW
PART OR ASSEMBLY:
GENERAL NOTES &
TYPICAL ELEVATIONS

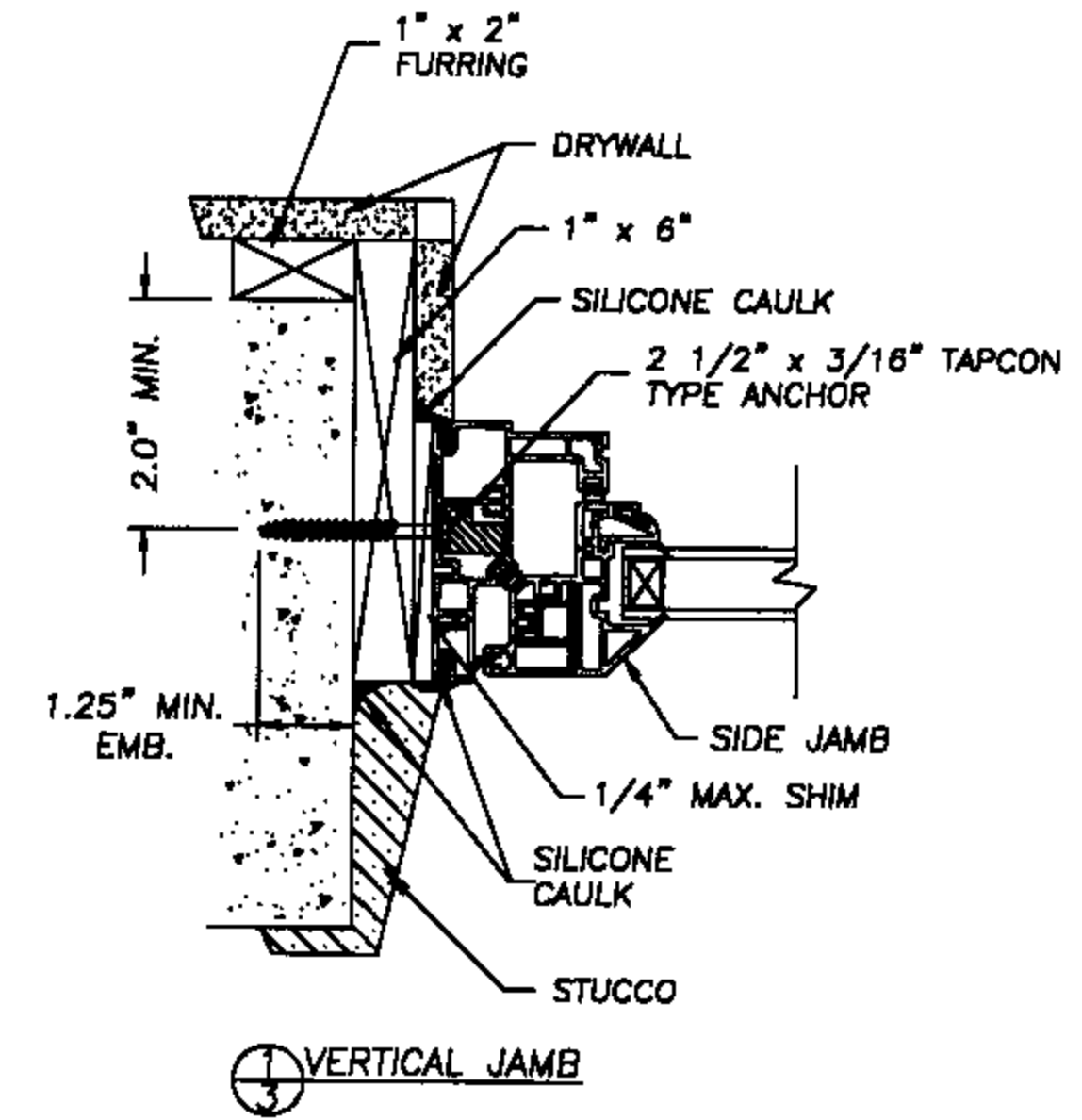
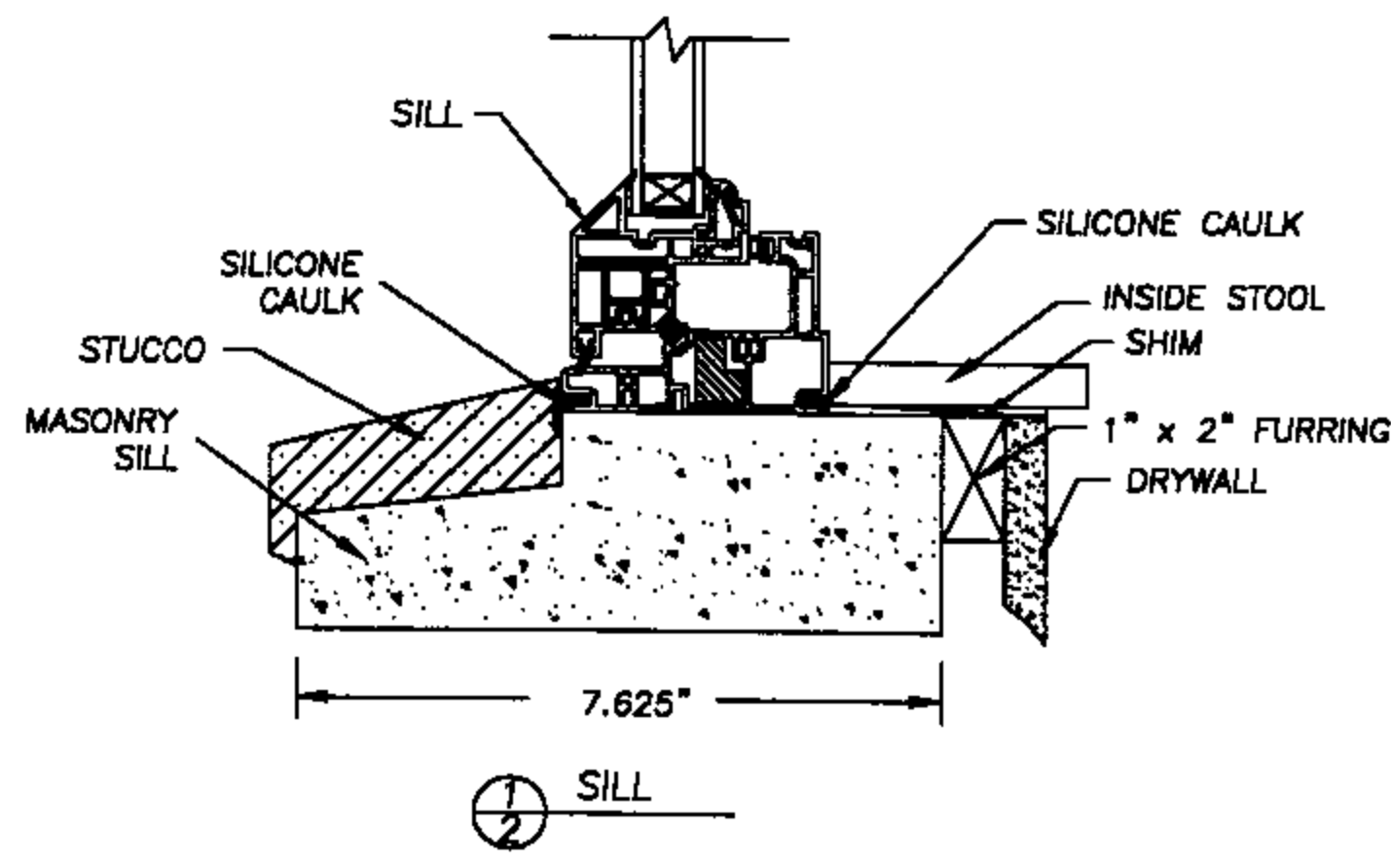
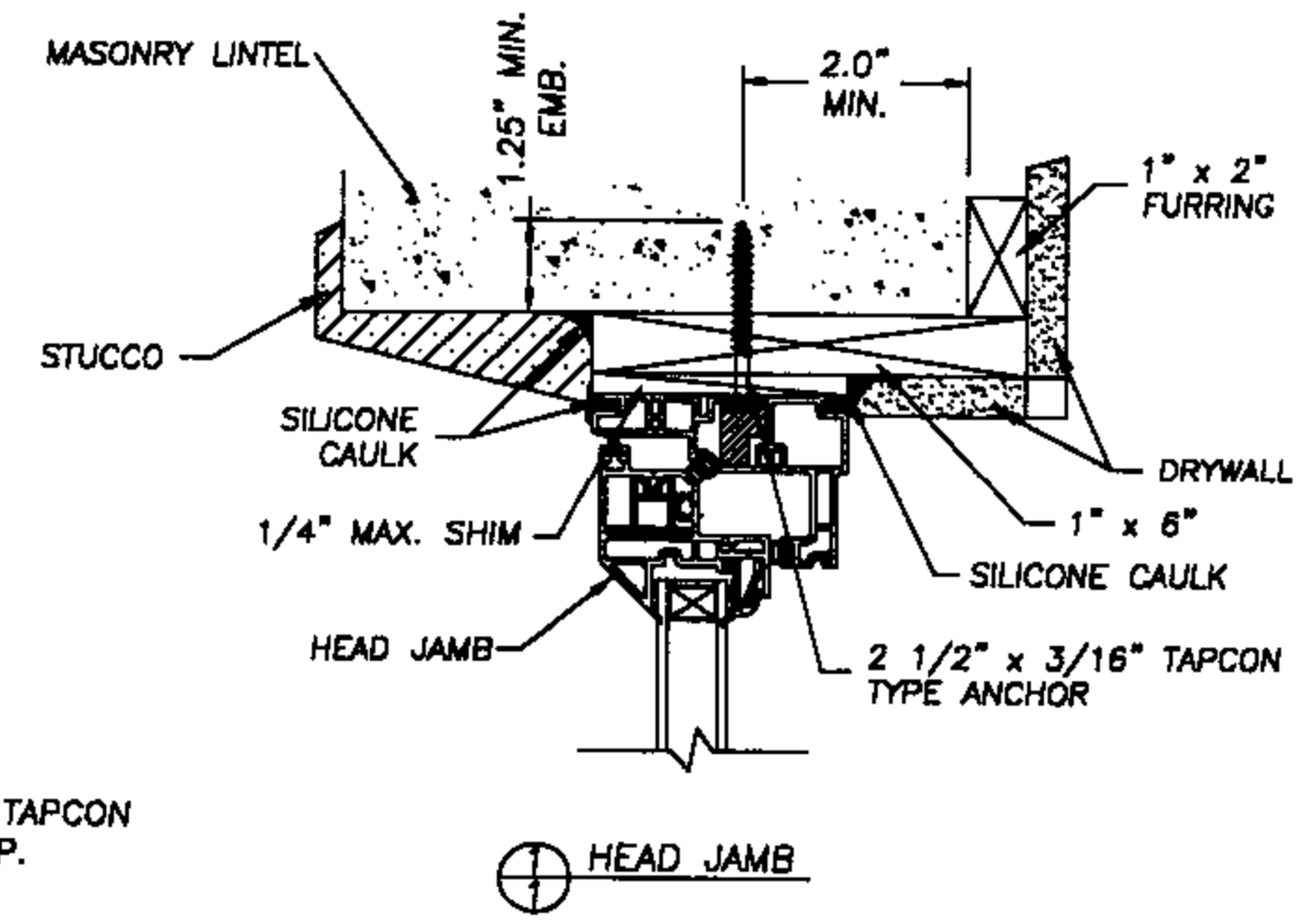
NO.	DATE	BY	REVISIONS

RW BUILDING
CONSULTANTS, INC.
813.659.9197

DATE: 6/20/02
SCALE: N.T.S.
DWG. BY: WLN
CHK. BY: RW
DRAWING NO.:
GL-104-OC
SHEET 1 OF 3



2 1/2" x 3/16" TAPCON
TYPE ANCHOR, TYP.
HEAD & SIDES



NOTE:

Adjust Tapcan anchor locations, if necessary, to maintain a minimum 2.0" clearance from mortar joints.

JULY 16, 2002

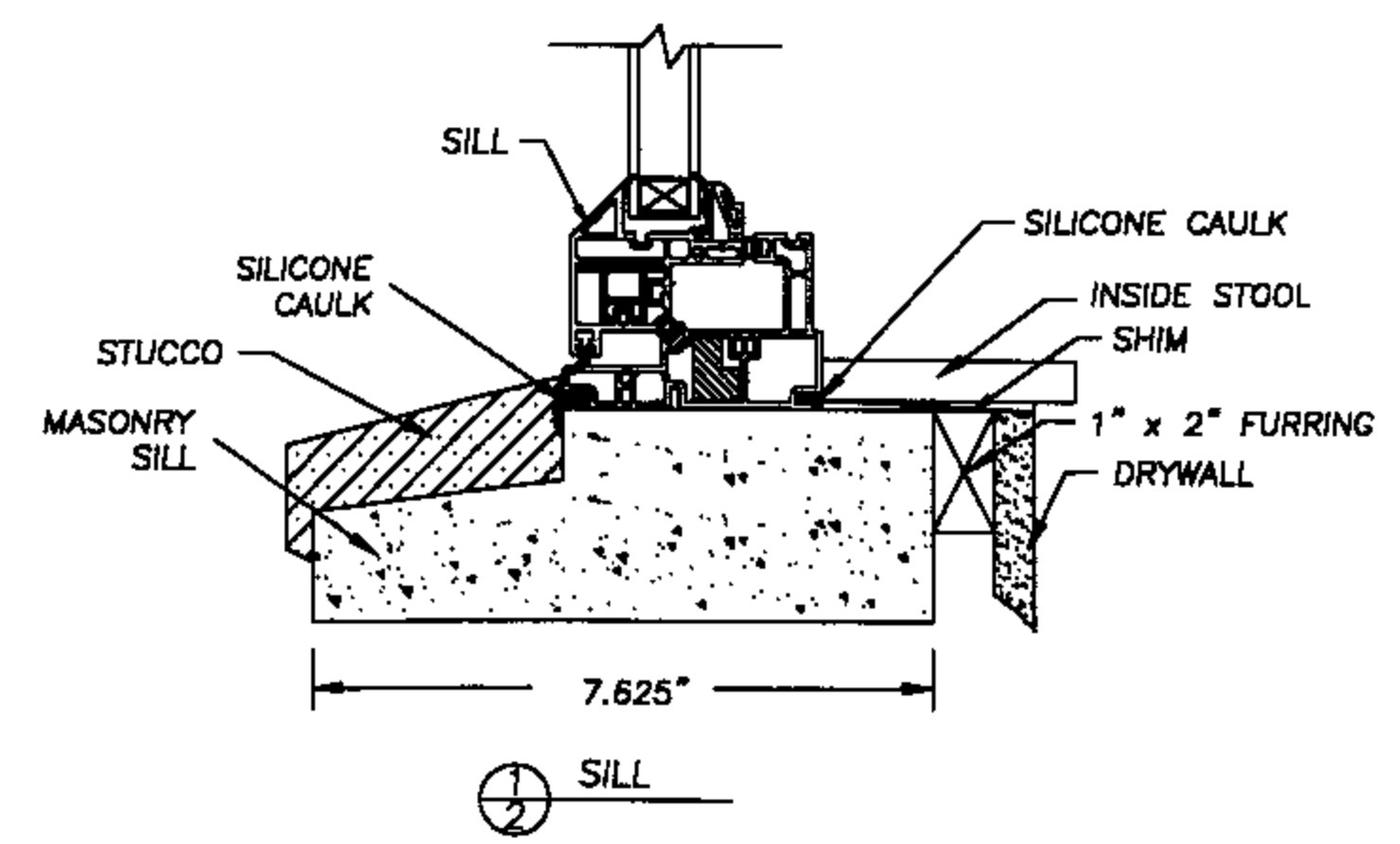
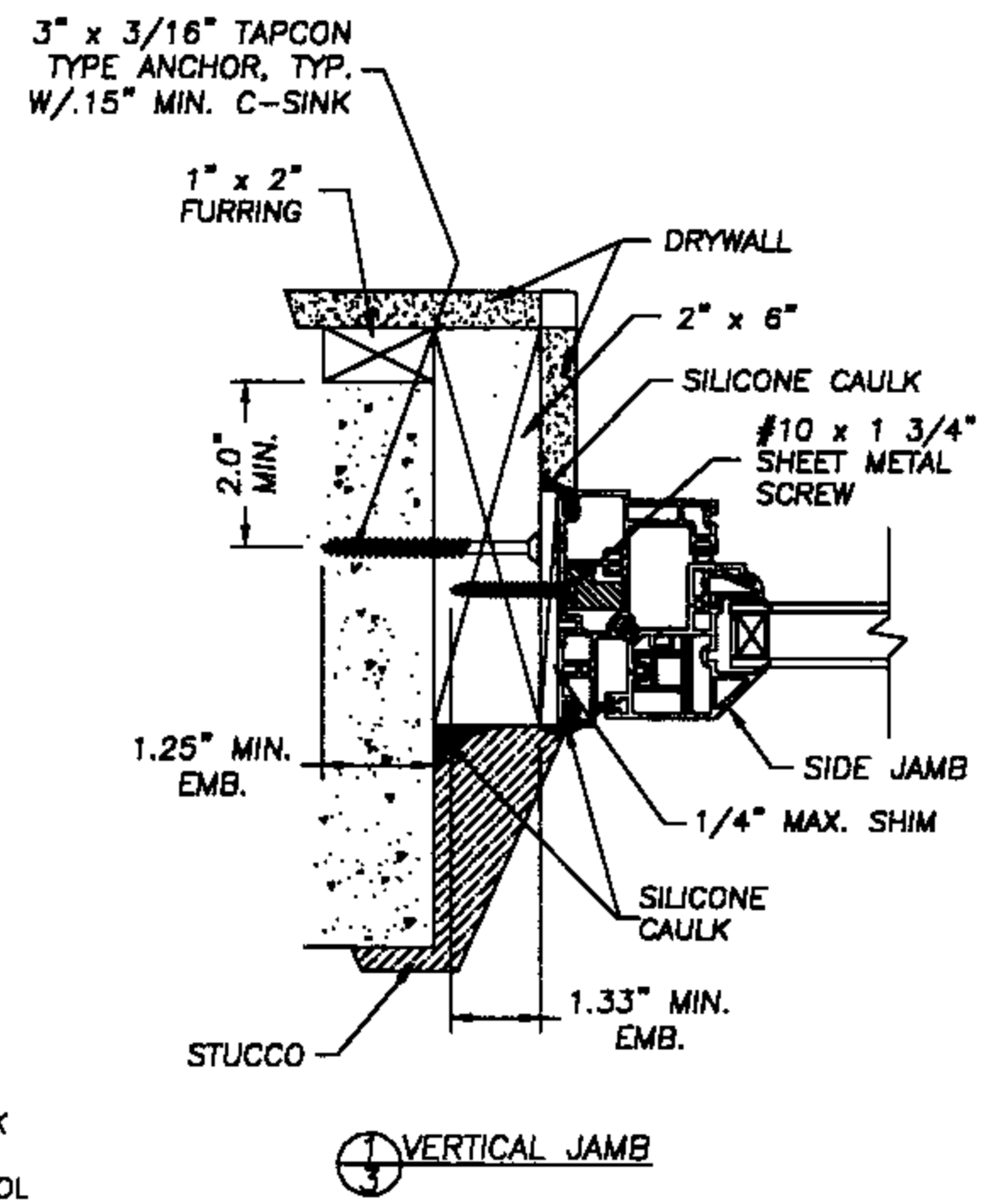
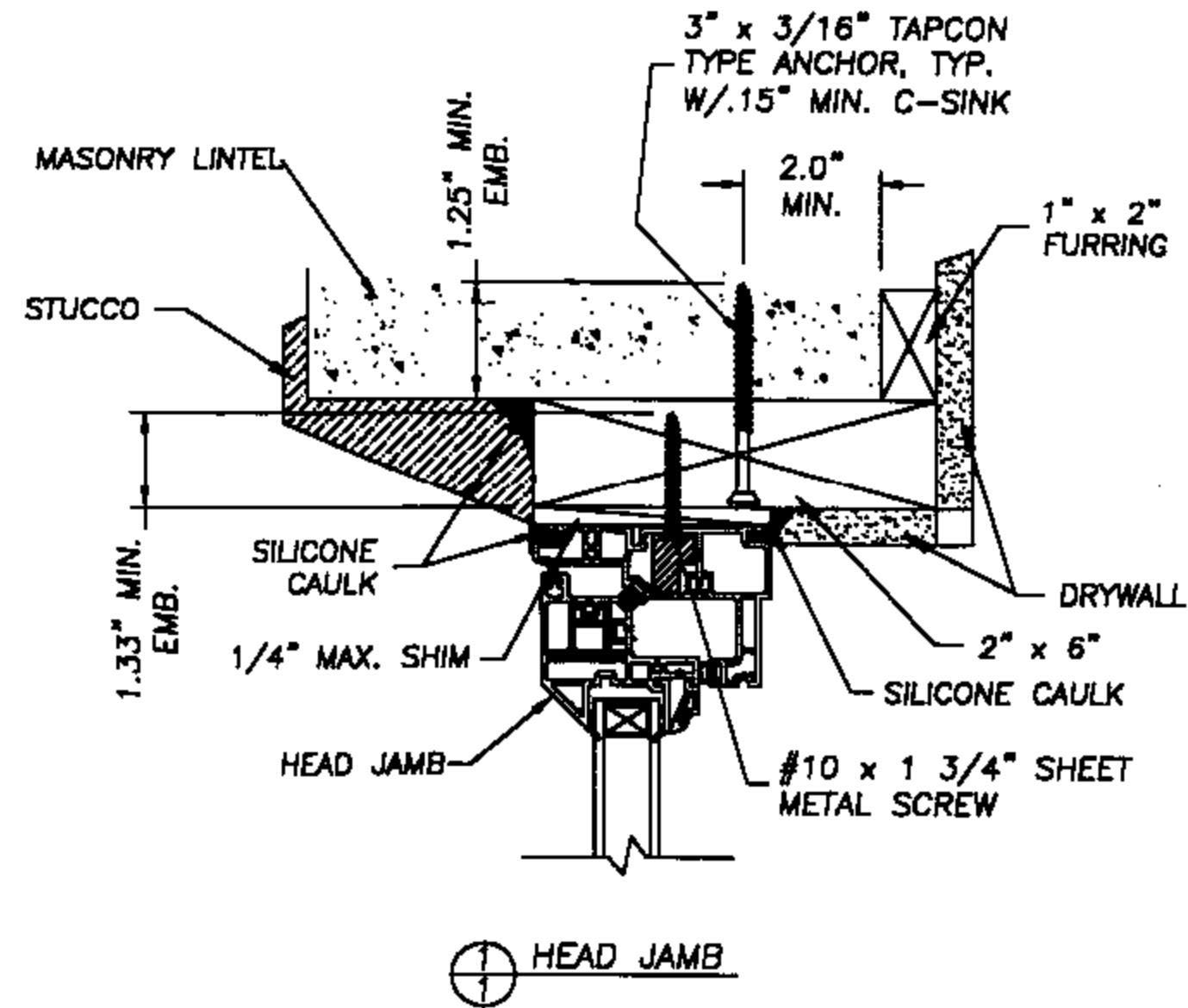
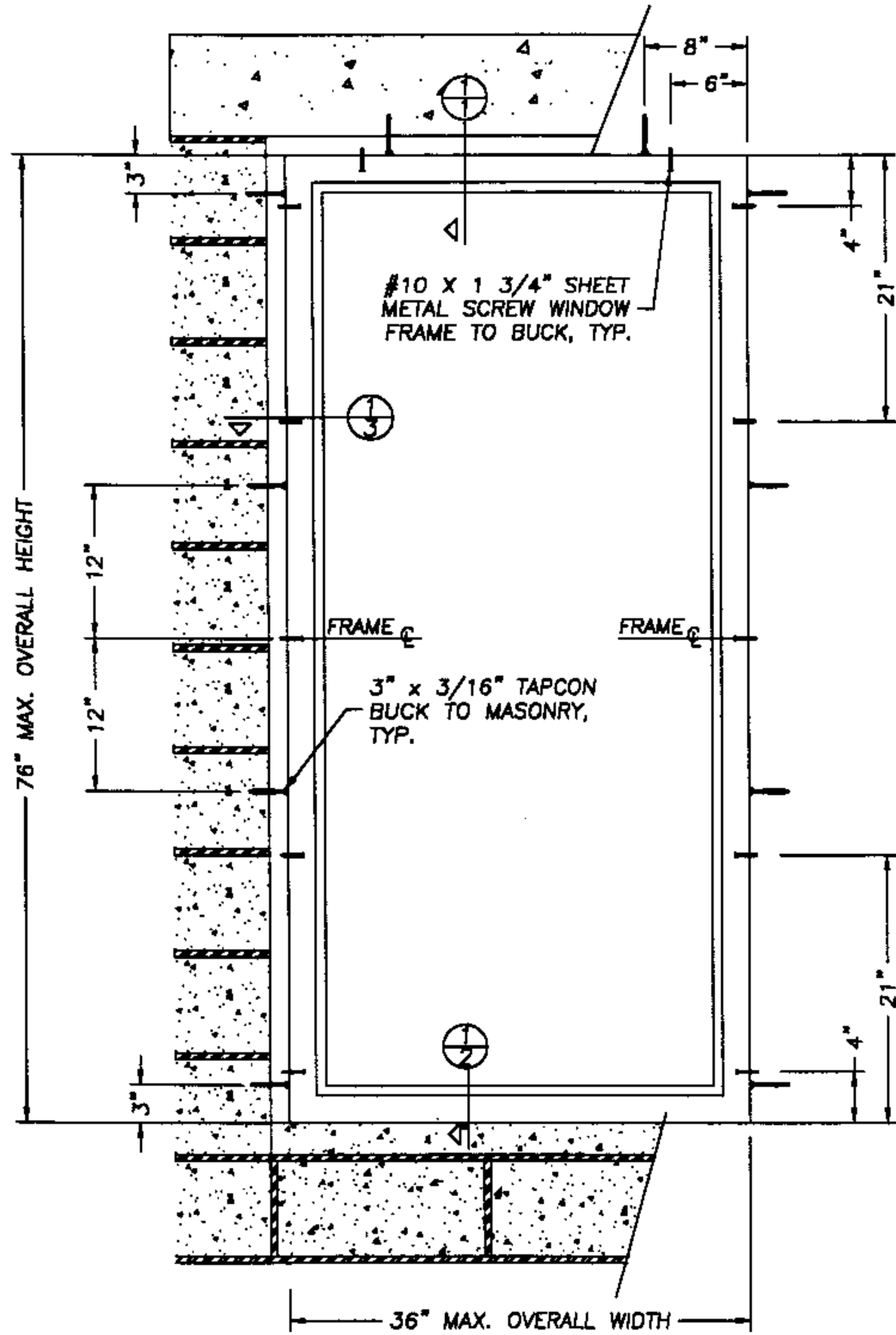
Lyndon F. Schmidt
Florida P. E. No. 43409
19506 French Lace Drive
Lutz, FL 33558

Great Lakes Window
3049 Tracy Road
PO Box 1896
Toledo, Ohio 43603-1896
PH. 419.662.3505

ANCHORING CROSS SECTIONS
FOR 1X BUCK TO MASONRY
OPERATING CASEMENT
VINYL WINDOW

RW BUILDING
CONSULTANTS, INC.
813.659.9197

DATE: 6/20/02
SCALE: N.T.S.
DWG. BY: WLN
CHK. BY: R.W.
DRAWING NO.:
GL-104-OC
SHEET 2 of 3



NOTE:

Adjust Tapcon anchor locations, if necessary, to maintain a minimum 2.0" clearance from mortar joints.

JULY, 16 2002

Lyndon F. Schmidt
 Florida P. E. No. 43409
 19506 French Lace Drive
 Lutz, FL 33558

Great Lakes Window
 3049 Tracy Road
 PO Box 1896
 Toledo, Ohio 43603-1896
 PH. 419.662.3505

ANCHORING CROSS SECTIONS
 FOR 2X BUCK TO MASONRY
 OPERATING CASEMENT
 VINYL WINDOW

RW BUILDING
 CONSULTANTS, INC.
 813.659.9197

DATE: 6/20/02
 SCALE: N.T.S.
 DWG. BY: WLN
 CHK. BY: R.W.
 DRAWING NO.:
 GL-104-OC
 SHEET 3 OF 3