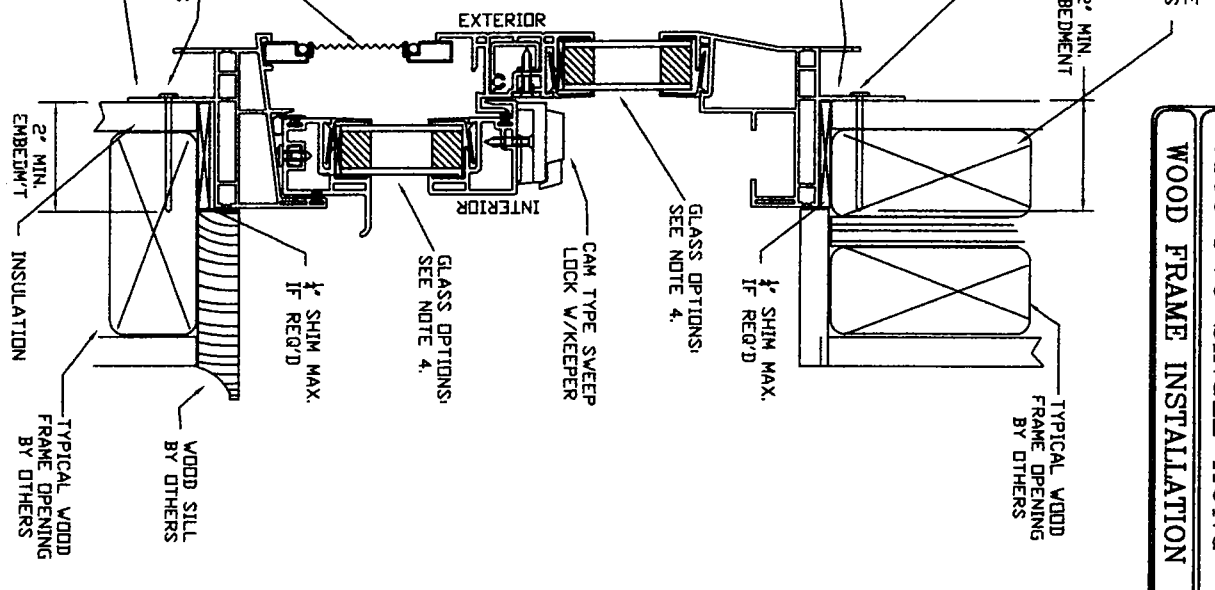
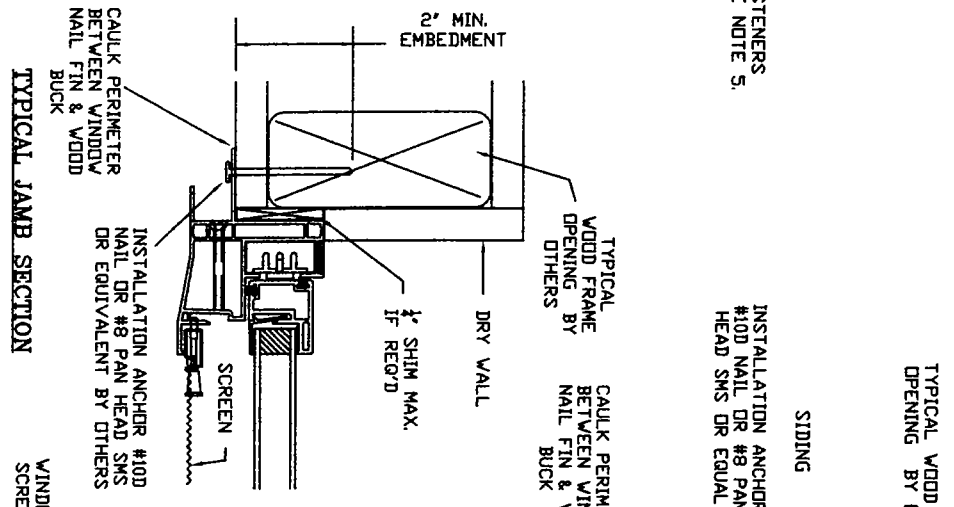
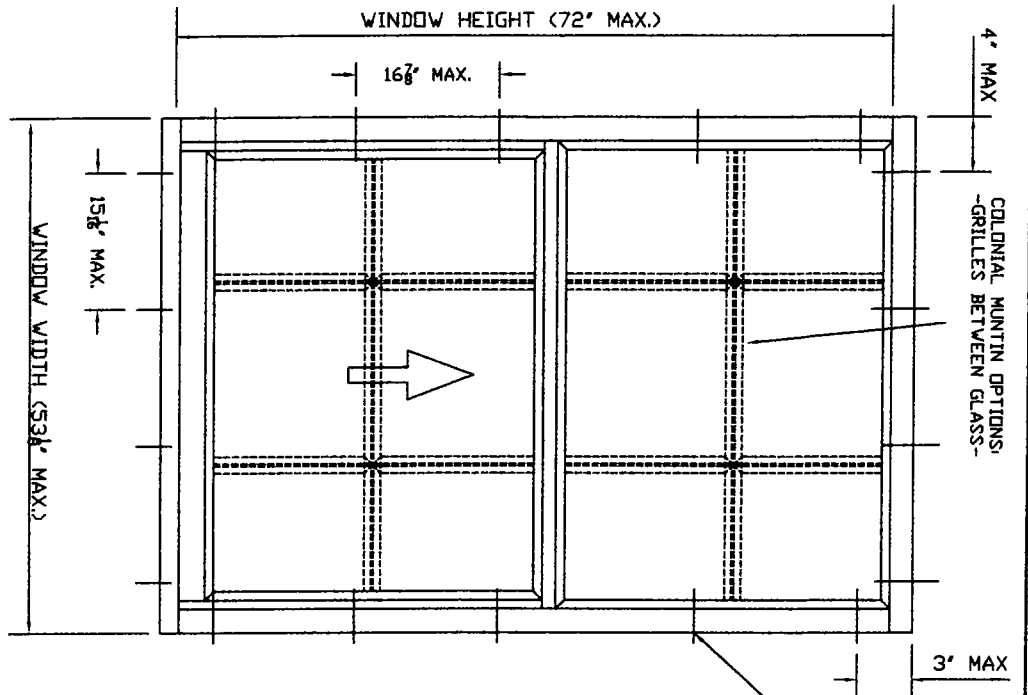


PRODUCT SERIES:
7100 PVC SINGLE HUNG
WOOD FRAME INSTALLATION



- WINDOW INSTALLATION NOTES:**
1. DESIGN STRUCTURAL LOAD: 25 PSF/H-R25 & 50 PSF/H-R50
 2. CERTIFIED TEST REPORT: CTL-886W-1 & CTLA-886W-4
 3. FRAME: PVC/FIN TYP
 4. GLASS: SINGLE PANE & INSULATED
 5. FASTENERS: 304 SS OR COATED FOR CORROSION RESISTANCE
 6. GLAZING: EXTERIOR GLAZED WITH ADHESIVE BACK-BEDDING
 7. WINDOW SEALANTS: COMPLY W/MAMA 800-92 OR EQUIVALENT.
 8. STATE & LOCAL BLDG. CODES. CONFORMANCE IS SOLE RESPONSIBILITY OF THE ARCHITECT, BLDG. OWNER OR CONTRACTOR.

SEASONSHIELD INC.
 DRAWING NUMBER

71W
 1 of 1
 Engineering Approvals:
 Douglas Preston, PE
 FL License No. 53291
 11531 Wellman Dr.
 Riverview, FL 33569 (813.689.9418)

***** NOTE *****
 PE certification is for structural loads only.

Douglas Preston
 3.31.02
 TYPICAL ELEVATION SECTION

Date: 03/02/02
 Scale: N.T.S.
 Drawn By: NGH

