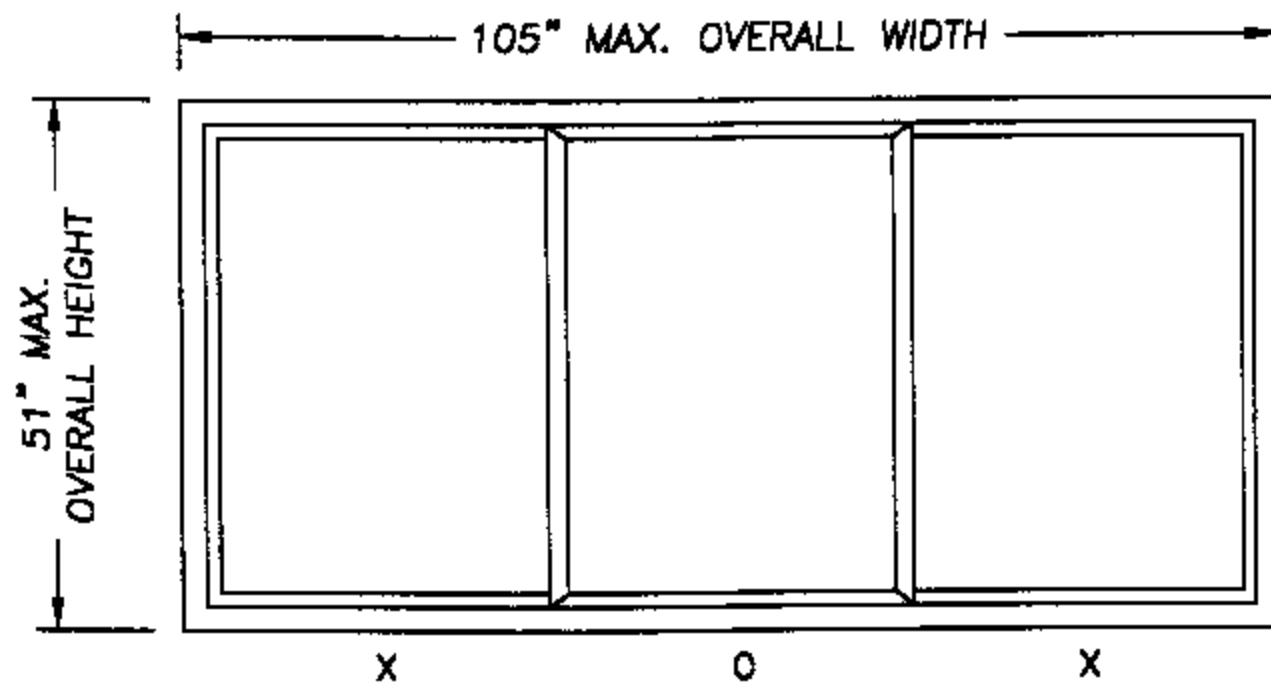
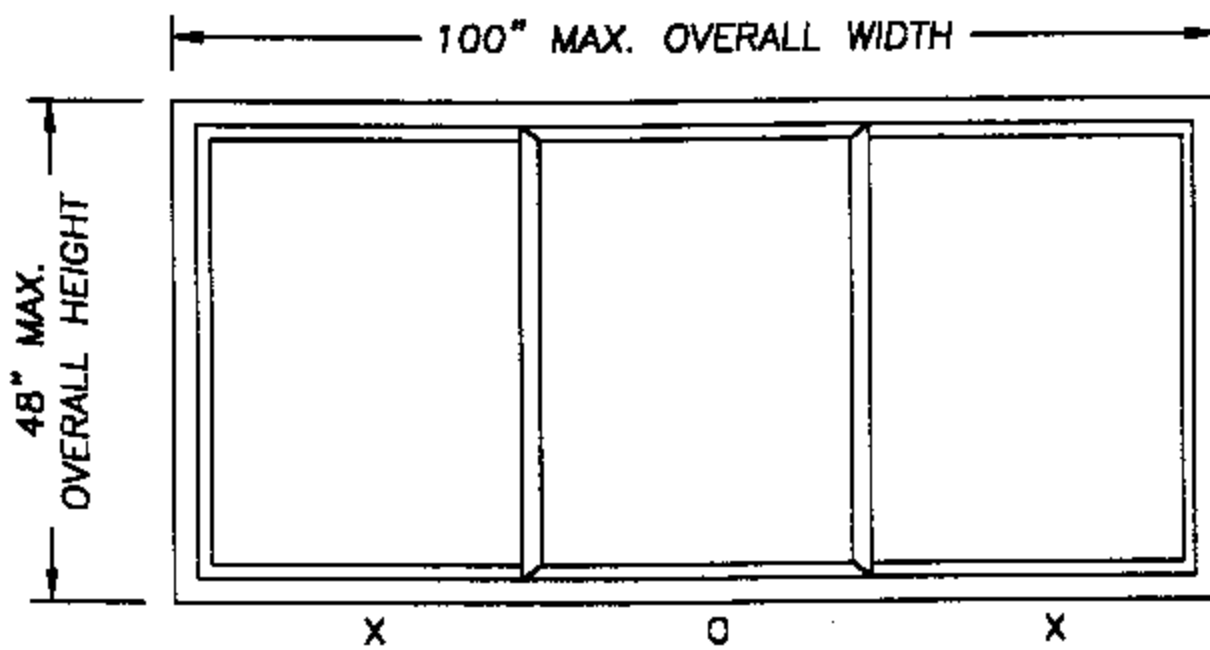


# SEARS HOME IMPROVEMENT PRODUCTS

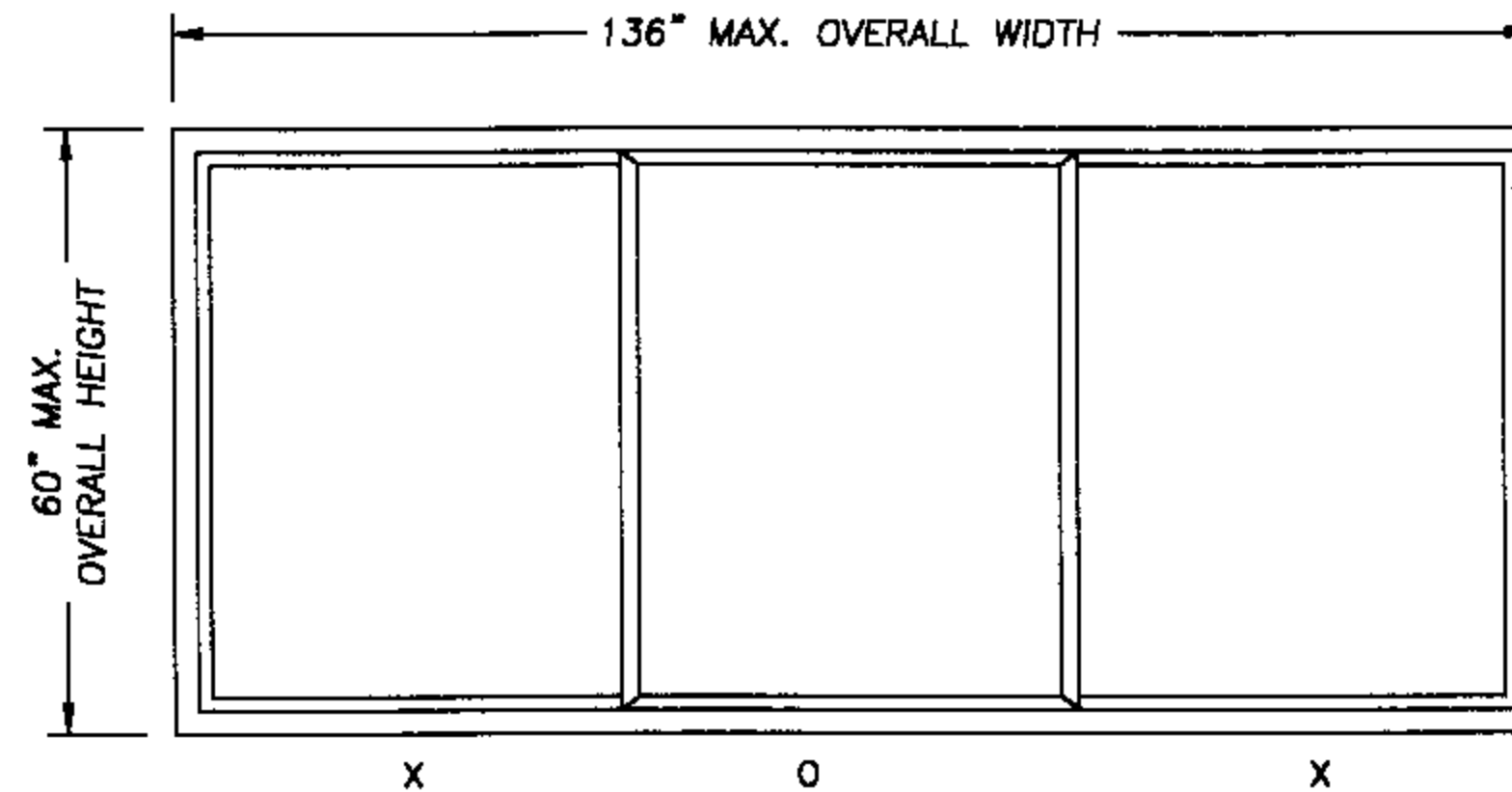
7000 SERIES (AS MFG. BY SIMONTON SERIES 07-70 / 75-75)  
EXTRUDED VINYL ENDVENT WINDOW



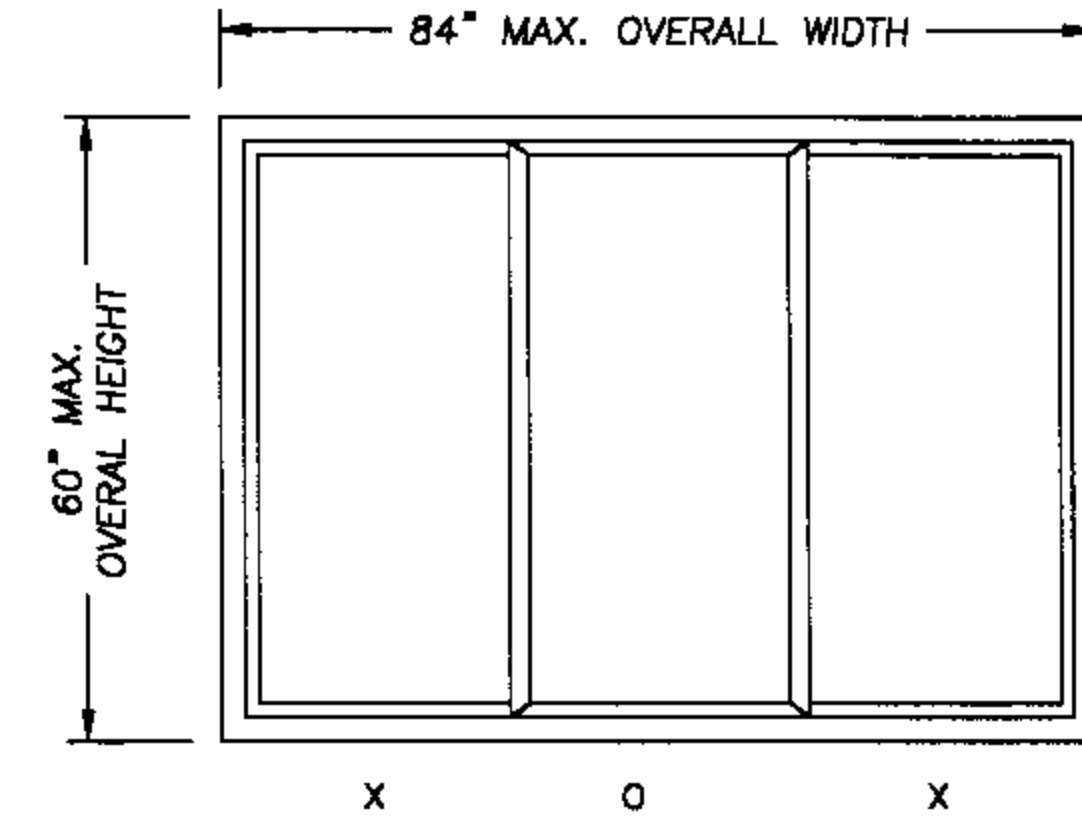
| DESIGN PRESSURE RATING              |           |
|-------------------------------------|-----------|
| POS. 50.0                           | NEG. 50.0 |
| 1" INSULATED GLASS                  |           |
| 3/16" ANN. - AIR SPACE - 3/16" ANN. |           |



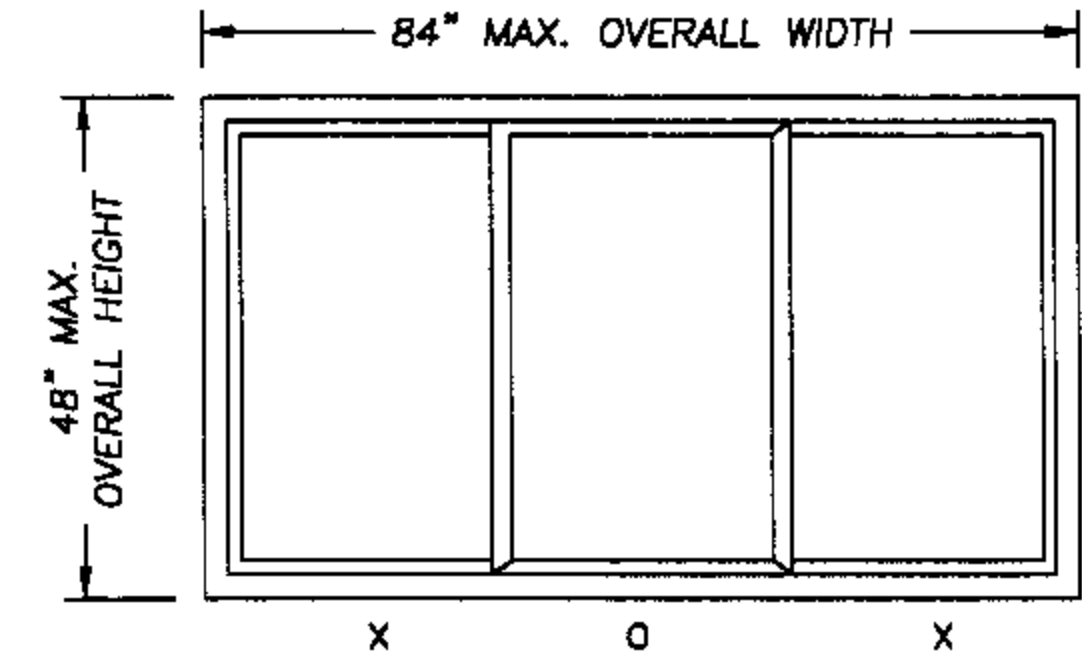
| DESIGN PRESSURE RATING            |           |
|-----------------------------------|-----------|
| POS. 45.0                         | NEG. 45.0 |
| 3/4" INSULATED GLASS              |           |
| 1/8" ANN. - AIR SPACE - 1/8" ANN. |           |



| DESIGN PRESSURE RATING              |           |
|-------------------------------------|-----------|
| POS. 30.0                           | NEG. 30.0 |
| 3/4" INSULATED GLASS                |           |
| 3/16" ANN. - AIR SPACE - 3/16" ANN. |           |



| DESIGN PRESSURE RATING            |           |
|-----------------------------------|-----------|
| POS. 30.0                         | NEG. 30.0 |
| 3/4" INSULATED GLASS              |           |
| 1/8" ANN. - AIR SPACE - 1/8" ANN. |           |



| DESIGN PRESSURE RATING            |           |
|-----------------------------------|-----------|
| POS. 55.0                         | NEG. 55.0 |
| 3/4" INSULATED GLASS              |           |
| 1/8" ANN. - AIR SPACE - 1/8" ANN. |           |

### GENERAL NOTES

1. THIS PRODUCT IS DESIGNED TO COMPLY WITH THE FLORIDA BUILDING CODE.
2. PRODUCT ANCHORS SHALL BE AS LISTED AND SPACED AS SHOWN ON DETAILS.
3. WHEN THIS PRODUCT IS USED IN AN AREA REQUIRING WINDBORNE DEBRIS PROTECTION, FLORIDA BUILDING CODE APPROVED IMPACT RESISTANT SHUTTERS ARE REQUIRED.
4. ENDVENT ANCHORING TO EXISTING OPENING W/ EXISTING 1X BUCK STRIP TO MASONRY SEE SHEET 2 OF 2.

### PRODUCT DESCRIPTION

1. VINYL HORIZONTAL SLIDER WINDOW WITH MITERED AND WELDED CORNERS.
2. THE HEAD AND SIDE JAMBS ARE EXTRUDED VINYL WITH AN EXTERIOR WALL THICKNESS OF 0.070".
3. ALL FRAME PROFILES ALLOW OPTIONAL INSIDE AND OUTSIDE USE OF UV09 SNAP TRIM.
4. THE INTERIOR AND EXTERIOR MEETING STILE HAVE STEEL E2 OR ALUMINUM A2 REINFORCEMENT.

*Lyndon F. Schmidt*  
Lyndon F. Schmidt  
Florida P. E. No. 43409  
19506 French Lace Drive Lutz, FL 33558

Sears Home Improvement Products  
1024 Florida Central Parkway  
Longwood, FL 32750  
PH. 800.222.5030  
Fax. 407.332.8216

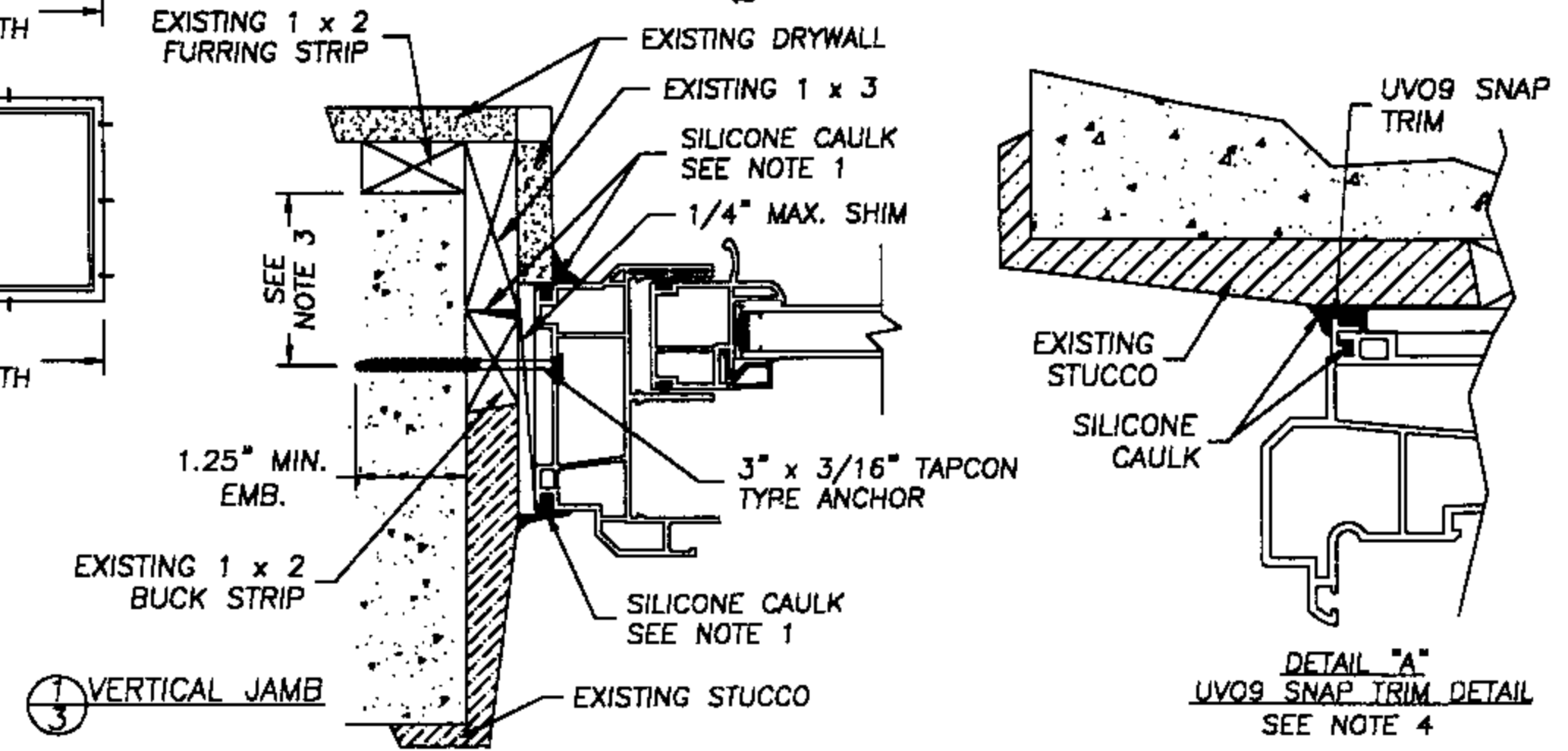
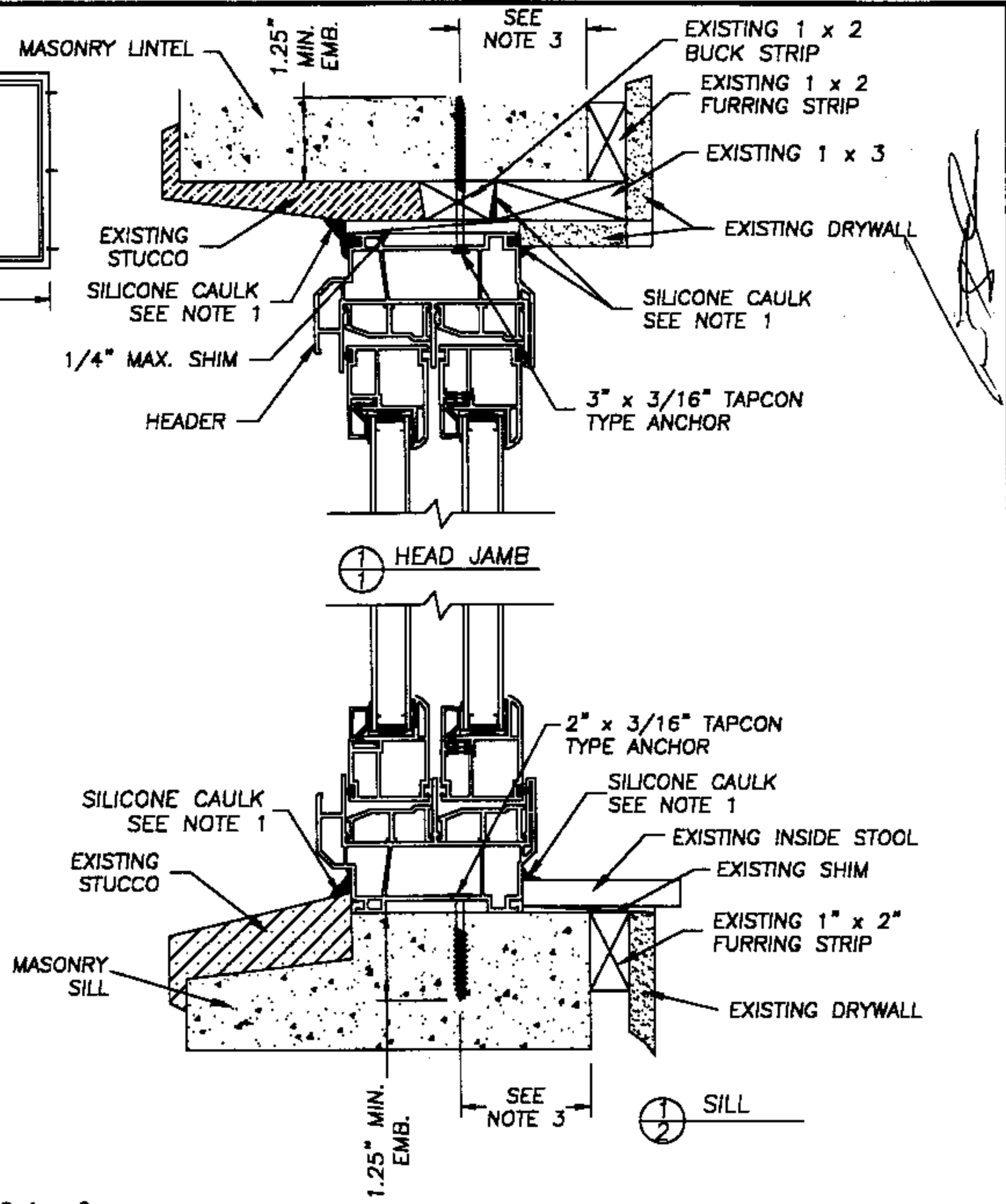
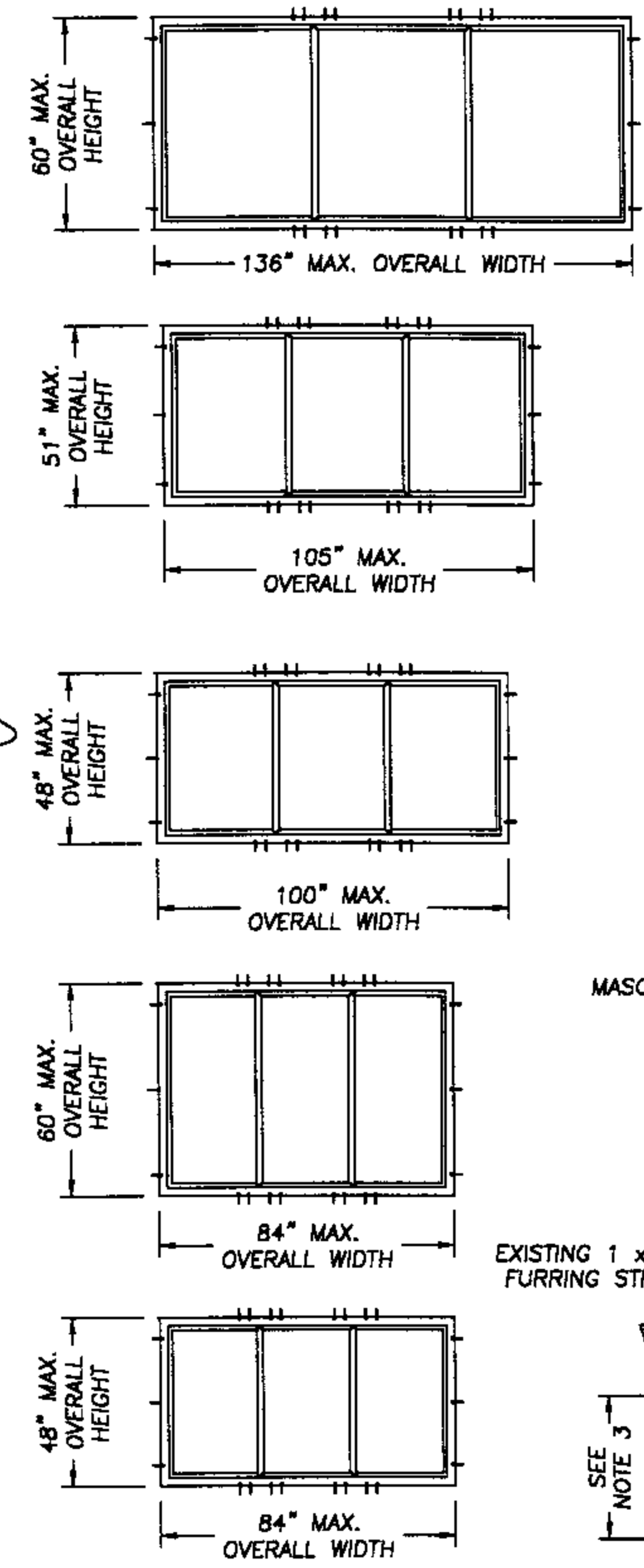
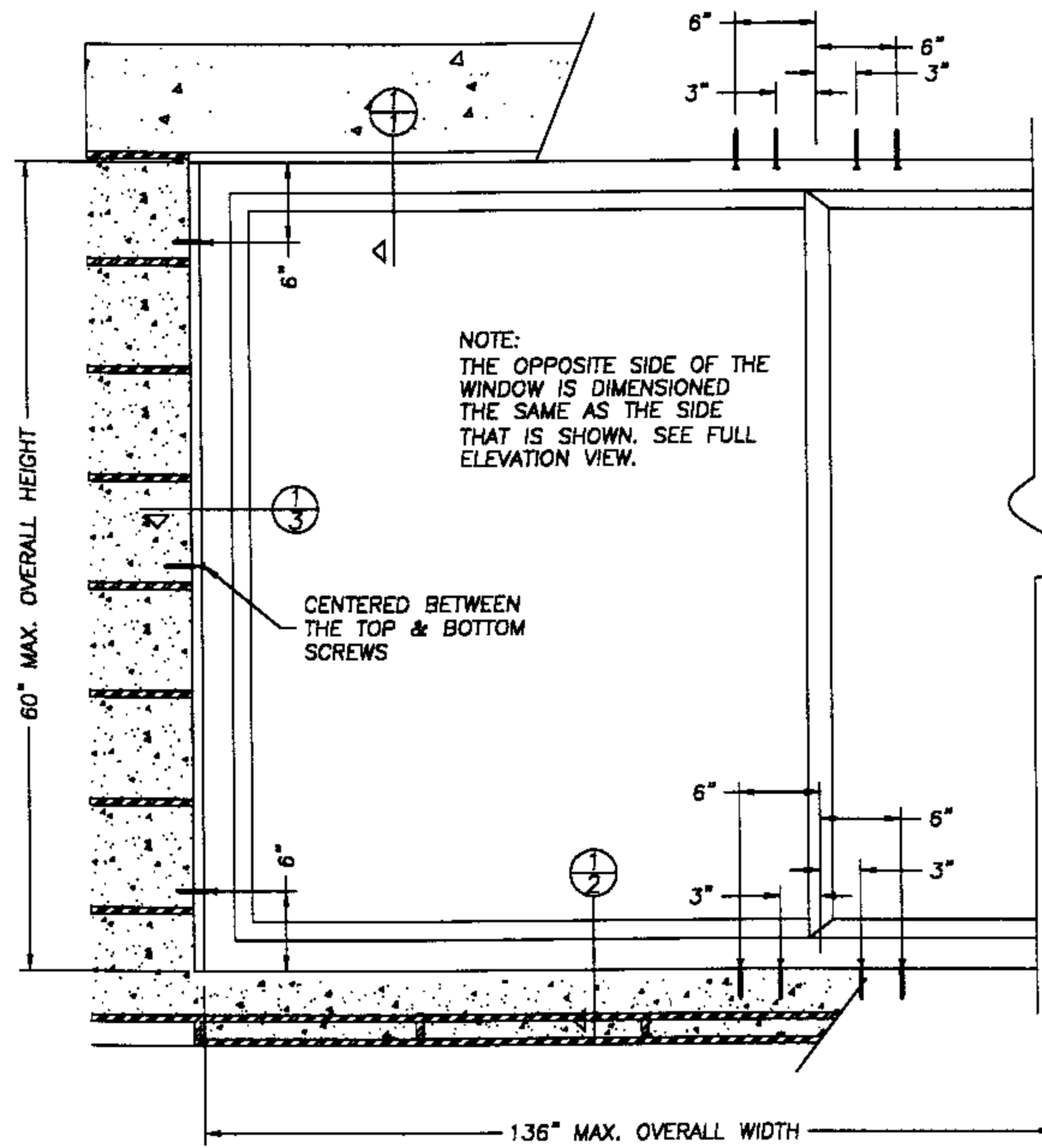


PRODUCT: SEARS  
EXTRUDED VINYL  
ENDVENT WINDOW  
PART OR ASSEMBLY:  
GENERAL NOTES &  
TYPICAL ELEVATIONS

| NO. | DATE | BY | REVISIONS |
|-----|------|----|-----------|
|     |      |    |           |
|     |      |    |           |
|     |      |    |           |
|     |      |    |           |

*RW* BUILDING  
CONSULTANTS, INC.  
813.659.9197

DATE: 07/15/02  
SCALE: N.T.S.  
DWG. BY: WLN  
CHK. BY: RW  
DRAWING NO.: SR-108-OC  
SHEET 1 OF 2



- NOTE:**
1. All interior and exterior perimeter surfaces of the window must be caulked. Caulk between existing 1 x 2 buck strip and existing 1 x 3 buck.
  2. Adjust Tapcon anchor locations, if necessary, to maintain a minimum 2.0" clearance from mortar joints.
  3. A minimum clearance of 2.0" from face of masonry must be maintained.
  4. The UVO9 Snap Trim is used as needed for cosmetic trim only on the head and side jambs. The trim groove on the frame must be filled with silicone before the trim is snapped into place.

JULY 30, 2002  
 Lyndon F. Schmidt  
 Florida P. E. No. 43409  
 19506 French Lace Drive  
 Lutz, FL 33558

**Sears Home Improvement Products**  
 1024 Florida Central Parkway  
 Longwood, FL 32750  
 PH. 800.222.5030  
 Fax. 407.332.8216

ANCHORING CROSS SECTIONS  
 EXISTING OPENING W/  
 1X BUCK STRIP TO MASONRY  
 ENDVENT VINYL WINDOW

**RW BUILDING CONSULTANTS, INC.**  
 813.659.9197

DATE: 07/15/02  
 SCALE: N.T.S.  
 DWG. BY: WLN  
 CHK. BY: RW  
 DRAWING NO.: SR-108-OC  
 SHEET 2 OF 2